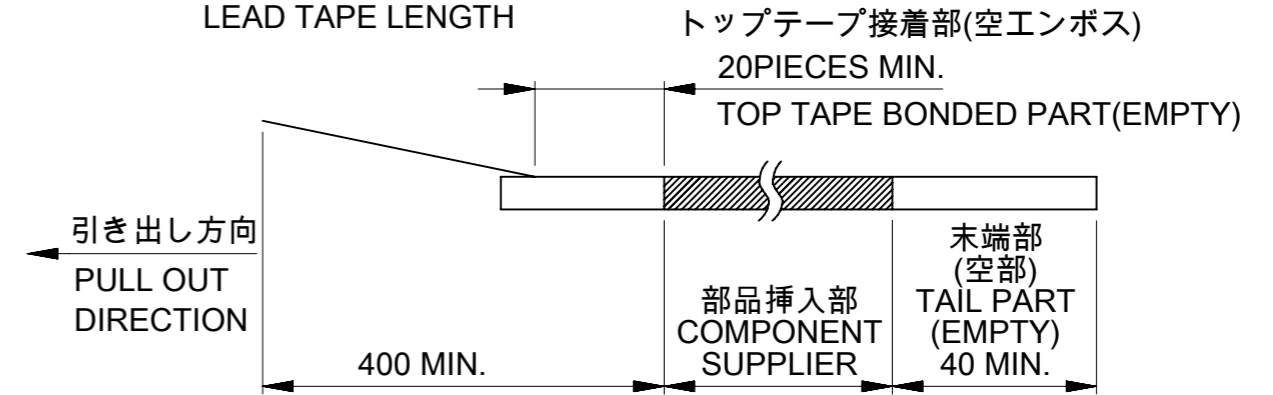


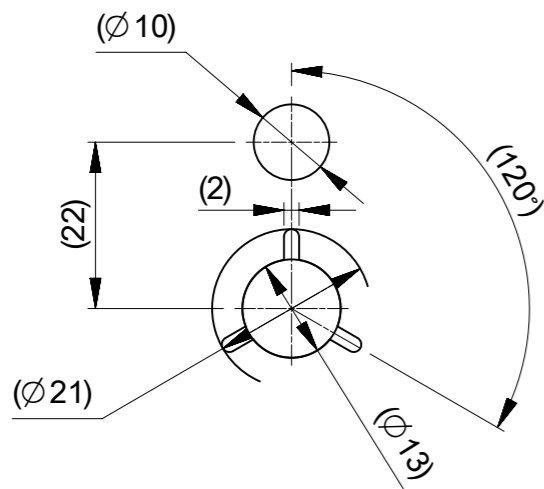
**NOTES**

- 製品詳細寸法は製品単体図面を参照して下さい。  
FOR DETAIL OF CONNECTOR DIMENSIONS, PLEASE SEE THE DRAWING OF CONNECTOR ITSELF (NOT PACKAGED).
- 梱包数量 : 1300個 / リール  
NUMBER OF CONNECTORS : 1300PIECES/REEL
- リードテープ長さ  
LEAD TAPE LENGTH



**4.材料**

**MATERIAL**  
 キャリアテープ : ポリスチレン(PS)  
 CARRIER TAPE : POLYSTYRENE  
 トップテープ : ポリエステル(PET)、その他  
 TOP TAPE: POLYESTER(PET), OTHER  
 リール : ポリスチレン(PS) <リサイクル材を含む>  
 REEL : POLYSTYRENE <RECYCLE MATERIAL CONTAINED>

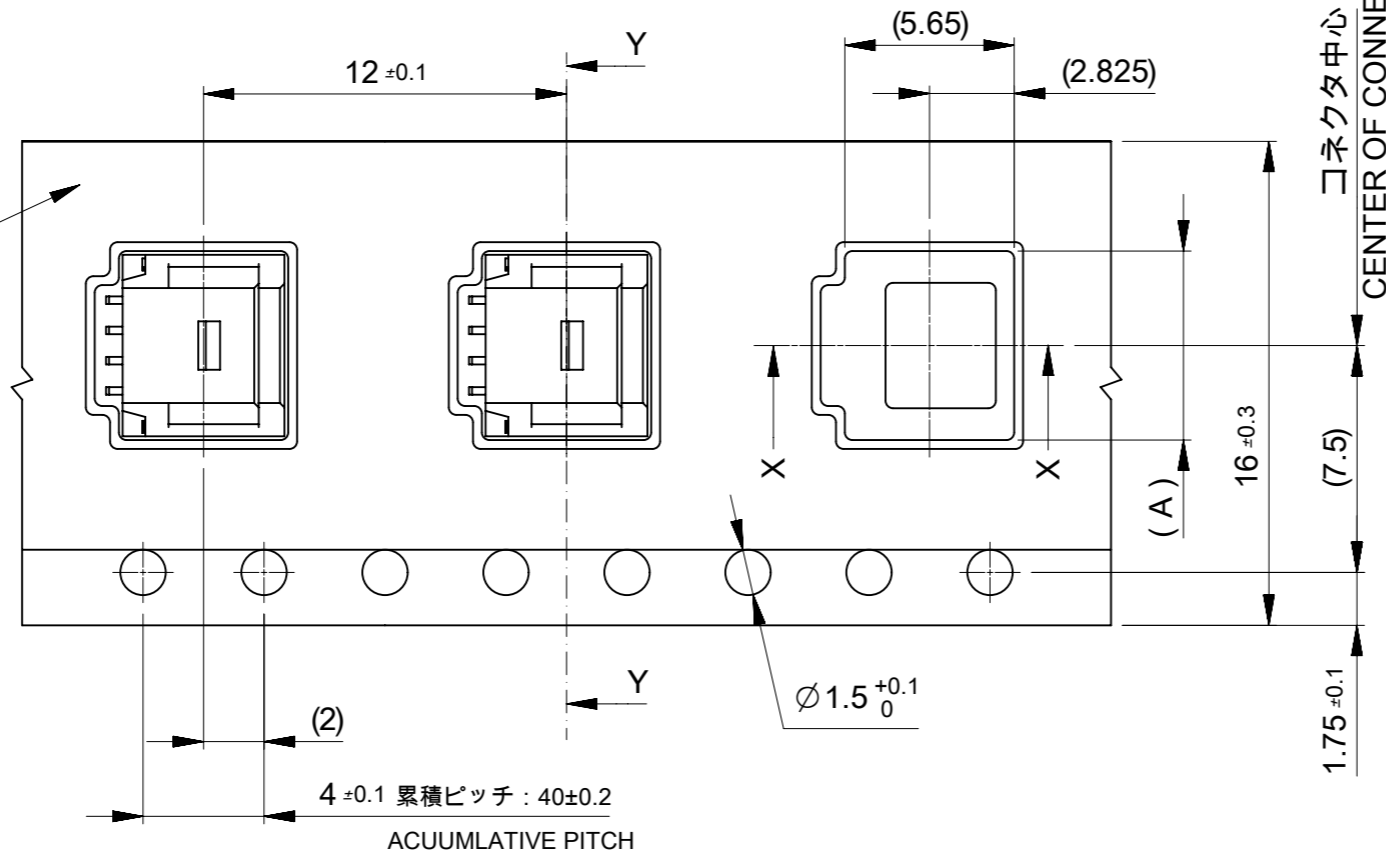


**DETAIL B**

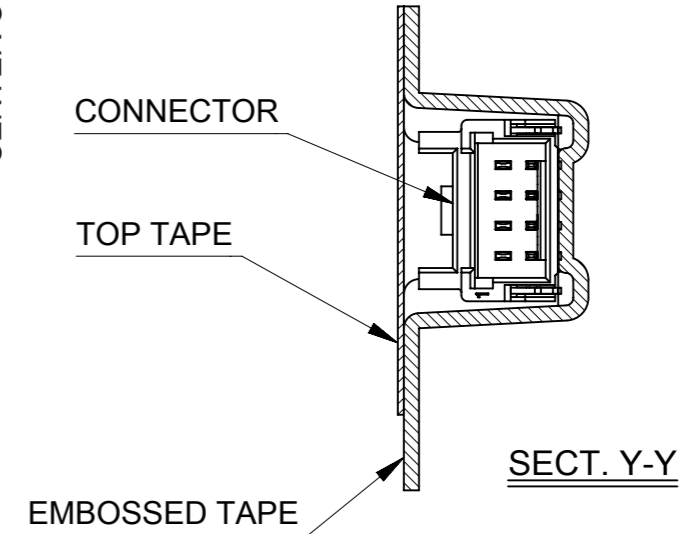
THIS DRAWING CONTAINS INFORMATION THAT IS PROPRIETARY TO MOLEX ELECTRONIC TECHNOLOGIES, LLC AND SHOULD NOT BE USED WITHOUT WRITTEN PERMISSION

EC NO: 168346 DRWN: KYAMADA02 CHK'D: SAKIYAMA APPR: TKANEKO	2017/11/27 2017/11/30 2017/12/01	GENERAL TOLERANCES (UNLESS SPECIFIED) ANGULAR TOL $\pm 3.0^\circ$	DIMENSION UNITS: mm SCALE: NTS			
	4 PLACES $\pm 0.2$ 3 PLACES $\pm 0.2$ 2 PLACES $\pm 0.2$ 1 PLACE $\pm 0.2$ 0 PLACES $\pm 0.2$	DRWN BY: KYAMADA02 DATE: 2017/11/27	PICO-CLASP 1.0W/B SINGLE-ROW R/A OUTER LOCK EMBSTP PKG(GOLD VERSION 0.1)			
	DRAFT WHERE APPLICABLE MUST REMAIN WITHIN DIMENSIONS	CHK'D BY: SAKIYAMA DATE: 2017/11/30	PRODUCT CUSTOMER DRAWING			
	A3 THIRD ANGLE PROJECTION	APPR BY: TKANEKO DATE: 2017/12/01	SERIES: 501953 MATERIAL NUMBER: SEE CHART CUSTOMER: GENERAL	DOCUMENT NUMBER: 5019530305-SD DOC TYPE: PSD DOC PART: 000 SHEET NUMBER: 1 OF 2		

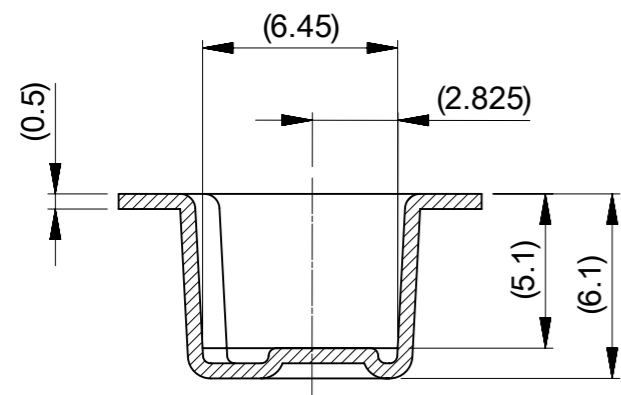
16幅テープ  
16 WIDTH TAPE



コネクタ中心  
CENTER OF CONNECTOR



SECT. Y-Y

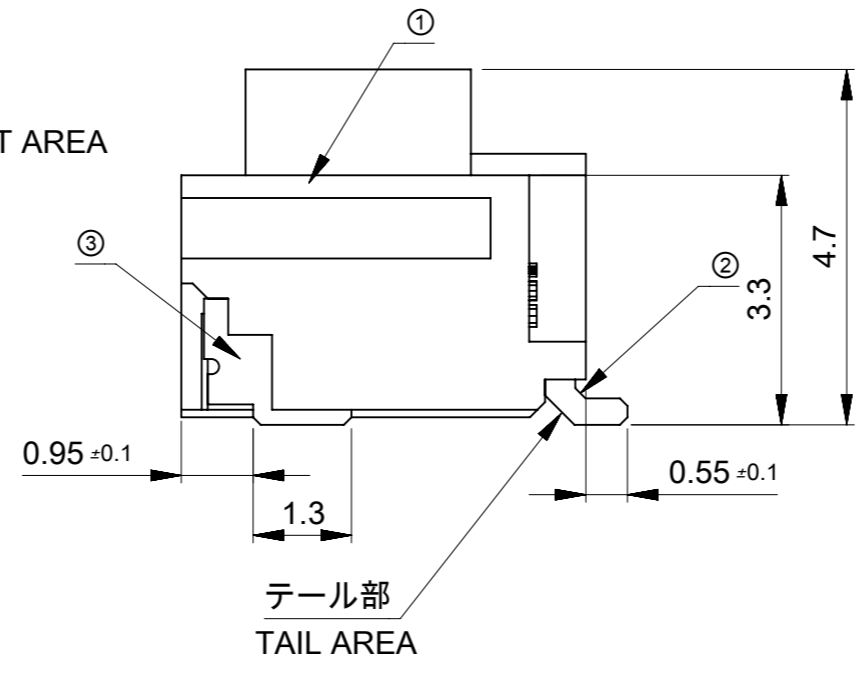
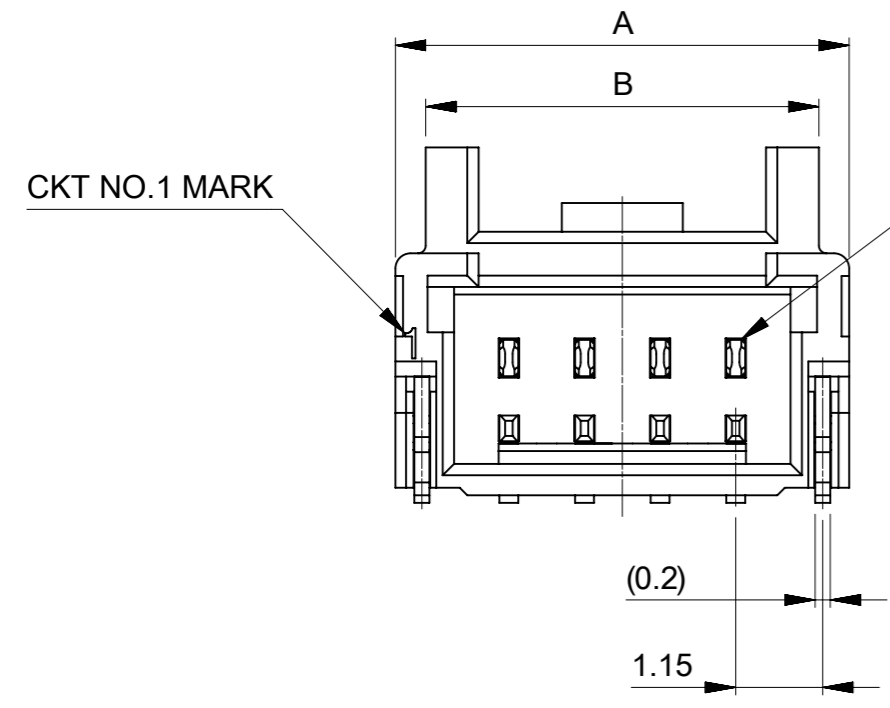
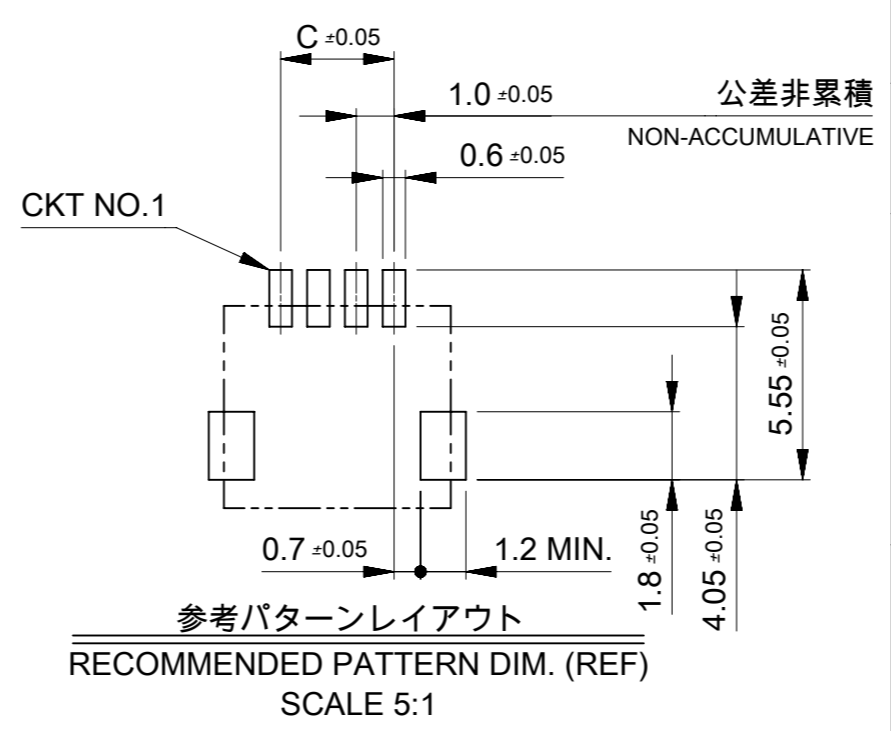
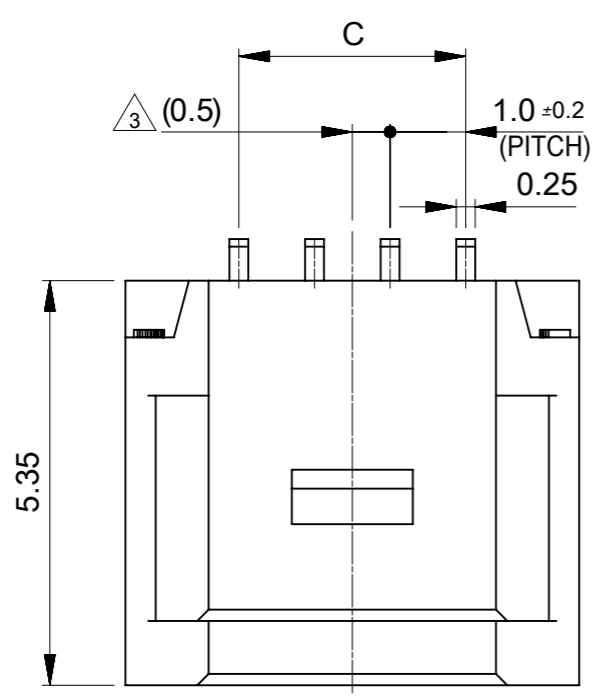


SECT. X-X

7.3	5019530505	5
6.3	5019530405	4
5.3	5019530305	3
(A)	EMBOSSSED PACKAGE	極数
	オーダー番号 ORDER NO.	CIRCUITS
CONNECTOR SERIES NO. 501953**06		

THIS DRAWING CONTAINS INFORMATION THAT IS PROPRIETARY TO MOLEX ELECTRONIC TECHNOLOGIES, LLC AND SHOULD NOT BE USED WITHOUT WRITTEN PERMISSION

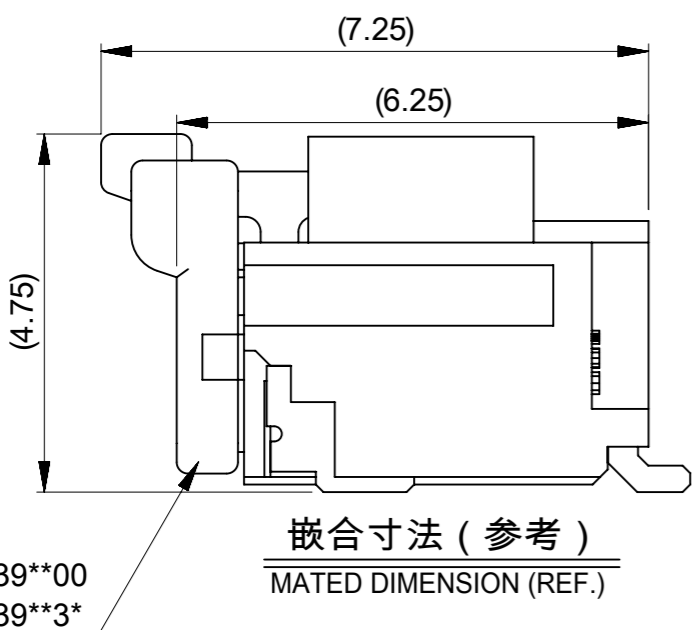
EC NO: 168346 DRWN: KYAMADA02 CHK'D: SAKIYAMA APPR: TKANEKO	2017/11/27 2017/11/30 2017/12/01	GENERAL TOLERANCES (UNLESS SPECIFIED) ANGULAR TOL ± 3.0 ° 4 PLACES ± 0.2 3 PLACES ± 0.2 2 PLACES ± 0.2 1 PLACE ± 0.2 0 PLACES ± 0.2	DIMENSION UNITS: mm SCALE: NTS DRWN BY: KYAMADA02 DATE: 2017/11/27 CHK'D BY: SAKIYAMA DATE: 2017/11/30 APPR BY: TKANEKO DATE: 2017/12/01	<b>molex</b> PICO-CLASP 1.0W/B SINGLE-ROW R/A OUTER LOCK EMBSTP PKG(GOLD VERSION 0.1)
	DRAFT WHERE APPLICABLE MUST REMAIN WITHIN DIMENSIONS		DRAWING SIZE: A3 THIRD ANGLE PROJECTION	PRODUCT CUSTOMER DRAWING
			SERIES: 501953 MATERIAL NUMBER: SEE CHART CUSTOMER: GENERAL	
			DOCUMENT NUMBER: 5019530305-SD DOC TYPE: PSD DOC PART: 000 SHEET NUMBER: 2 OF 2	



番号 NO.	部品 PART	材質 MATERIAL
①	ウエハー WAFER	ポリアミド UL94V-0 色 : 自然色 POLYAMIDE, UL94V-0, COLOR:NATURAL
②	ソルダーピン SOLDER PIN	りん青銅 PHOSPHOR BRONZE 金めっき(接触部) : 0.1 MICRO METER MIN. GOLD PLATING (CONTACT AREA) 金めっき(テール部):0.05 MICRO METER MINIMUM. GOLD PLATING (TAIL AREA) ニッケルめっき(下地):1.0 MICRO METER MIN. NICKEL(UNDER PLATING)
③	ネイル NAIL	黄銅 BRASS 錫めっき:1.0 MICRO METER MIN. TIN ニッケルめっき(下地):1.0 MICRO METER MIN. NICKEL(UNDER PLATING)

NOTES.  
 1. 嵌合相手 : 501939\*\*\*\*  
 MATE WITH :501939\*\*\*\*  
 2. ソルダーピン及びネイル平坦度は、0.1MAX.  
 SOLDER PIN AND NAIL COPLANARITY TO BE 0.1MAX.  
 ③ 極数 = 偶数に適用  
 APPLY FOR CKT SIZE=EVEN

4.0	5.2	7.0	5019530505	5
3.0		6.0	5019530405	4
2.0	4.2	5.0	5019530305	3
C	B	A	EMBOSSED PACKAGE	極数
			オーダー番号 ORDER NO.	CIRCUITS
CONNECTOR SERIES NO. 501953**06				



THIS DRAWING CONTAINS INFORMATION THAT IS PROPRIETARY TO MOLEX ELECTRONIC TECHNOLOGIES, LLC AND SHOULD NOT BE USED WITHOUT WRITTEN PERMISSION

EC NO: 168346 DRWN: KYAMADA02 CHK'D: SAKIYAMA APPR: TKANEKO	2017/11/27	2017/11/30	2017/12/01	GENERAL TOLERANCES (UNLESS SPECIFIED)	DIMENSION UNITS	SCALE		
				ANGULAR TOL ± 3.0 °	mm	10:1		
	4 PLACES	± 0.2			DRWN BY	DATE		PICO-CLASP 1.0W/B SINGLE-ROW RA OUTER LOCK WAFER ASSY(GOLD VERSION 0.1)
	3 PLACES	± 0.2		KYAMADA02	2017/11/27			
	2 PLACES	± 0.2			CHK'D BY	DATE		PRODUCT CUSTOMER DRAWING
1 PLACE	± 0.2		SAKIYAMA	2017/11/30				
0 PLACES	± 0.2			APPR BY	DATE	SERIES: 501953 MATERIAL NUMBER: SEE TABLE CUSTOMER: GENERAL		
				DRAFT WHERE APPLICABLE MUST REMAIN WITHIN DIMENSIONS	DRAWING SIZE	THIRD ANGLE PROJECTION	DOCUMENT NUMBER: 5019530306-SD DOC TYPE: PSD DOC PART: 000 SHEET NUMBER: 1 OF 1	