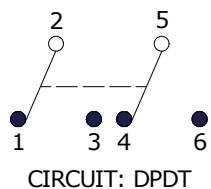
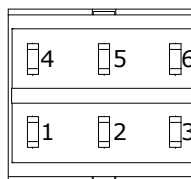
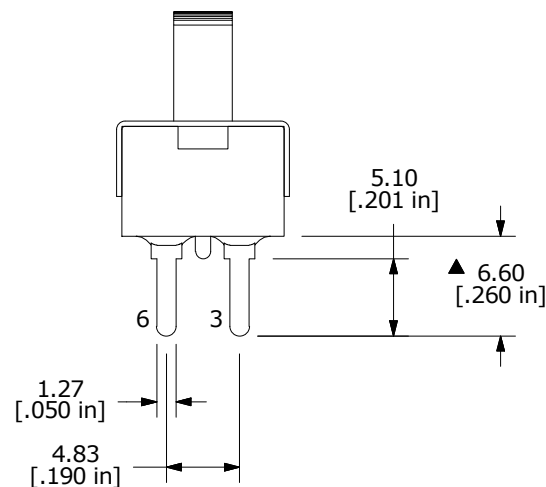
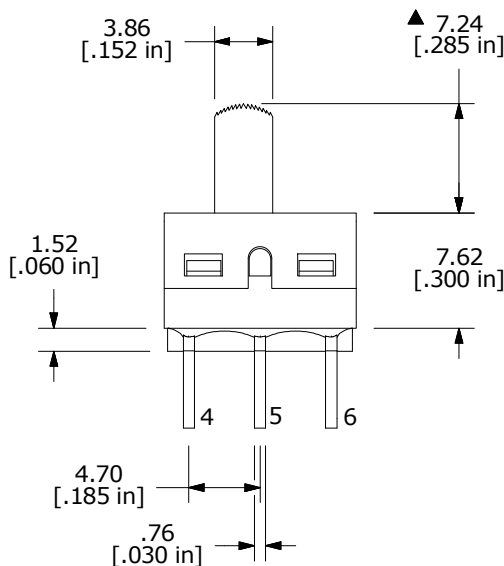
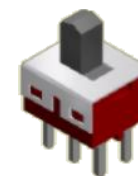
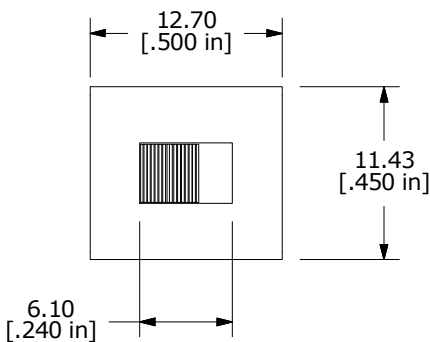


▲ SWITCH FUNCTION		
POS. 1	POS. 2	POS. 3
ON	NONE	ON
2-1, 5-4	N/A	2-3, 5-6



- NOTE:
1. ALL DIMENSIONS IN MM [INCH]
 2. GENERAL TOLERANCE: X.X = ±0.4
X.XX = ±0.25
 3. TERMINAL NUMBERS FOR REF ONLY
 4. PLATING MATERIAL: SILVER
 5. CONTACT RATING: 5A@120VAC or 28VDC
2A@250VAC
 6. TRAVEL: 2.16mm
 7. ELECTRIC LIFE: 30,000 ACTUATIONS AT FULL LOAD.
 8. CONTACT RESISTANCE: 10 milli-OHMS TYP.
 9. INSULATION RESISTANCE: 1,000 MEGA-OHM MIN.
 10. DIELECTRIC STRENGTH: 1,000 V RMS @SEA LEVEL
 11. OPERATING TEMP.: -30°C to 85°C
 12. ▲ DENOTES CRITICAL PARAMETER.
 13. 2011/65/EU (ROHS) COMPLIANT



D	22946	correct drawing Title	7/31/17	MW
C	19567	DRAWING UPDATE / CLEAN-UP	1/7/11	BGL
REV	PCR NO	DESCRIPTION	DATE	BY

TITLE 500SDP1S2M2QEA				
SCALE 2:1	DATE 1/7/2011	DR BGL	DWG T521008	REV D

THE INFORMATION CONTAINED IN THIS DOCUMENT IS PROPRIETARY TO E-SWITCH AND IS NOT TO BE COPIED OR TRANSFERRED