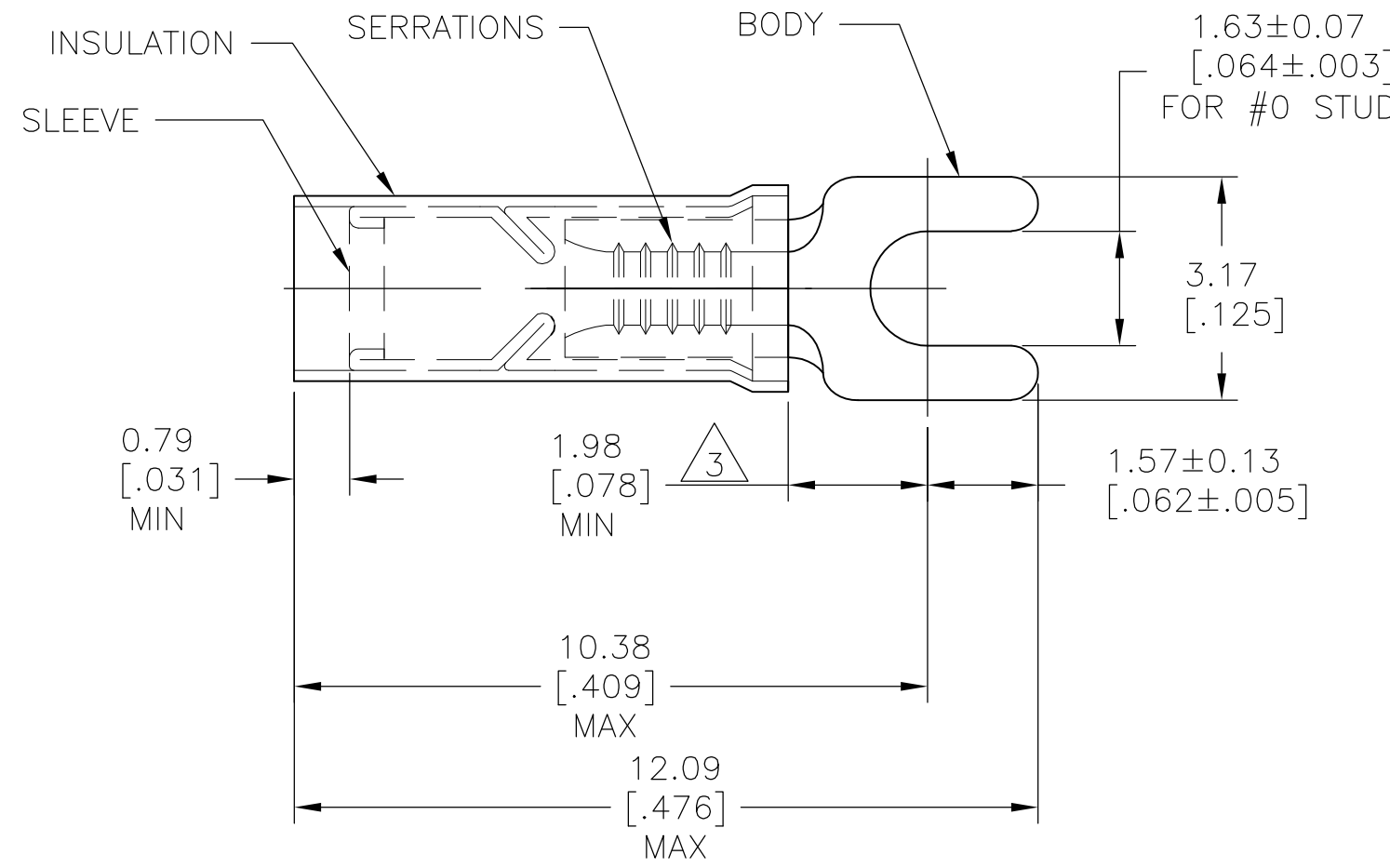


THIS DRAWING IS UNPUBLISHED. RELEASED FOR PUBLICATION
 © COPYRIGHT - By - ALL RIGHTS RESERVED.

| LOC | DIST | REVISIONS | | | | | |
|-----|------|-----------|-----|-------------------------------|---------|-----|------|
| | | P | LTR | DESCRIPTION | DATE | DWN | APVD |
| - | - | | H1 | NEW DRAWING PER ECO-11-019045 | 03APR12 | KH | DR |

AMP
WIRE RANGE

26-22 AWG
STRANDED



- 1 FOR WIRE INSULATION DIA: 1.27-2.08[.050-.082]
- 2 TONGUE MATERIAL THK: 0.46±0.05[.018±.002]
- 3 DIMENSION APPLIES FROM EDGE OF METAL WIRE BARREL TO CENTER OF STUD.
- 4 MATERIAL: BODY & SLEEVE: COPPER PER ASTM B152. INSULATION : NYLON
- 5 FINISH: BODY & SLEEVE: TIN PLATE PER ASTM B545. INSULATION: COLOR-YELLOW.

| | | |
|------|--------------|---------|
| 1000 | LOOSE PIECE | 322001 |
| QTY | PACKAGE TYPE | PART NO |

**AMP INCORPORATED
CUSTOMER SERVICE SYSTEMS**

| | | |
|--|--|---|
| FOR ADDITIONAL PRODUCT INFORMATION OR COPIES OF DRAWINGS AND TECHNICAL DOCUMENTS | PRODUCT INFORMATION CENTER 1-800-522-6752 | RECOMMENDED OPERATING TEMPERATURE: - |
| FOR APPLICATION TOOLING INFORMATION | TOOLING ASSISTANCE CENTER 1-800-722-1111 | VOLTAGE RATING: - |
| FOR ORDER ENTRY | 1-800-526-5142 | WIRE CROSS SECTIONAL AREA RANGE: 0.10-0.41mm ² [202-810] CIR.MIL STRANDED |

THIS DRAWING IS A CONTROLLED DOCUMENT.

| | |
|----------------------------|--|
| DIMENSIONS: mm [INCHES] | TOLERANCES UNLESS OTHERWISE SPECIFIED: |
| | 0 PLC ± - |
| | 1 PLC ± - |
| | 2 PLC ± 0.20[.008] |
| | 3 PLC ± - |
| | 4 PLC ± - |
| | ANGLES ± 5° |
| MATERIAL | FINISH |
| 4 | 5 |

| | | |
|---------------------------------|---|---------------|
| DWN KIRAN HOLAL 03APR12 | TE Connectivity WIRE TERMINAL P.I.D.G™ SPADE WIRE SIZE 26-22 | RESTRICTED TO |
| CHK ROHDE DANIEL 03APR12 | | - |
| APVD ROHDE DANIEL 03APR12 | | NAME |
| PRODUCT SPEC | | SIZE |
| APPLICATION SPEC | CAGE CODE | DRAWING NO |
| WEIGHT | A300779 | C-322001 |
| CUSTOMER DRAWING | SCALE | SHEET |
| | 6:1 | 1 OF 1 |
| | REV | H1 |