

CURRENT TRANSFORMER

Model 2

Window Diameters

1.00", 1.05", 1.13"

Application:

Generally for ammeter use only.

Frequency:

50 - 400 Hz

Insulation Level:

600 Volts, 10 kv BIL full wave

Rating Factor:

2.0 @ 30°C amb.



E228202

• Flexible leads are UL 1015 105°C, CSA approved

□ #16 AWG, 24" long

• Non-standard length to be specified.

• Terminals are brass studs No. 8 - 32 UNC with

□ one flat washer, lockwasher and regular nut.

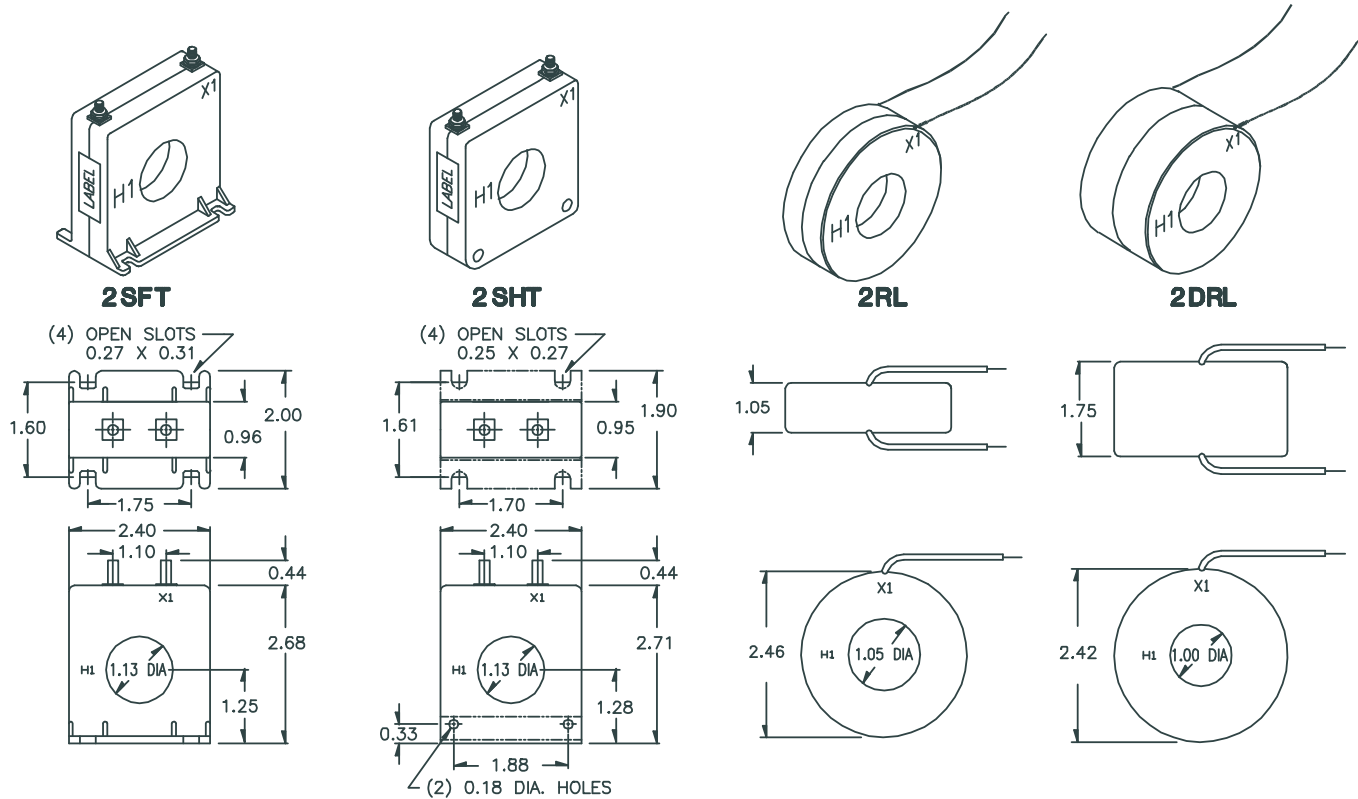
• SHT and SFT case styles also available as

□ SHL SFL with leads.

• Mounting bracket kit A when required for

□ Model 2SHT.

• Approximate weight: 0.5 lb.



CATALOG NUMBER	CURRENT RATIO	MODELS 2SFT, 2SHT, 2RL		MODEL 2DRL	
		ACCURACY AT 60 Hz	BURDEN VA AT 60 Hz	ACCURACY AT 60 Hz	BURDEN VA at 60 Hz
2**-500	50:5	± 3 %	2.0	± 2 %	1.5
2**-600	60:5	± 2 %	2.0	± 1 %	2.5
2**-750	75:5	± 2 %	2.0	± 1 %	3.5
2**-800	80:5	± 2 %	2.0	± 1 %	4.0
2**-101	100:5	± 1 %	2.0	± 1 %	5.0
2**-121	120:5	± 1 %	2.5	± 1 %	5.0
2**-1250	125:5	± 1 %	2.5	± 1 %	5.0
2**-151	150:5	± 1 %	4.0	± 1 %	8.0
2**-201	200:5	± 1 %	4.0	± 1 %	10.0
2**-251	250:5	± 1 %	6.0	± 1 %	12.5
2**-301	300:5	± 1 %	8.0	± 1 %	15.0
2**-401	400:5	± 1 %	10.0	± 1 %	20.0

** NOTE: When ordering, prefix Cat. No. with model designation required, i.e. 2SFT-301, 2RL-301, OR 2DRL-301, etc.