

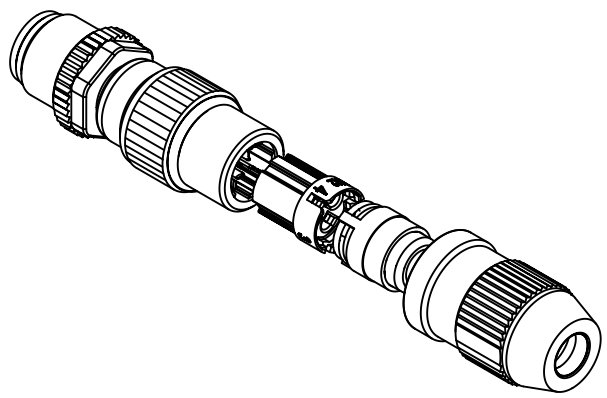
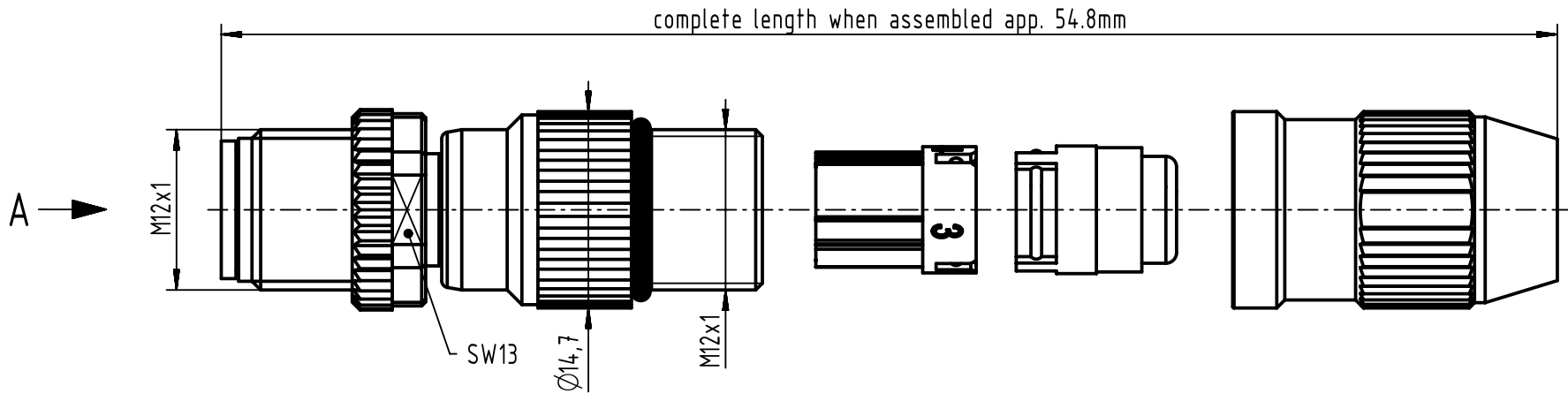
1 2 3 4 5 6

A

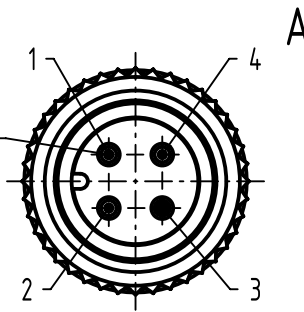
B

C

D



contact face acc. to IEC 61076-2-101



conductor cross section	0.25 - 0.5mm ² AWG24(7)-AWG22
cable outside diameter	4.0 - 5.1mm

	All Dimensions in mm Original Size DIN A4	Scale 2:1	Free size tol.			Ref.
	All rights reserved Department EC PD - DE	Created by HELLMANN	Inspected by EISFELD	Standardisation HOFFMANN	Date 2016-05-30	State Final Release
HARTING Electronics GmbH D-32339 Espelkamp		Title HARTING M12 male 4-pole				Doc-Key / ECM-Nr. 100196248/UGD/002/C 500000103382
		Type TB	Number 21031121405			Rev. C Page 1/1