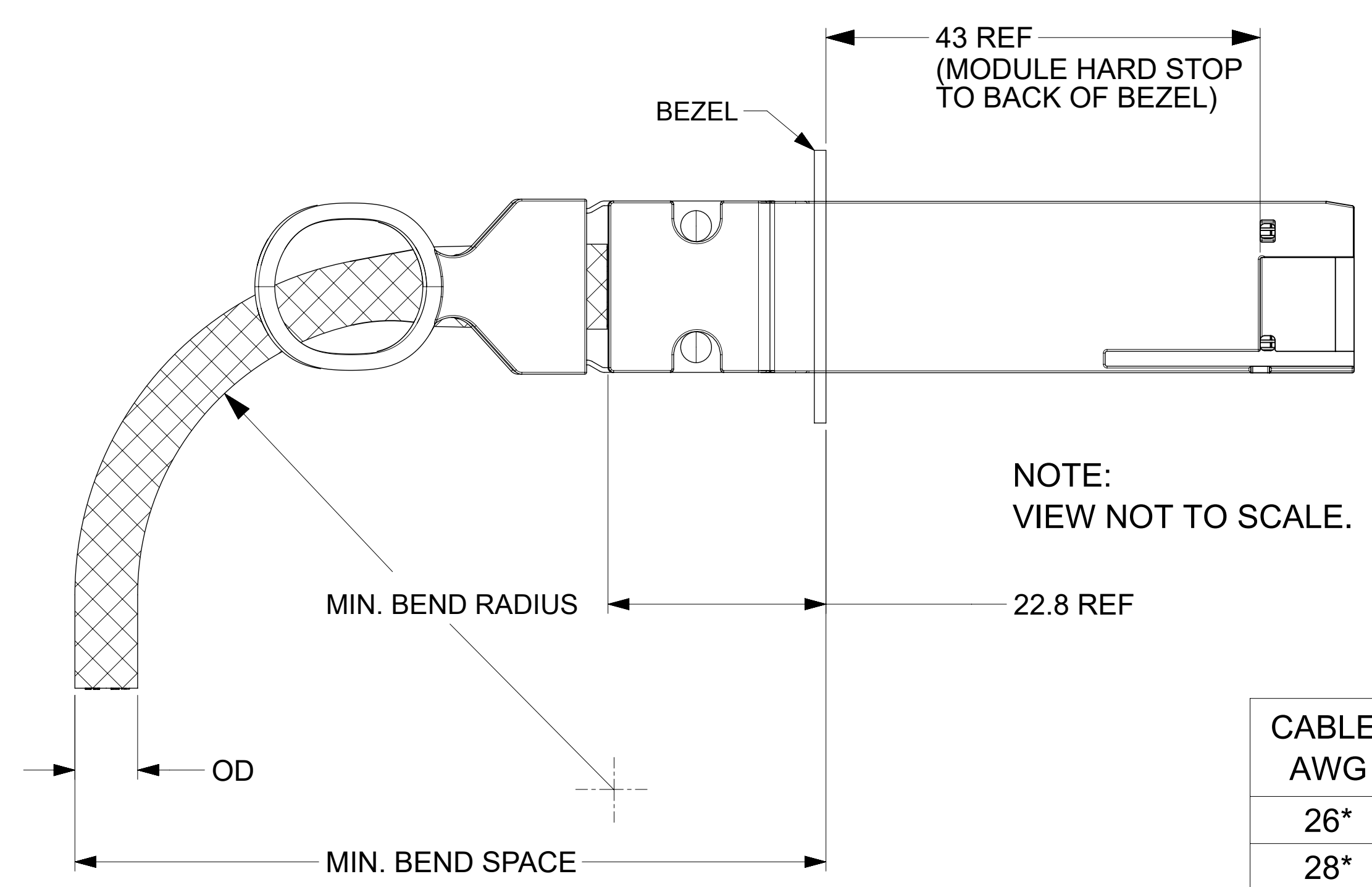


- NOTES:**
1. CABLE LENGTH DEPENDS ON WIRE GAUGE, DATA RATE, AND HOST BOARD DRIVER CAPABILITIES
 2. MATERIALS:
 BACKSHELLS - ZINC DIE CAST WITH BRIGHT NICKEL PLATING
 DELATCH - STAINLESS STEEL WITH OVERMOLDED NYLON
 RIVETS - STAINLESS STEEL
 3. IMPEDANCE - 100 OHMS DIFFERENTIAL
 4. EEPROM MAP AVAILABLE UPON REQUEST
 5. RoHS COMPLIANT, NO EXEMPTIONS

FUNCTIONAL SYMBOLS $F_A = 0$ $F_C = 0$ $F_P = 0$ DIVISIONAL SYMBOLS	THIS DRAWING CONTAINS INFORMATION THAT IS PROPRIETARY TO MOLEX ELECTRONIC TECHNOLOGIES, LLC AND SHOULD NOT BE USED WITHOUT WRITTEN PERMISSION		CURRENT REV DESC: SHEET4 : ADDED 1M AND 1.5M LENGTH TO PN TABLE		
	mm	SCALE 2:1	GENERAL TOLERANCES (UNLESS SPECIFIED)		
	ANGULAR TOL ± 5.0°		EC NO: 660218		
	4 PLACES ±		DRWN: KNAGANNA 2021/04/06		
3 PLACES ±		CHK'D: SKAMATHN 2021/04/07		PRODUCT CUSTOMER DRAWING	
2 PLACES ± 0.13		APPR: KNAGANNA 2021/04/07		DOCUMENT NUMBER	
1 PLACE ± 0.25		INITIAL REVISION: DRWN: RWHIPPLE 2020/07/17		2015913106	
0 PLACES ±		APPR: MGARRISON 2020/07/20		DOC TYPE DOC PART REVISION	
DRAFT WHERE APPLICABLE MUST REMAIN WITHIN DIMENSIONS		THIRD ANGLE PROJECTION		PSD 000 D	
		DRAWING SERIES		MATERIAL NUMBER CUSTOMER SHEET NUMBER	
		D-SIZE 201591		SEE P/N TABLE GENERAL MARKET 1 OF 4	

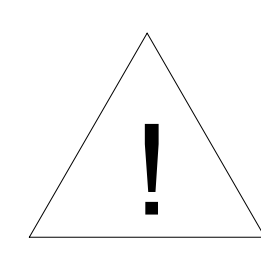
DOCUMENT STATUS	P1	RELEASE DATE	2021/04/07	11:06:28
-----------------	----	--------------	------------	----------

CABLE BEND RADIUS

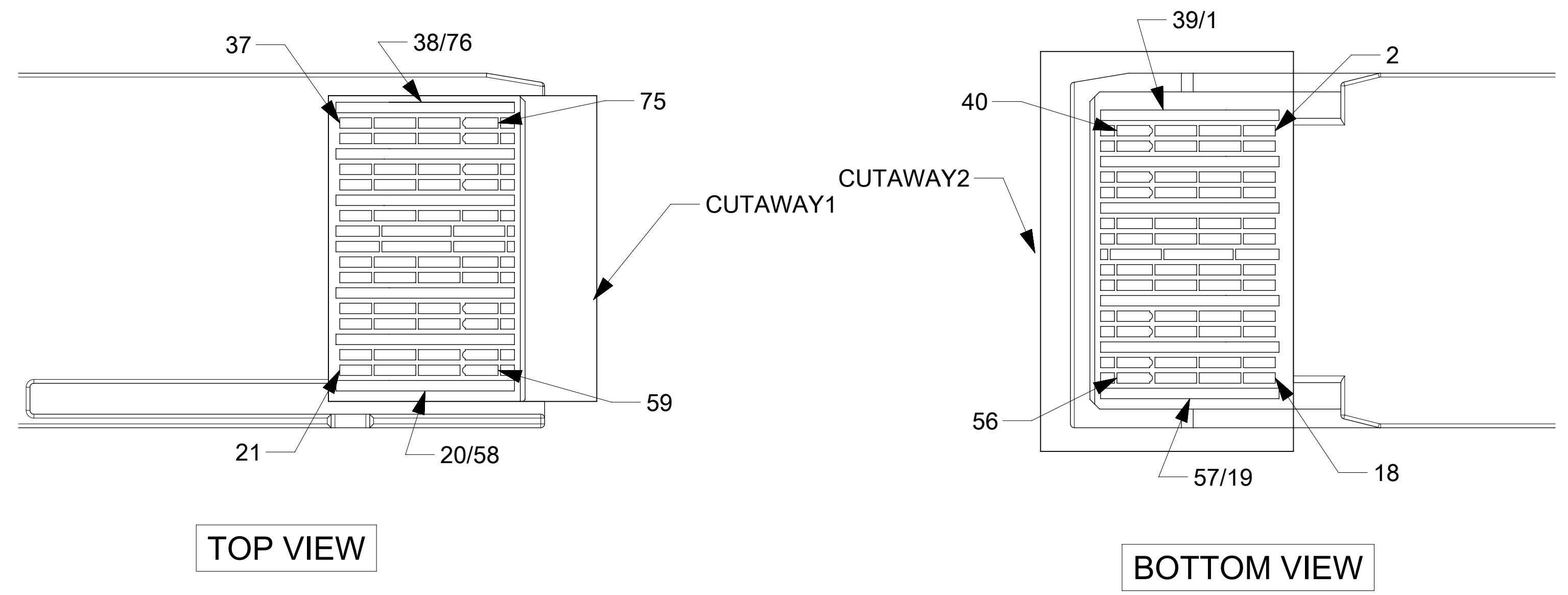


NOTE:
VIEW NOT TO SCALE.

CABLE AWG	OD (mm)	MIN BEND RADIUS (mm)	MIN BEND SPACE (mm)
26*	(13)	(65)	(101)
28*	(11)	(55)	(89)



*MINIMUM BEND RADIUS PENDING QUALIFICATION. NUMBERS ABOVE ARE ESTIMATES AND SUBJECT TO CHANGE.



- NOTES:
- DC BLOCKING CAPS ON RECEIVE SIDE ONLY
 - CABLE COILED AND PACKAGED IN BEST FIT ESD BAG AND SEALED WITH ESD LABEL FOR SHIPPING

FUNCTIONAL SYMBOLS $F_A = 0$ $F_C = 0$ $F_D = 0$	THIS DRAWING CONTAINS INFORMATION THAT IS PROPRIETARY TO MOLEX ELECTRONIC TECHNOLOGIES, LLC AND SHOULD NOT BE USED WITHOUT WRITTEN PERMISSION		CURRENT REV DESC: SHEET4 : ADDED 1M AND 1.5M LENGTH TO PN TABLE				
	DIMENSION UNITS	SCALE	GENERAL TOLERANCES (UNLESS SPECIFIED)				
	mm	20:1	ANGULAR TOL $\pm 5.0^\circ$				
	4 PLACES \pm		3 PLACES \pm				
3 PLACES \pm		2 PLACES ± 0.13					
2 PLACES \pm		1 PLACE ± 0.25					
1 PLACE \pm		0 PLACES \pm					
DRAFT WHERE APPLICABLE MUST REMAIN WITHIN DIMENSIONS		THIRD ANGLE PROJECTION	DRAWING	SERIES	MATERIAL NUMBER	CUSTOMER	SHEET NUMBER
			D-SIZE	201591	SEE P/N TABLE	GENERAL MARKET	2 OF 4

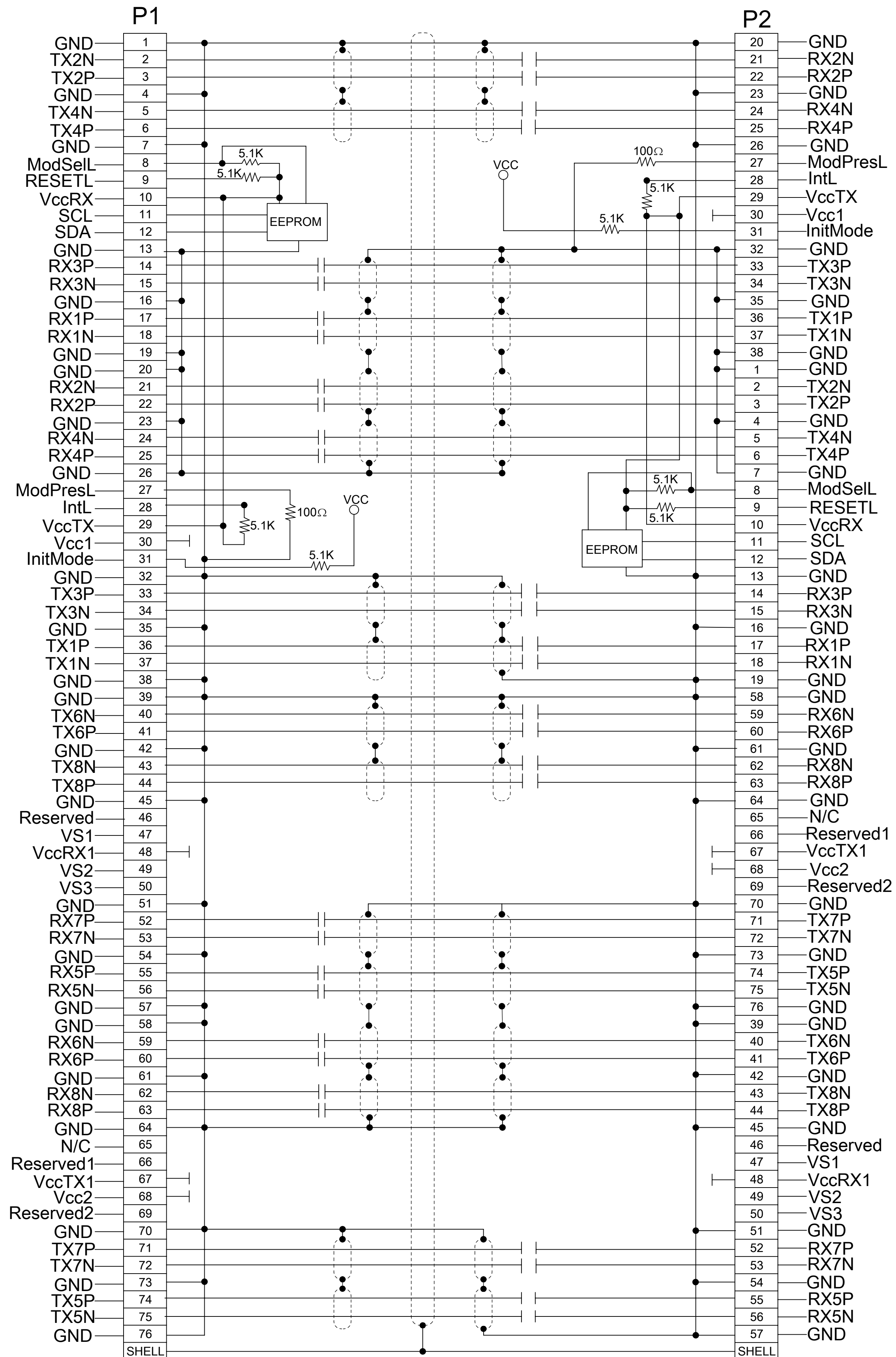
molex

QSFP-DD TO QSFP-DD 56G PASSIVE CABLE ASY

PRODUCT CUSTOMER DRAWING

DOCUMENT NUMBER: 2015913106 DOC TYPE: PSD DOC PART: 000 REVISION: D

WIRING DIAGRAM



FUNCTIONAL SYMBOLS	THIS DRAWING CONTAINS INFORMATION THAT IS PROPRIETARY TO MOLEX ELECTRONIC TECHNOLOGIES, LLC AND SHOULD NOT BE USED WITHOUT WRITTEN PERMISSION		
$\nabla_A = 0$	DIMENSION UNITS	SCALE	CURRENT REV DESC: SHEET4 : ADDED 1M AND 1.5M LENGTH TO PN TABLE
$\nabla_C = 0$	mm	1:1	
$\nabla_P = 0$	GENERAL TOLERANCES (UNLESS SPECIFIED)		
	ANGULAR TOL	$\pm 5.0^\circ$	
DIVISIONAL SYMBOLS	4 PLACES	\pm	
	3 PLACES	\pm	
	2 PLACES	± 0.13	
	1 PLACE	± 0.25	
	0 PLACES	\pm	
DRAFT WHERE APPLICABLE MUST REMAIN WITHIN DIMENSIONS		THIRD ANGLE PROJECTION	DRAWING SERIES
			D-SIZE 201591
		MATERIAL NUMBER	CUSTOMER
		2015913106	GENERAL MARKET
		DOCUMENT NUMBER	DOC TYPE DOC PART REVISION
		2015913106	PSD 000 D
		INITIAL REVISION:	SHEET NUMBER
		DRWN: RWHIPPLE 2020/07/17	3 OF 4
		APPR: MGARRISON 2020/07/20	

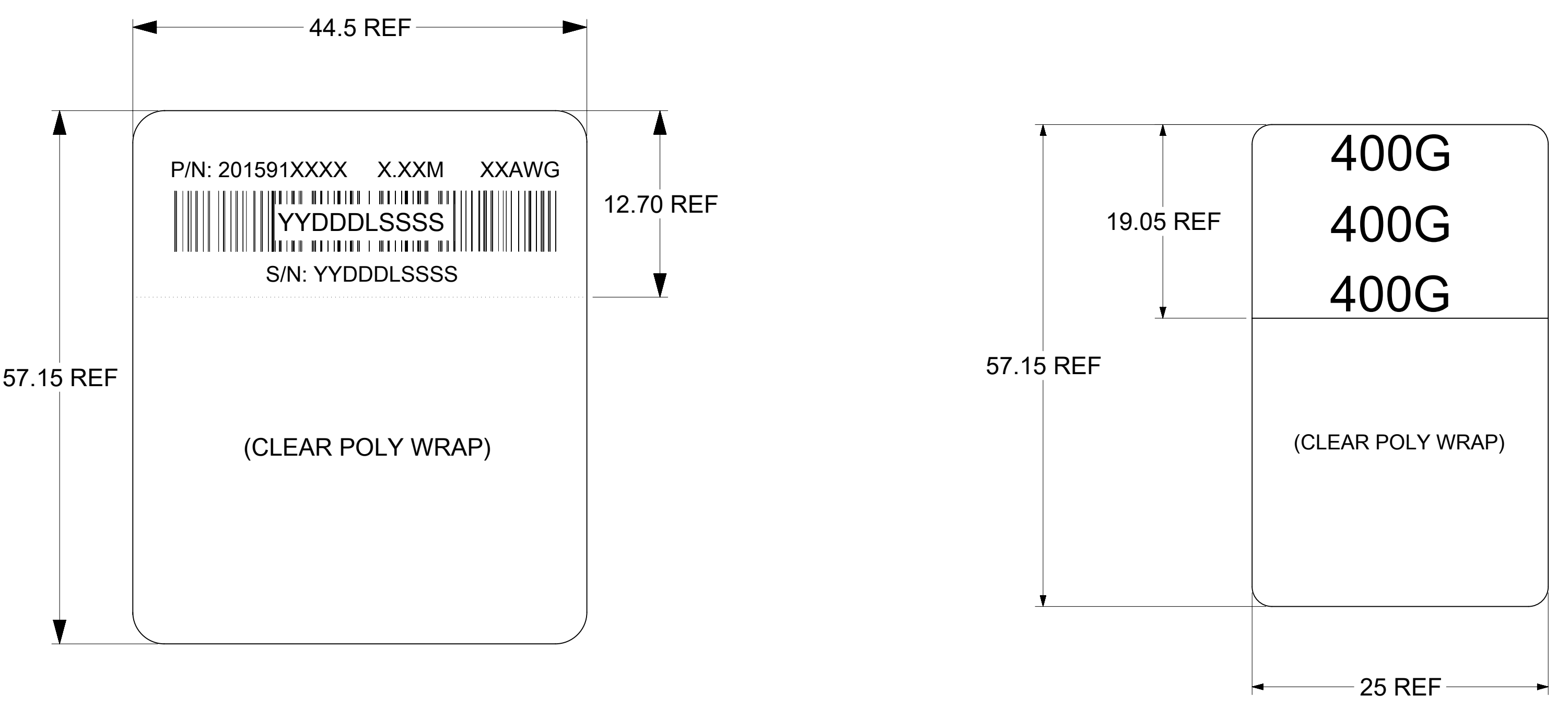
molex

QSFP-DD TO QSFP-DD 56G PASSIVE CABLE ASY

PRODUCT CUSTOMER DRAWING

EC NO: 660218
 DRWN: KNAGANNA 2021/04/06
 CHK'D: SKAMATHN 2021/04/07
 APPR: KNAGANNA 2021/04/07
 DRWN: RWHIPPLE 2020/07/17
 APPR: MGARRISON 2020/07/20

LABEL DETAILS



P/N: 201591XXXX - MOLEX PART NUMBER (SEE P/N TABLE)

X.XXM - CABLE LENGTH IN METERS (EXAMPLES - 0.5M, 1.0M, 1.5M)
SEE P/N TABLE FOR THE NUMBER OF DIGITS

XXAWG - CABLE SIZE IN AWG

S/N: YYDDLSSSS - SERIAL NUMBER
 YY = YEAR, THE LAST 2 DIGITS OF YEAR
 DDD = DAY OF THE YEAR
 L = LOCATION
 1 - USA
 2 - MEXICO
 3 - CHINA
 4 - PHILIPPINES
 SSSS = SERIAL NUMBER (0001-9999)

MOLEX P/N	LENGTH (M)	AWG
2015913106	1.0M +/- 0.08M	28
2015913156	1.5M +/- 0.08M	28
2015913176	1.75M +/- 0.08M	28
2015913206	2.0M +/- 0.08M	28
2015913256	2.5M +/- 0.08M	26
2015913276	2.75M +/- 0.08M	26
2015913306	3.0M +/- 0.08M	26

FUNCTIONAL SYMBOLS $\nabla_A = 0$ $\nabla_C = 0$ $\nabla_D = 0$	THIS DRAWING CONTAINS INFORMATION THAT IS PROPRIETARY TO MOLEX ELECTRONIC TECHNOLOGIES, LLC AND SHOULD NOT BE USED WITHOUT WRITTEN PERMISSION		CURRENT REV DESC: SHEET4 : ADDED 1M AND 1.5M LENGTH TO PN TABLE					
	DIMENSION UNITS	SCALE	GENERAL TOLERANCES (UNLESS SPECIFIED)					
	mm	1:1	ANGULAR TOL ± 5.0°					
	DIVISIONAL SYMBOLS		EC NO: 660218					
DRAFT WHERE APPLICABLE MUST REMAIN WITHIN DIMENSIONS		THIRD ANGLE PROJECTION	DRAWING	SERIES	DOCUMENT NUMBER	DOC TYPE	DOC PART	REVISION
			D-SIZE	201591	2015913106	PSD	000	D
DOCUMENT STATUS		P1	RELEASE DATE	2021/04/07	11:06:28			