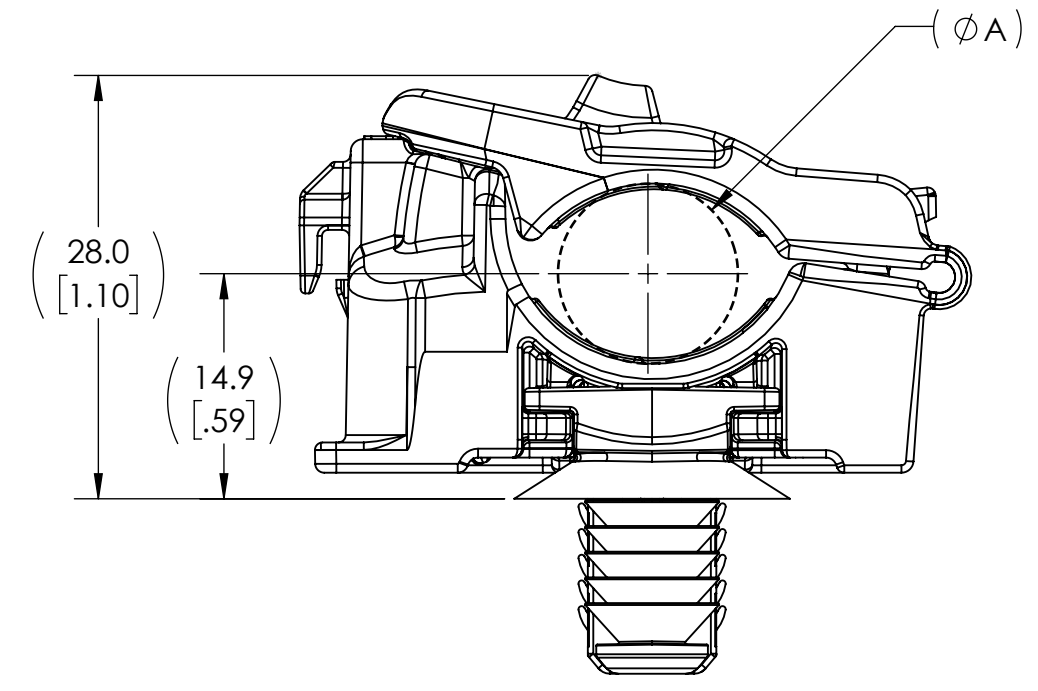
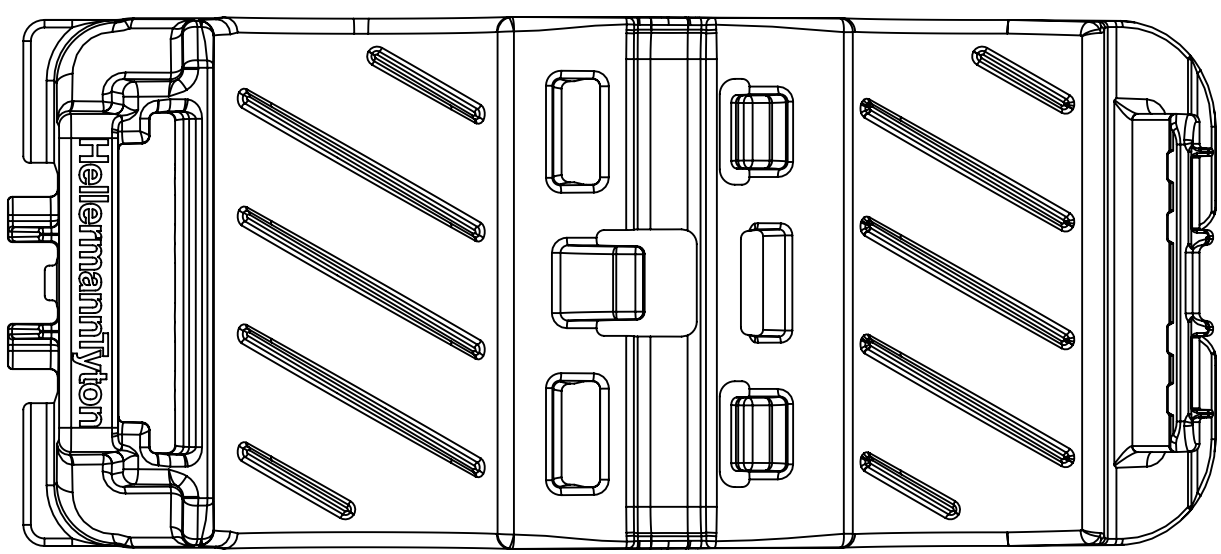
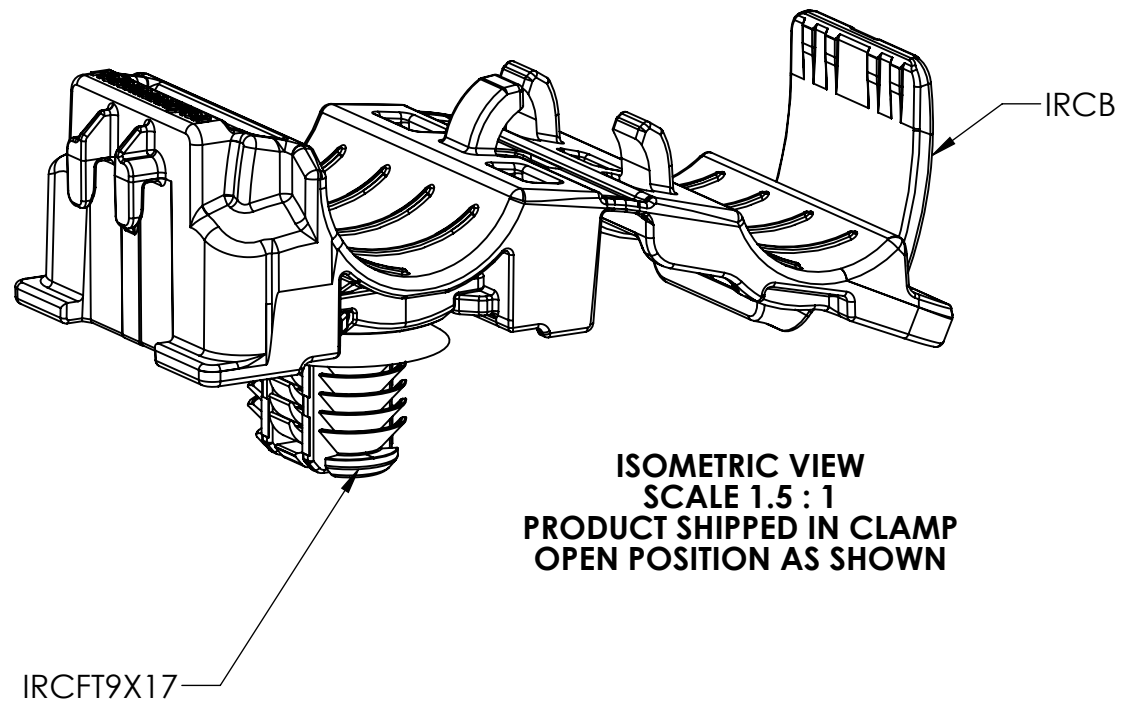
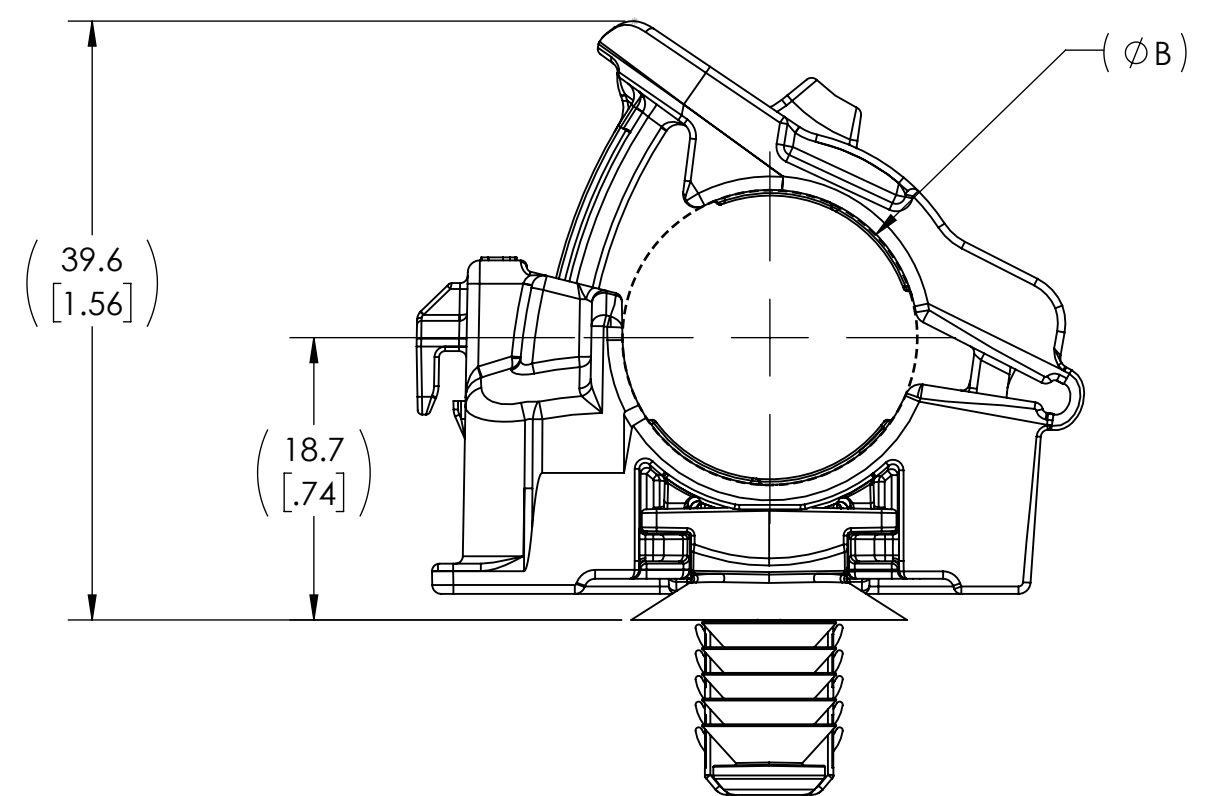
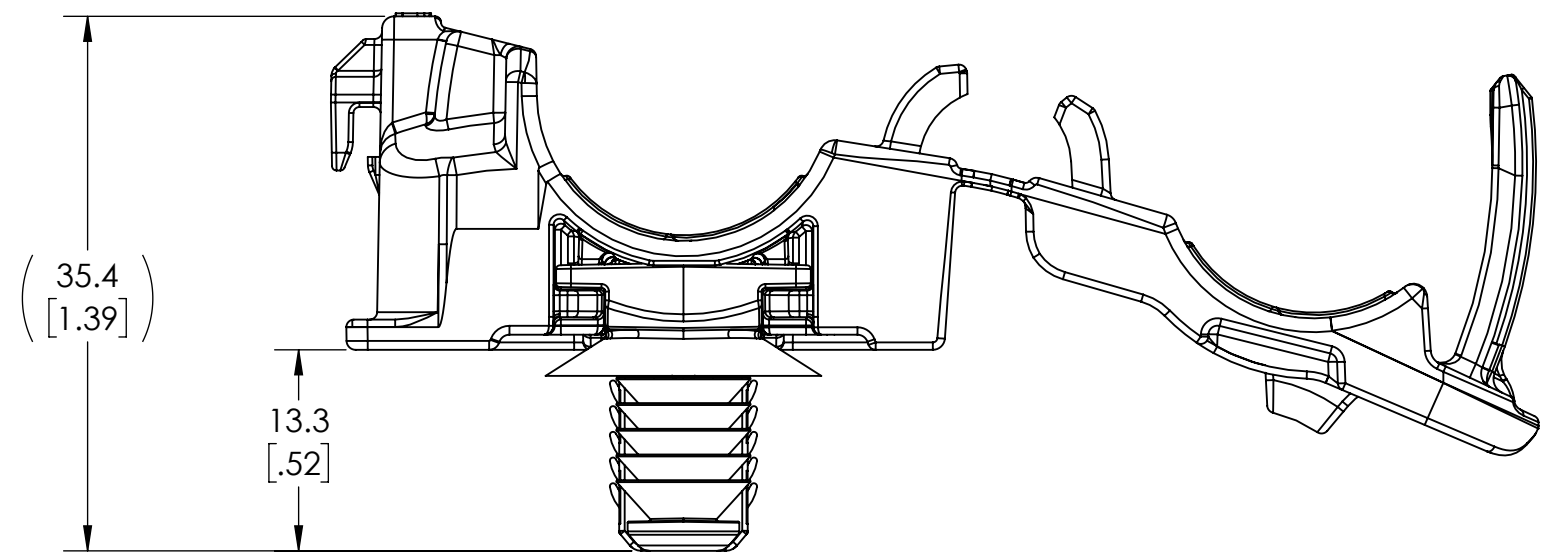
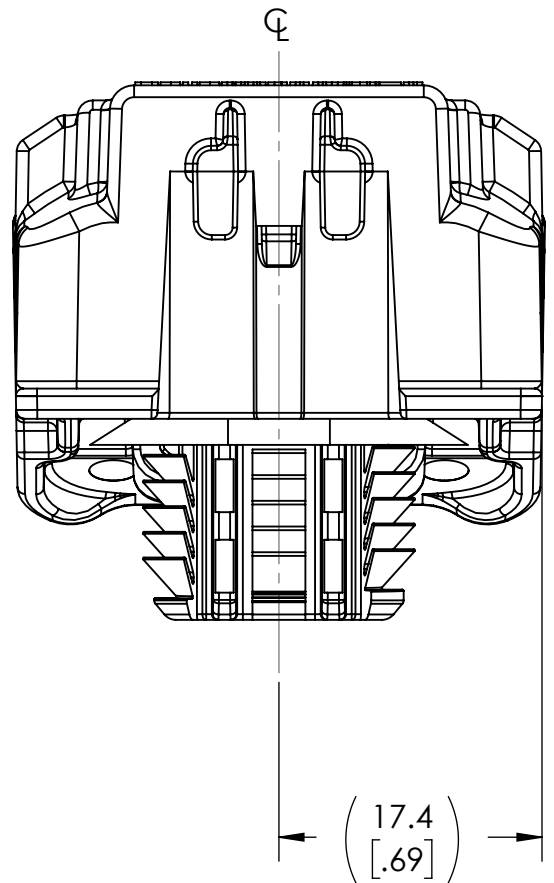


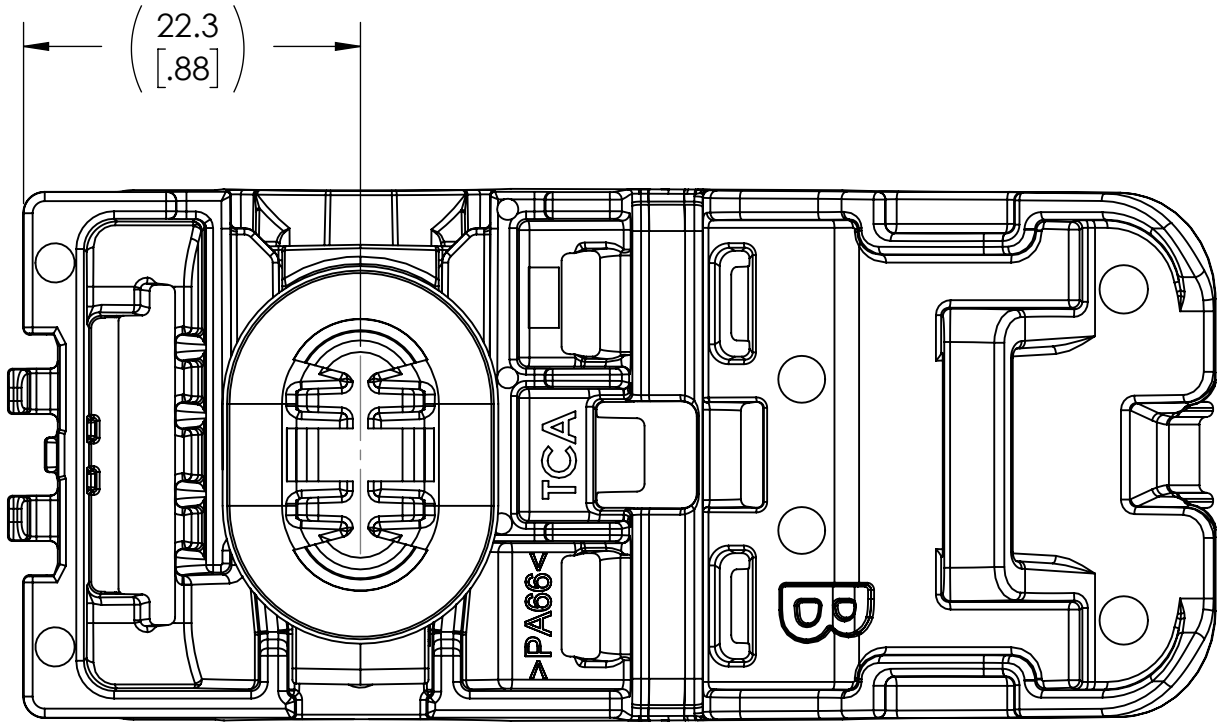
Revision level			Revision Record	Changed	Date	Approved	Date
Drawing	State	Part					
00.0	Design Release		SEE ECN# 015255	MHT	06/28/2019	CTF	06/28/2019



MINIMUM BUNDLE DIAMETER



MAXIMUM BUNDLE DIAMETER



REFERENCE:

1. SHEET METAL THICKNESS RANGE: 0.60mm - 6.75mm
2. APPLICABLE HOLE SIZE:
A. 9.0 X 17.0mm +0.2/-0.4

GLOBAL PART DESCRIPTION	BUNDLE TYPES	(A) MINIMUM DIAMETER	(B) MAXIMUM DIAMETER	IRCB CLAMP			IRCFT9X17 CONNECTOR CLIP		
				DRAWING	MATERIAL	COLOR	DRAWING	MATERIAL	COLOR
IRCBFT9X17-PA66HIRHSUV-BK	SOFT	12.7 [.50]	19.5 [.77]	16-1640-002-CSU	PA66HIRHSUV	BLACK	16-1645-040-CSU	PA66HIRHSUV	BLACK
	HARD	11.9 [.47]	18.7 [.74]						

Notes	Material SEE CHART	Units: millimeters Dimension without tolerances details to: .xxx = ±.013 .xx = ±.13 .x = ±.3 None = ±.8 ∠ = ±0.5° Dimension Formatted mm{in}	The copyright of this drawing is reserved by HellermannTyton. It is issued on condition that it is not reproduced, copied, or disclosed to a third party, either wholly or in part, without the consent of HellermannTyton.	Drawn	MHT	06/24/2019	Article/Type-No IRCBFT9X17	Scale 2:1		
				Approved	CTF	06/24/2019			Title INLINE RATCHET P-CLAMP B WITH 9x17mm OVAL FIR TREE	Project Number PRP19-0327
				HellermannTyton North America Email: corp@htamericas.com Web: www.hellermann.tyton.com		Drawing-No 19-0327-102-CSU				