

MATERIAL NO.	ENGINEERING NO.	FINISHED LENGTH
1201080689	E11A06304M003	0FT 11.8IN (0.3M)
1201080732	E11A06304M450	147FT 7.6IN (45M)
1201080710	E11A06304M850	278FT 10IN (85M)

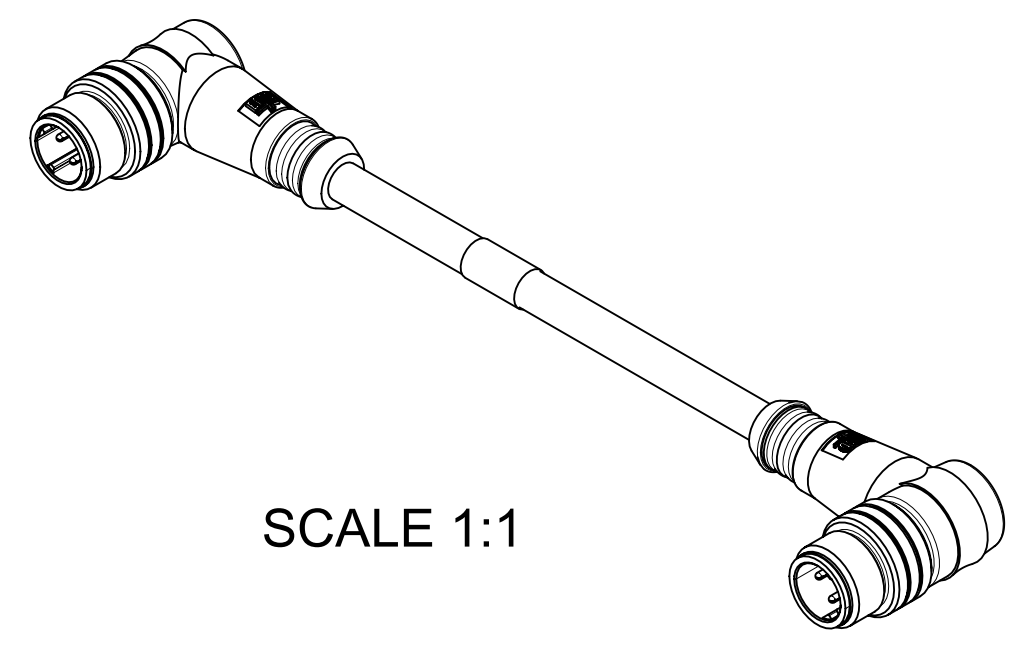
- NOTES:
1. MATERIAL: AS NOTED
 2. FINISH: AS NOTED
 3. ELECTRICAL SPECIFICATIONS
VOLTAGE RATING: 30V
CURRENT RATING: 1.5A
 4. TEMP RANGE: -20°C TO +75°C
 5. PROTECTION: IP67 (WHEN MATED)
 6. COUPLING NUT: M12 X 1.0
 7. UL FILE: E361772
 8. ALL DIMS ARE FOR REFERENCE UNLESS TOLERANCED OR NOTED OTHERWISE

PART NO. MATRIX
E11A06304M005

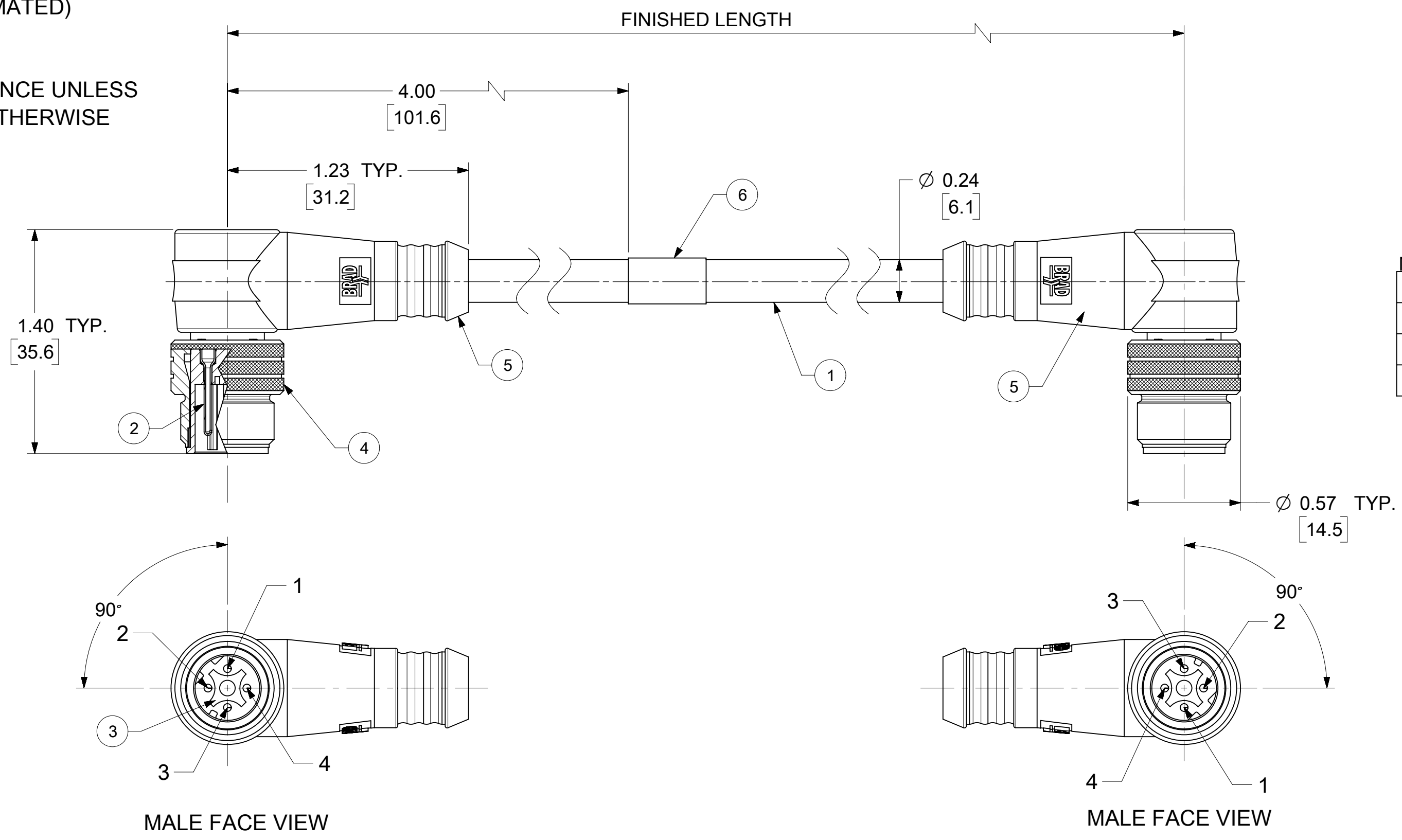
FINISHED LENGTH
M005= 0.5 METER
M010= 1 METER
M100= 10 METER

CABLE LENGTH TOLERANCES

<.3M [1FT]:	+19mm-0 [+ .75in-0]
.3 - .9M [1 - 3FT]:	+44.5mm-0 [+1.75in-0]
.9 - 1.8M [3 - 6FT]:	+55.6mm-0 [+2.19in-0]
1.8 - 3.7M [6 - 12FT]:	+88.9mm-0 [+3.50in-0]
3.7 - 7.3M [12 - 24FT]:	+165.1mm-0 [+6.50in-0]
7.3-14.6M [24 - 48FT]:	+317.5mm-0 [+12.50in-0]
14.6 - 30.5M [48-100FT]:	+622.3mm-0 [+24.50in-0]
OVER 30M [100FT]	+2% OF FINISHED LENGTH



SCALE 1:1



WIRING DIAGRAM

MALE		MALE
1	WHITE/ORANGE	1
2	WHITE/GREEN	2
3	ORANGE	3
4	GREEN	4

MECHANICAL CHARACTERISTICS:

FLEX LIFE	(126 CYCLES/MIN @ 20° C) 1 MILLION CYCLE TEST (10X CABLE O.D., MINIMUM RADIUS) 10 MILLION CYCLE TEST (20X CABLE O.D., MINIMUM RADIUS)
TORSIONAL FLEX:	(1 LB LOAD, 360°, 71 CYCLES/MIN @ 20° C) 3 MILLION CYCLE TEST

ITEM	DESCRIPTION	MATERIAL	FINISH
6	LABEL	VINYL	BLACK/YELLOW
5	OVERMOLD	TPC	BLACK
4	COUPLING NUT M12 MALE	BRASS	NICKEL/TEFLON
3	INSERT D-CODE 4 POLE MALE	PUR	BLACK
2	CONTACT PIN	COPPER ALLOY	GOLD PLATED
1	CABLE, ETHERNET, 24-4	TPE JACKET	TEAL

FUNCTIONAL SYMBOLS	THIS DRAWING CONTAINS INFORMATION THAT IS PROPRIETARY TO MOLEX ELECTRONIC TECHNOLOGIES, LLC AND SHOULD NOT BE USED WITHOUT WRITTEN PERMISSION		
DIMENSION UNITS	INCH/MM	SCALE	2:1
GENERAL TOLERANCES (UNLESS SPECIFIED)			
4 PLACES	±	MM	±
3 PLACES	±	INCH	±
2 PLACES	±		±
1 PLACE	±		±
0 PLACES	±		±
DIVISIONAL SYMBOLS	ANGULAR TOL	± °	
DRAFT WHERE APPLICABLE MUST REMAIN WITHIN DIMENSIONS		THIRD ANGLE PROJECTION	DRAWING SERIES
		C-SIZE	120108
		CURRENT REV DESC: INITIAL RELEASE, PVC CHANGED TO TPC	EC NO: 648668
		DRWN: VBASUTHKARP	2020/09/23
		CHK'D: RSTONE	2020/11/11
		APPR: BWOODMAN	2020/11/18
		INITIAL REVISION:	
		DRWN: VBASUTHKARP	2020/09/23
		APPR: BWOODMAN	2020/11/18
DOCUMENT NUMBER		1201080689	DOC TYPE DOC PART REVISION
MATERIAL NUMBER		SEE TABLE	PSD 000 A
CUSTOMER		GENERAL MARKET	SHEET NUMBER
			1 OF 1