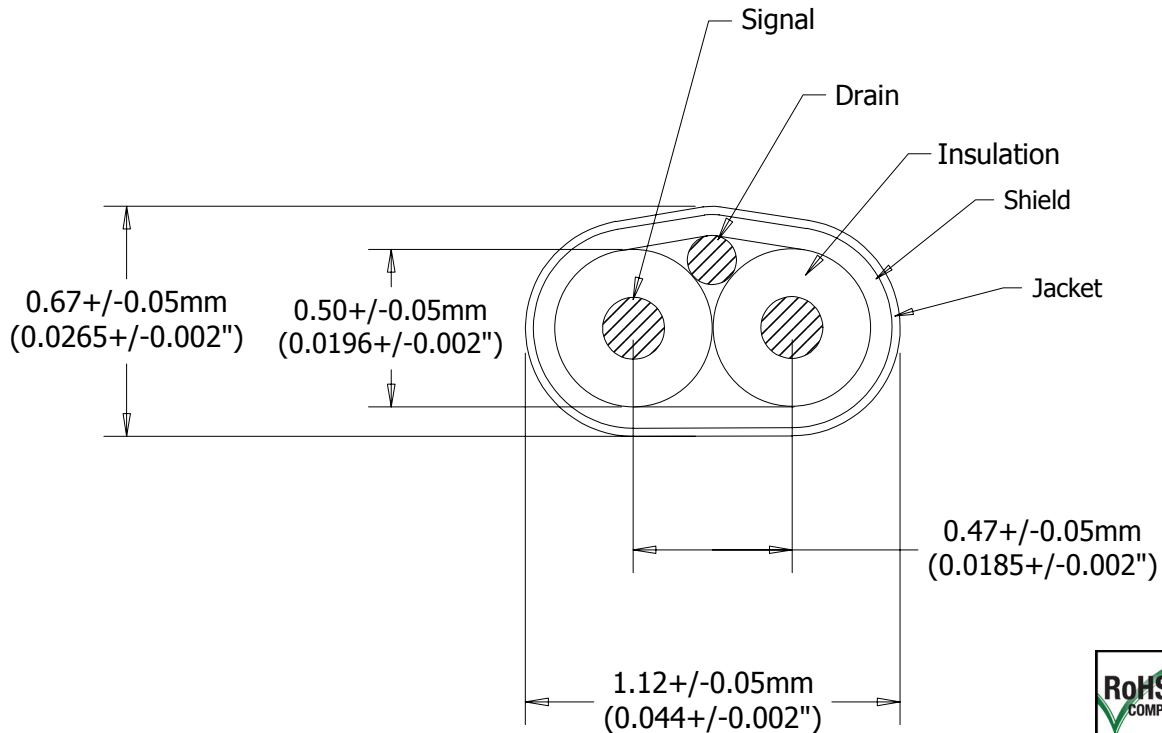


TITLE	PART No.	REV	PAGE
Shielded Pair 34 AWG, 100 Ohm Twinax	1000680079	C	1 of 1



**NOTES**

**Construction:**

- Conductor: 34 AWG, 0.16mm (0.0063") Solid SPC
- Insulation: Fluoropolymer
- Drain Wire: 34 AWG 0.16mm (0.0063") Solid SPC
- Shield: Aluminum / Polyester, 0.023mm (0.0009") Thickness Ref.
- Jacket: Polyester, Heat Seal, 0.025mm (0.001") Thickness Ref.

**Electrical Characteristics:**

(Based on a 2m Length)

- Differential Impedance: 100 +/- 5 Ohms
- Within Pair Skew: 12ps/2m Max.

**SCD21**

f < 28 GHz: 23 dB Min.

**SCD21-SDD21**

- 0.01 ≤ f < 12.89: 12 dB Min.
- 12.89 ≤ f < 15.7: (29-(29/22)f) dB Min.
- 15.7 ≤ f < 19: 8.3 dB Min.

**Mechanical Characteristics:**

Min Bend Radius 5X OD - Minor Axis

Print Legend: MOLEX TEMP-FLEX(R) <LOCATION CODE: US or PHL or GDL> TWINMAX(TM) 34 AWG 1000680079

--- E61522 <UL CODE: -MPI for PHL, <blank> for US, -MDM for GDL> STYLE 22046 cRUus AWM I A/B 105C 30V FT1 VW-1 --- <TRACEABILITY>

Based on 2m Test Length		
Freq (GHz)	SDD21	
	Nom. dB	Max. dB
2.50	6.95	7.26
5.00	9.97	10.49
7.50	12.40	13.29
10.00	14.60	15.80
12.89	16.87	18.68
13.28	17.16	18.78
15.00	18.49	20.20
17.50	20.16	21.83
20.00	21.60	23.54
28.00	25.60	28.28

This document is the property of TEMP-FLEX. It may not be disclosed, reproduced, or otherwise used without permission.	Rev	DCR	Description	App'd	Date
	B	5310	Update Spec to Current Dimensional Values.	KP	8/22/17
	C	5387	Update Print Legend, Within Pair Skew to 12ps/2m Max	KP	2/19/18