

10 9 8 7 6 5 4 3 2 1

F

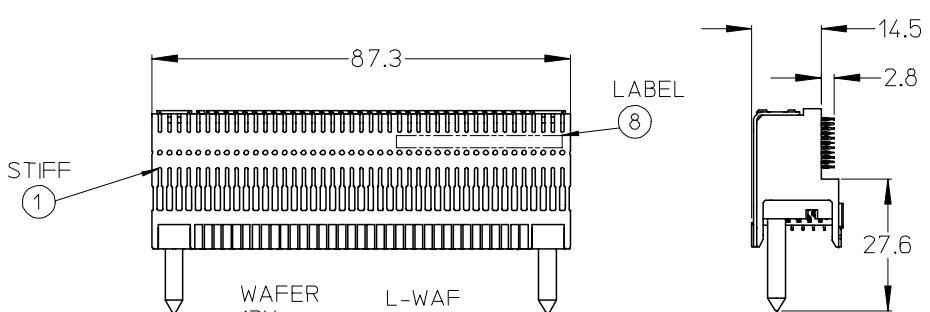
E

D

C

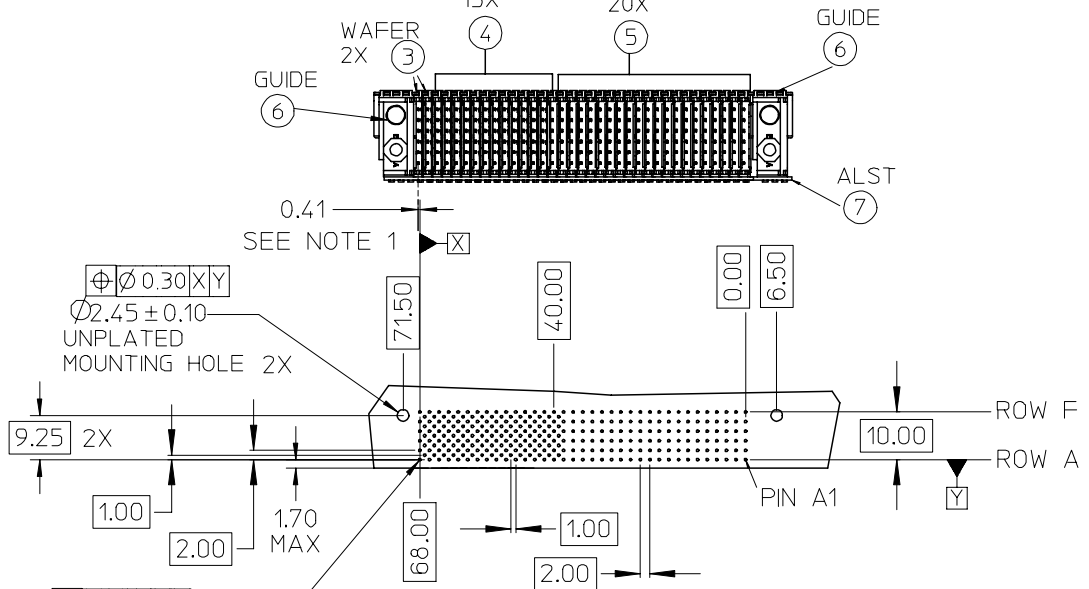
B

A



ITEM	PART NUMBER	QTY	DESCRIPTION
1	74601-0087	1	STIFFENER
2	73726-0000	2	MOUNTING SCREW
3	74602-2000	2	6.25mm VHDM SIGNAL WAFER
4	74602-1000	13	4.75mm VHDM SIGNAL WAFER
5	74605-9999	20	4.75mm LITE SIGNAL WAFER
6	74603-8000	2	GUIDE MODULE, NO KEY
7	74719-1085	1	ALIGNMENT STRIP
8	73728-0000	1	CUSTOM LABEL

- NOTES:
- DISTANCE FROM CENTER CONTACT TO CENTER OF PLATED THRU HOLE.
 - SCREWS PACKED IN BAG WITH TUBE.
 - STIFFENER MARKED WITH MOLEX PART NUMBER AND DATE CODE.
 - PARTS PACKAGED PER PK-70873-0892.
 - THIS PART CONFORMS TO MOLEX PRODUCT SPECIFICATION PS-74031-999.



$\varnothing 0.30$

$\varnothing 2.45 \pm 0.10$

UNPLATED MOUNTING HOLE 2X

$\varnothing 0.10$

$\varnothing 0.56 \pm 0.05$ PTH

$\varnothing 0.66$ DRILL

$\varnothing 1.00$ PAD

285

CIRCUIT BOARD LAYOUT
CONNECTOR SIDE

CUSTOMER: HEWLETT PACKARD

CORRECT BOM	EC NO: UCP2006-1316	2005/12/09	QUALITY SYMBOLS
	DRWN:KMULVEY	2005/12/09	
	CHKD: APPR:KMULVEY	2005/12/12	
	REV	DESCRIPTION	

	GENERAL TOLERANCES (UNLESS SPECIFIED)	
	MM	INCH
4 PLACES	± ---	± ---
3 PLACES	± ---	± ---
2 PLACES	± ---	± ---
1 PLACE	± ---	± ---
ANGULAR ±1/2°		

DIMENSION STYLE		SCALE	DESIGN UNITS	THIRD ANGLE PROJECTION
MM ONLY		1:1	METRIC	
DRAWN BY	DATE	TITLE		
MULVEY	2005/10/25	VHDM LITE 6 ROW RIGHT ANGLE MALE SALES ASSEMBLY		
CHECKED BY	DATE			
BINGHAM	2005/10/25	MOLEX INCORPORATED		
APPROVED BY	DATE			
SREED	2005/10/25	MATERIAL NO.	DOCUMENT NO.	SHEET NO.
		75286-1024	SD-75286-024	1 OF 1

DRAFT WHERE APPLICABLE MUST REMAIN WITHIN DIMENSIONS		THIS DRAWING CONTAINS INFORMATION THAT IS PROPRIETARY TO MOLEX INCORPORATED AND SHOULD NOT BE USED WITHOUT WRITTEN PERMISSION		
--	--	---	--	--

9 8 7 6 5 4 3 2 1