

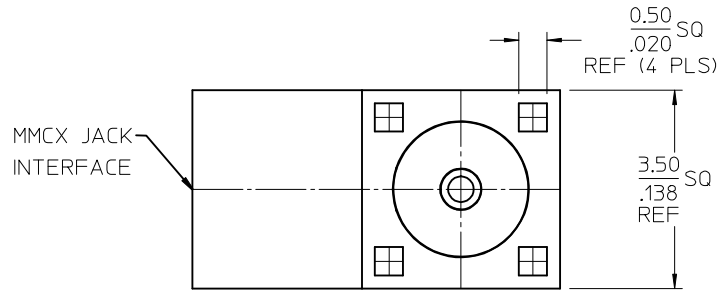
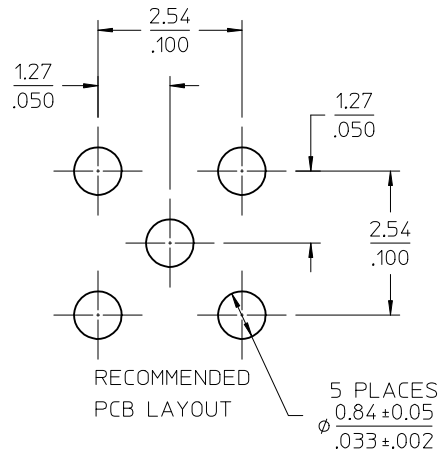
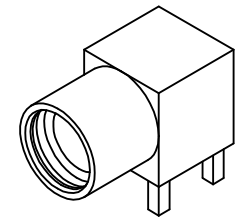
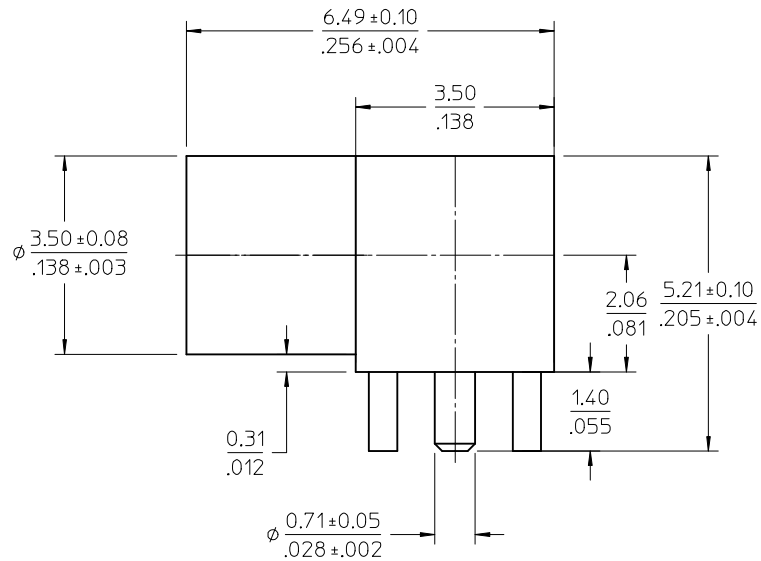
MATERIALS AND FINISHES

BODY BRASS  
PLATED GOLD

CENTER CONTACT BERYLLIUM COPPER  
PLATED GOLD

INSULATOR TEFLON

PACKING BY T&R



ES-73599-0000-016	INTERFACE
SPECIFICATION	DESCRIPTION

CHG: NEW RELEASED  
PER PDR0910406

EC NO: URF2010-0303  
DRWN: CWE102 2009/11/17  
CHKD: 2009/11/25  
APPR: MHIUANG 2009/11/25

REV DESCRIPTION

QUALITY SYMBOLS  
▽=0  
▽=0

GENERAL TOLERANCES (UNLESS SPECIFIED)

	mm	INCH
4 PLACES	± .010	± .0004
3 PLACES	± .015	± .0006
2 PLACES	± .020	± .0008
1 PLACE	± .030	± .0012

ANGULAR ± 2 °

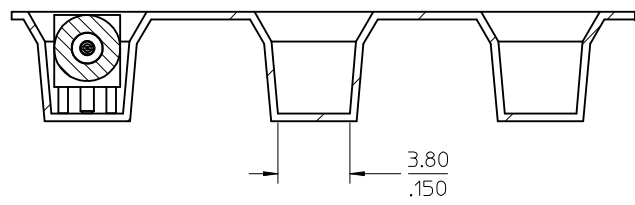
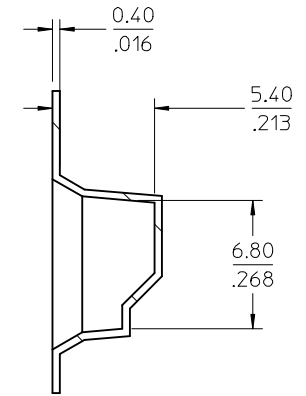
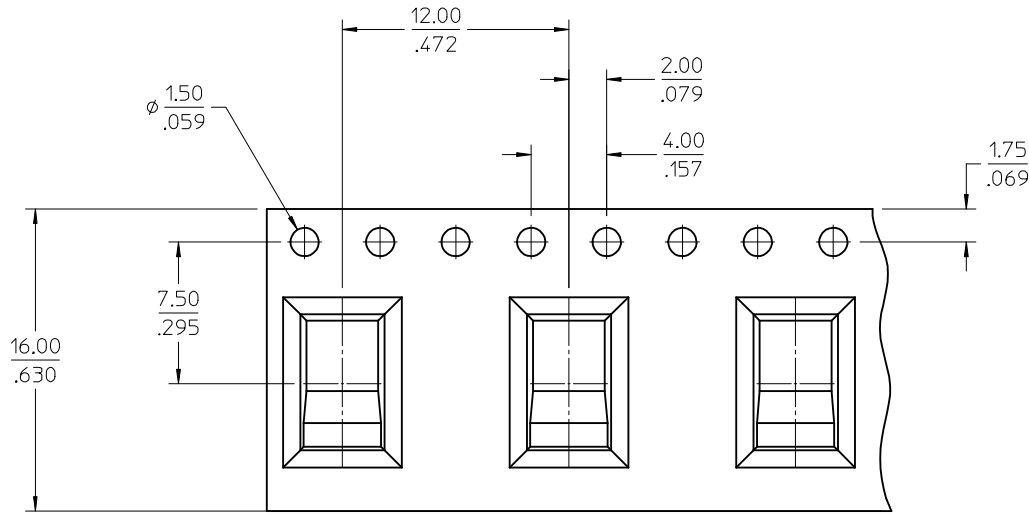
DRAFT WHERE APPLICABLE  
MUST REMAIN  
WITHIN DIMENSIONS

DIMENSION STYLE		SCALE	DESIGN UNITS	THIRD ANGLE PROJECTION
MM/IN			METRIC	
DRAWN BY	DATE	TITLE	MMCX JACK, R/A, PCB 50 OHMS MMCX-J/PCB	
CELA	2009/11/17			
CHECKED BY	DATE			
LEO	2009/11/17	APPROVED BY	DATE	
MISEN	2009/11/17	MOLEX INCORPORATED		

MATERIAL NO.  
**734140310**

DOCUMENT NO.	SHEET NO.
<b>SD-73414-031</b>	1 OF 3

THIS DRAWING CONTAINS INFORMATION THAT IS PROPRIETARY TO MOLEX INCORPORATED AND SHOULD NOT BE USED WITHOUT WRITTEN PERMISSION



CHG:SEE SHEET 1  
 EC NO: URF2010-0303  
 DRWN: CWE102 2009/11/17  
 CHKD: 2009/11/25  
 APPR: MHIANG 2009/11/25

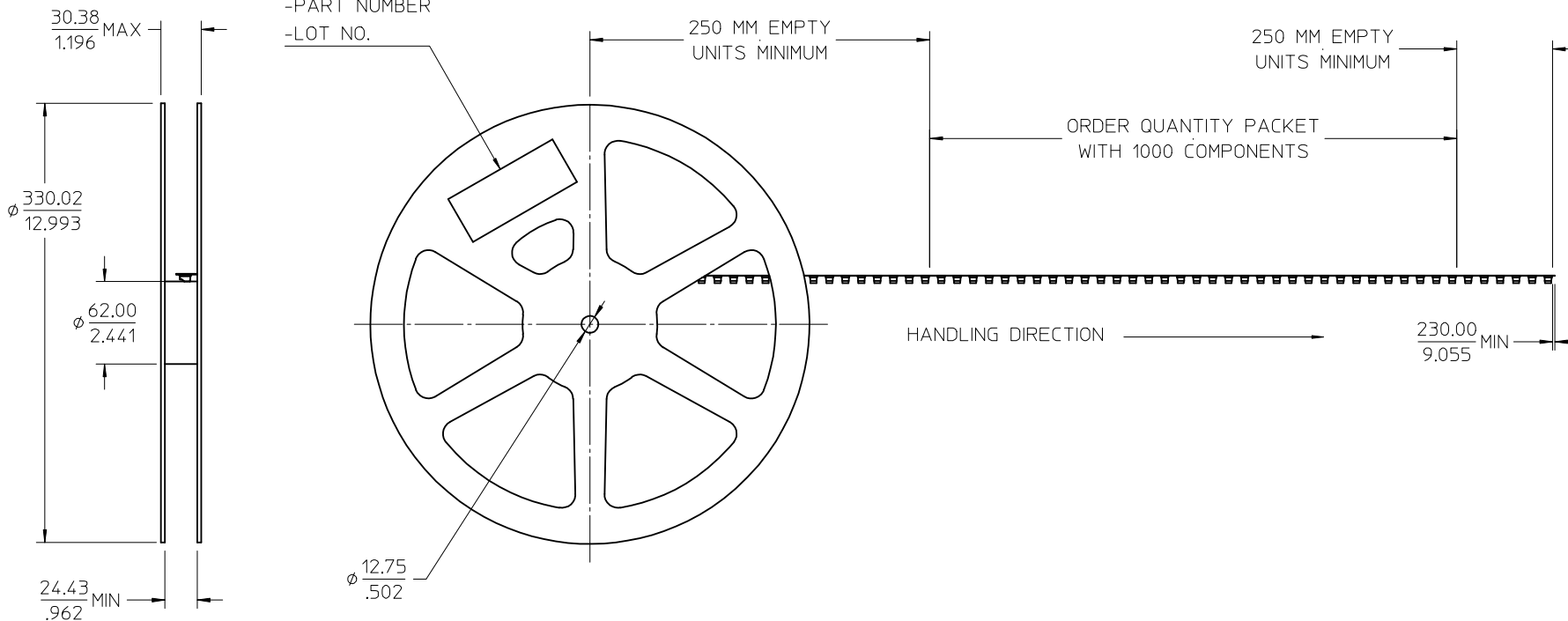
REV	DESCRIPTION
A	

QUALITY SYMBOLS	
	=0
	=0.05

GENERAL TOLERANCES (UNLESS SPECIFIED)	
4 PLACES	± .005
3 PLACES	± .004
2 PLACES	± .003
1 PLACE	± .002
ANGULAR ± 2°	

DIMENSION STYLE		SCALE	DESIGN UNITS	THIRD ANGLE PROJECTION
MM/IN			METRIC	
DRAWN BY	DATE	TITLE		
CELA	2009/11/17	MMCX JACK, R/A, PCB		
CHECKED BY	DATE	50 OHMS		
LEO	2009/11/17	MMCX-J/PCB		
APPROVED BY	DATE	MOLEX INCORPORATED		
MISEN	2009/11/17	MOLEX INCORPORATED		
MATERIAL NO.	DOCUMENT NO.	SHEET NO.		
SEE SHEET 1	SD-73414-031	2 OF 3		
SIZE C	THIS DRAWING CONTAINS INFORMATION THAT IS PROPRIETARY TO MOLEX INCORPORATED AND SHOULD NOT BE USED WITHOUT WRITTEN PERMISSION			

LABEL:  
 -ORDER NO.  
 -QUANTITY  
 -PART NUMBER  
 -LOT NO.



- PACKING DESCRIPTION :
1. MATERIAL : PS BLACK-THICKNESS : 0.40
  2. PACKING LENGTH PER 22" REEL : 39 METERS (1:3)
  3. COMPONENT LOAD PER 13" REEL : 1000 PCS
  4. DIMENSION ARE PROVIDED FOR REFERENCE ONLY

CHG: SEE SHEET 1 EC NO: URF2010-0303 DRWN: CWE102 2009/11/17 CHKD: 2009/11/25 APPR: MHIANG 2009/11/25	QUALITY SYMBOLS ▽=0 ▽=0	GENERAL TOLERANCES (UNLESS SPECIFIED)		DIMENSION STYLE MM/IN		SCALE	DESIGN UNITS METRIC	THIRD ANGLE PROJECTION			
		4 PLACES ± --- ± ---	3 PLACES ± --- ± ---	2 PLACES ± --- ± ---	1 PLACE ± --- ± ---	DRAWN BY CELA	DATE 2009/11/17	TITLE	MMCX JACK, R/A, PCB 50 OHMS MMCX-J/PCB		
		ANGULAR ± 2 °				CHECKED BY LEO	DATE 2009/11/17	APPROVED BY MISEN			
		DRAFT WHERE APPLICABLE MUST REMAIN WITHIN DIMENSIONS				MATERIAL NO. SEE SHEET 1	DOCUMENT NO. SD-73414-031	MOLEX INCORPORATED MOLEX			