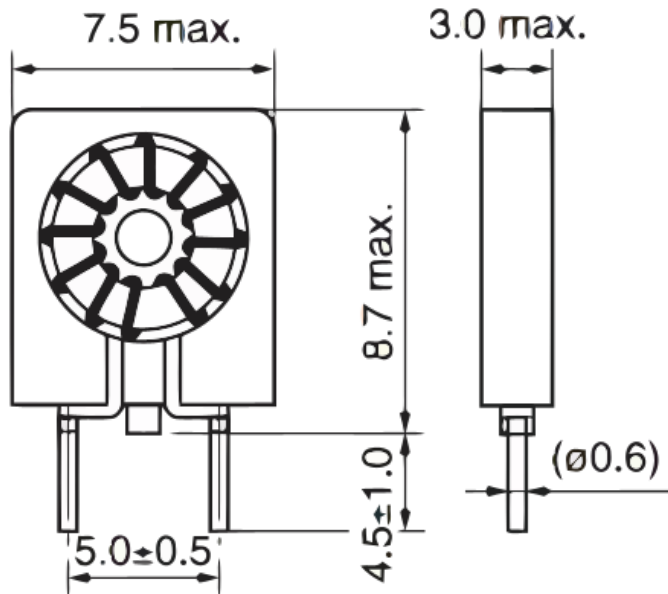


SBT-0240TF

Aliases (UDLSBT00240TF0)

KEMET, SBT, DC Line Filters, Normal Mode, 40 uH, 35%



Click [here](#) for the 3D model.

Dimensions

| | |
|----|--------------|
| L | 7.5mm MAX |
| W | 3mm MAX |
| T | 3mm MAX |
| H | 8.7mm MAX |
| LL | 4.5mm +/-1mm |
| S | 5mm +/-0.5mm |

Packaging Specifications

| | |
|--------------------|--------|
| Packaging | T&R |
| Packaging Quantity | 1000 |
| Component Weight | 240 mg |

General Information

| | |
|---------------|-----------------------------|
| Series | SBT |
| Style | Through-Hole |
| RoHS | Yes |
| Miscellaneous | Inductance: 70mAmps (1kHz). |

Specifications

| | |
|----------------------|-----------|
| Voltage DC | 50 VDC |
| Inductance | 40 uH |
| Inductance Tolerance | 35% |
| Temperature Range | -25/+70°C |
| DC Resistance | 34 mOhms |