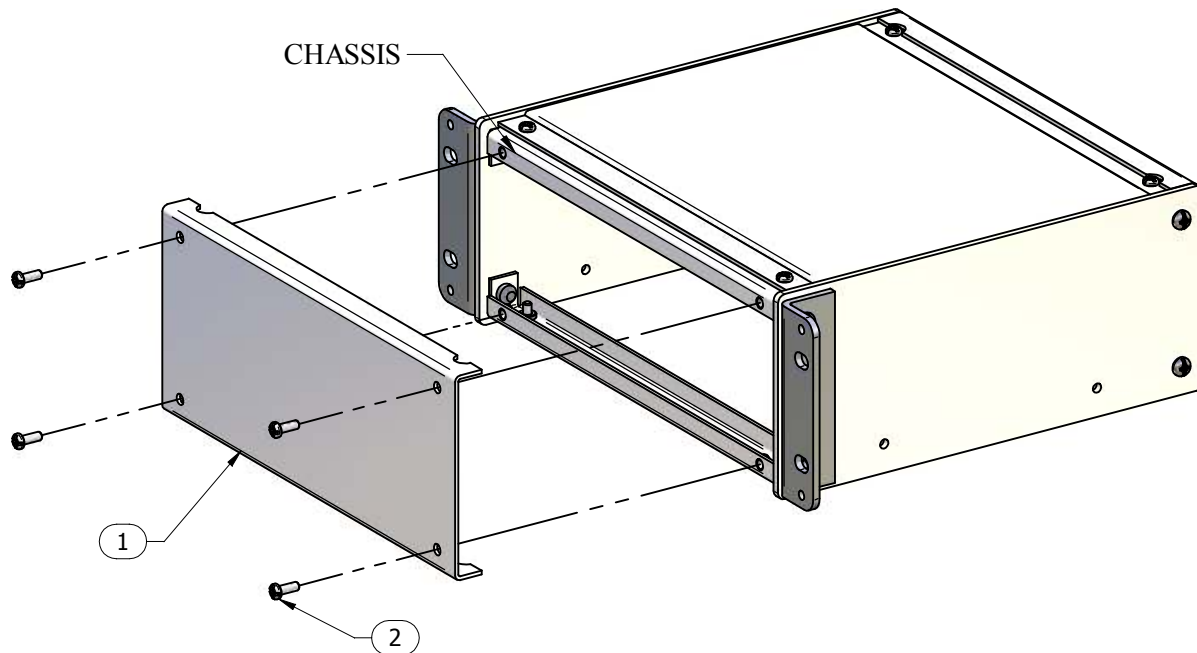


RMCP - SERIES

ASSEMBLY INSTRUCTIONS FOR RMCS/V FRONT & REAR REPLACEMENT PANELS

BUL10360
REV. A
PAGE 1 OF 1



ASSEMBLY INSTRUCTIONS:

- A) Removed panel that needs to be replaced by removing 4 6-32 machine screws as shown. Hold on to 6-32 machine screws (item 2) because they will be used to fasten the new panel (item 1) to the chassis.
- B) Align holes in replacement panel (item 1) with the chassis. Fasten to the chassis using the 6-32 machine screws (item 2) that you just removed.

PARTS LIST

ITEM No.	DESCRIPTION	QTY
1	REPLACEMENT FRONT/REAR PANEL	1
2	6-32 MACHINE SCREWS (FROM RMC)	4

TOOL BOX



#2 Phillips
Screw Driver



**HAMMOND
MANUFACTURING™**
ELECTRONICS GROUP

visit our website @ www.hammondmfg.com