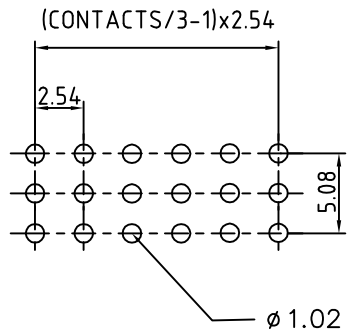
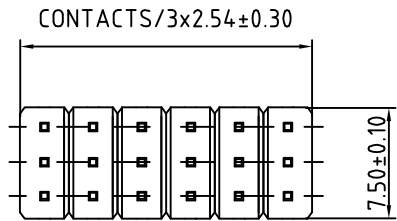
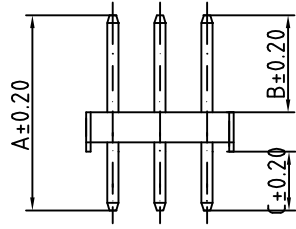
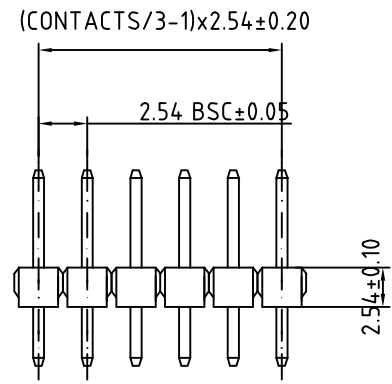


SIGN	DATE	DESCRIPTION	APPROVER
THIS IS CAD DRAWING, DO NOT REVISE MANUALLY!!!			



RECOMMENDED P.C.B LAYOUT



Dimensions in inches	
A	B
095	110
105	135
125	125
170	160
215	115
224	100
230	100
230	120
230	300
235	195
250	080
265	115
276	116
295	135
318	125
340	090
410	120
430	100
500	120
520	110
520	230
530	110
720	115
820	110

SPECIFICATIONS
 Current Rating: 3A AC,DC
 Voltage Rating: 250V AC,DC
 Temperature Range: -55°C ~ +105°C
 Contact Resistance: <20mΩ
 Insulation Resistance: >1000MΩ
 Withstanding Voltage: 1000V AC/minute
 Insulator Material: PBT30%GF, UL94V-0
 Contacts: Copper Alloys
 Color: Black

MAXIMUM SOLDERING TEMPERATURE
 Soldering Time: 5 ± 0.5 seconds
 Solder Pot: 245 ± 5°C

RoHS Compliant

PART NUMBER:

PH5-XXX/XXXXXXXX

A B
SEE CHART

No. of Pins
06-120

PLATING:
 1: Full Flash Gold (STD)
 5: Tin (STD)
 6: Selective Gold Flash
 7: Selective 15u" Gold
 8: Selective 30u" Gold
 9: Selective 50u" Gold
 non STD may require MOQ

for positions greater than 102, drop the second dash(-) and insert total positions

THESE DRAWINGS AND SPECIFICATIONS ARE THE PROPERTY OF ON-SHORE TECHNOLOGY, INC. AND SHALL NOT BE REPRODUCED, COPIED OR USED IN ANY MANNER WITHOUT THE PRIOR WRITTEN CONSENT OF ON-SHORE TECHNOLOGY, INC.



TITLE		PH5 - Pin header, thru hole, triple row, vertical			
PART NO.	PH5-XXX/XXXXXXXX	DWG NO.	PH5.dwg		
APPROVED	CHECKED	DESIGNED	DRAWN	9242	
	Marvin 2002.03.12	Marvin 2002.03.12	Marvin 2002.03.12	Tolerance	
				UNIT: mm	X.* ±1"
				SCALE: NONE	.XX ±0.25
				REV.: A	.XXX ±0.15
				SHEET: 01/01	.XXX ±0.05