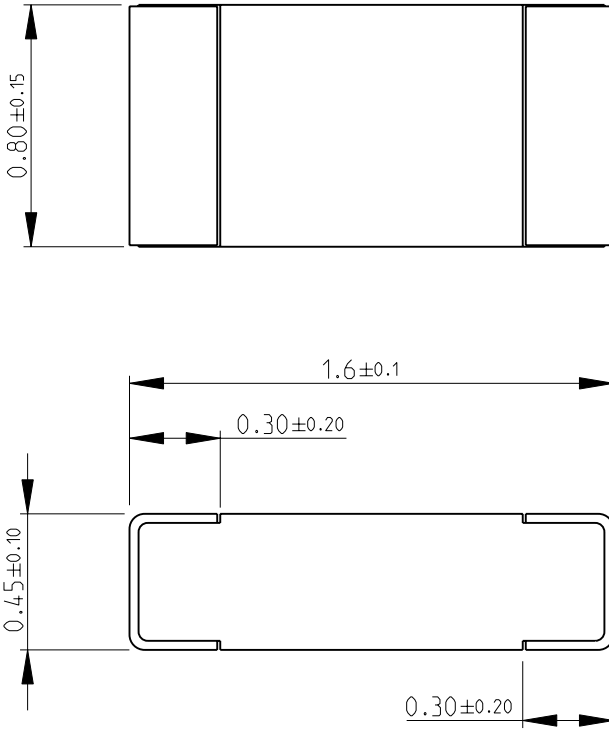
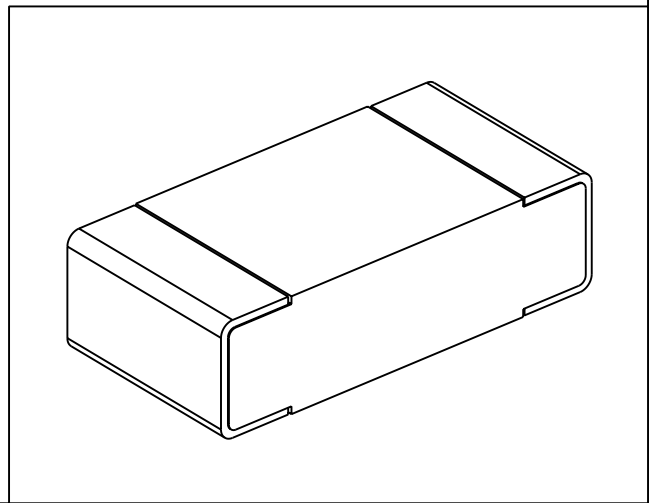


|     |      |           |     |             |           |     |      |
|-----|------|-----------|-----|-------------|-----------|-----|------|
| LOC | DIST | REVISIONS |     |             |           |     |      |
| E   | B    | P         | LTR | DESCRIPTION | DATE      | DWN | APVD |
|     |      |           | BA  | NEW RELEASE | 04-NOV-08 | SM  | St.P |

FOR FURTHER INFORMATION SEE DATA SHEET FOR  
CRG SERIES-THICK FILM CHIP RESISTORS



RoHS Compliant



2008

RELEASED FOR PUBLICATION

THIS DRAWING IS UNPUBLISHED.

BY TYCO ELECTRONICS CORPORATION. ALL RIGHTS RESERVED.



|  |                  |           |           |  |  |           |               |
|--|------------------|-----------|-----------|--|--|-----------|---------------|
| DIMENSIONS:<br>mm                      | DWN              | SUBHASH.M | 04-NOV-08 | MATERIAL   | -  | FINISH    | -             |
|  | CHK              | PRAKASH.S | 04-NOV-08 | Tyco Electronics<br>Tyco Electronics Corporation<br>Dorcan, Swindon, SN3 5HH | NAME<br>THICK FILM CHIP RESISTORS<br>SERIES CRG 0603 |           |               |
| TOLERANCES UNLESS OTHERWISE SPECIFIED: | APVD             | STEPHEN.P | 04-NOV-08 |  |  |           |               |
| 0 PLC $\pm 0.5$                        | PRODUCT SPEC     | -         | -         | SIZE   | A 4  | CAGE CODE | 00779         |
| 1 PLC $\pm 0.2$                        | APPLICATION SPEC | -         | -         | DRAWING NO   | C= 1622961   |           | RESTRICTED TO |
| 2 PLC $\pm 0.1$                        | WEIGHT           | -         | -         | SCALE 40:1   |  |           | SHEET 1 OF 1  |
| 3 PLC $\pm -$                          |                  |           |           | CUSTOMER DRAWING   |  |           | REV BA        |
| 4 PLC $\pm -$                          |                  |           |           |  |  |           |               |
| ANGLES $\pm 5^\circ$                   |                  |           |           |  |  |           |               |

