

General Description

The AOZ5636QI is a high efficiency synchronous buck power stage module consisting of two asymmetrical MOSFETs and an integrated driver. The MOSFETs are individually optimized for operation in the synchronous buck configuration. The High-Side MOSFET is optimized to achieve low capacitance and gate charge for fast switching with low duty cycle operation. The Low-Side MOSFET has ultra low ON resistance to minimize conduction loss.

The AOZ5636QI uses a PWM input for accurate control of the power MOSFETs switching activities, is compatible with 3V and 5V (CMOS) logic and supports Tri-State PWM.

A number of features are provided making the AOZ5636QI a highly versatile power module. The bootstrap switch is integrated in the driver. The Low-Side MOSFET can be driven into diode emulation mode to provide asynchronous operation and improve light-load performance. The pin-out is also optimized for low parasitics, keeping their effects to a minimum.

Features

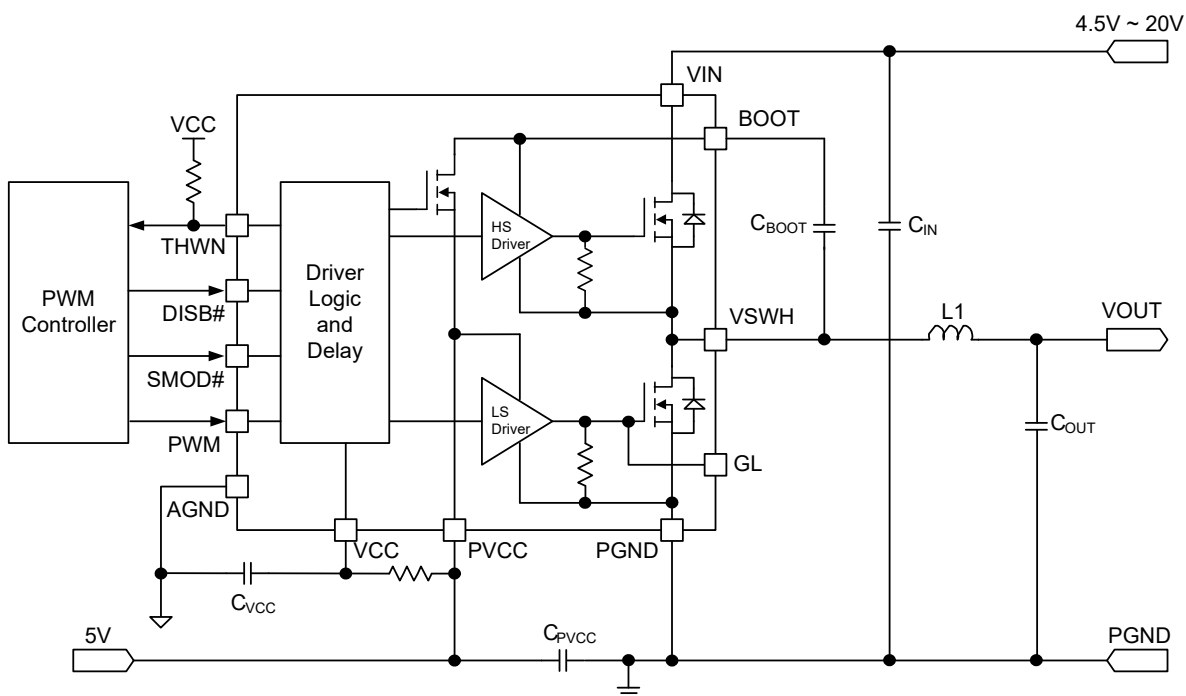
- 4.5V to 20V power supply range
- 4.5V to 5.5V driver supply range
- 50A continuous output current
 - Up to 70A with 10ms ON pulse
 - Up to 110A with 10us ON pulse
- Up to 2MHz switching operation
- 3V / 5V PWM / Tri-State input compatible
- Under-Voltage Lockout protection
- SMOD# control for Diode Emulation / CCM operation
- Low Profile 5x5 QFN-31L package

Applications

- Memory and graphic cards
- VRMs for motherboards
- Point of load DC/DC converters
- Video gaming console



Typical Application



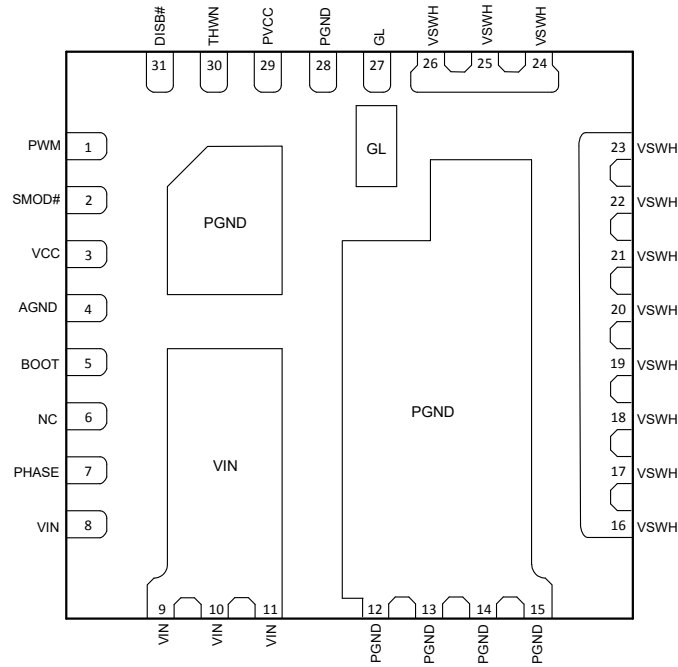
Ordering Information

| Part Number | Ambient Temperature Range | Package | Environmental |
|-------------|---------------------------|------------|---------------|
| AOZ5636QI | -40°C to +125°C | QFN5x5-31L | RoHS |



All AOS products are offered in packages with Pb-free plating and compliant to RoHS standards. Please visit www.aosmd.com/media/AOSGreenPolicy.pdf for additional information.

Pin Configuration

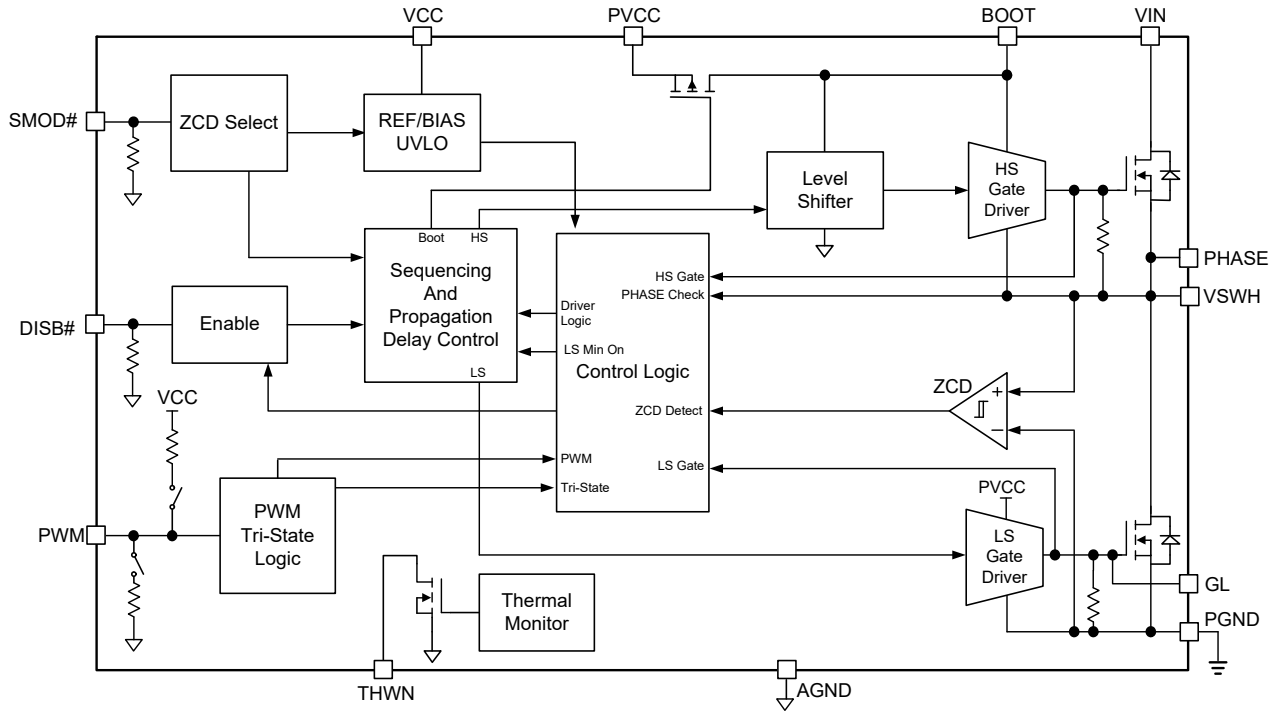


**QFN5x5-31L
(Top View)**

Pin Description

| Pin Number | Pin Name | Pin Function |
|--|----------|---|
| 1 | PWM | PWM input signal from the controller IC. When DISB#=0V, the internal resistor divider will be disconnected and this pin will be at high impedance. |
| 2 | SMOD# | Pull low to enable Discontinuous Mode of Operation (DCM), Diode Emulation or Skip Mode. There is an internal pull-down resistor to AGND. |
| 3 | VCC | 5V Bias for Internal Logic Blocks. Ensure to position a 1 μ F MLCC directly between VCC and AGND (Pin 4). |
| 4 | AGND | Signal Ground. |
| 5 | BOOT | High-Side MOSFET Gate Driver supply rail. Connect a 100nF ceramic capacitor between BOOT and the PHASE (Pin 7). |
| 6 | NC | Internally connected to VIN paddle. It can be left floating (no connect) or tied to VIN. |
| 7 | PHASE | This pin is dedicated for bootstrap capacitor AC return path connection from BOOT (Pin 5). |
| 8, 9, 10, 11 | VIN | Power stage High Voltage Input (Drain connection of High-Side MOSFET). |
| 12, 13, 14, 15 | PGND | Power Ground pin for power stage (Source connection of Low-Side MOSFET). |
| 16, 17, 18, 19, 20, 21, 22, 23, 24, 25, 26 | VSWH | Switching node connected to the Source of High-Side MOSFET and the Drain of Low-Side MOSFET. These pins are used for Zero Cross Detection and Anti-Overlap Control as well as main inductor terminal. |
| 27 | GL | Low-Side MOSFET Gate connection. This is for test purposes only. |
| 28 | PGND | Power Ground pin for High-Side and Low-Side MOSFET Gate Drivers. Ensure to connect 1 μ F directly between PGND and PVCC (Pin 29). |
| 29 | PVCC | 5V Power Rail for High-Side and Low-Side MOSFET Drivers. Ensure to position a 1 μ F MLCC directly between PVCC and PGND (Pin 28). |
| 30 | THWN | Thermal warning indicator. This is an open-drain output. When the temperature at the driver IC die reaches the Over Temperature Threshold, this pin is pulled low. |
| 31 | DISB# | Output disable pin. When this pin is pulled to a logic low level, the IC is disabled. There is an internal pull-down resistor to AGND. |

Functional Block Diagram



Absolute Maximum Ratings

Exceeding the Absolute Maximum Ratings may damage the device.

| Parameter | Rating |
|---|----------------------------|
| Low Voltage Supply (VCC, PVCC) | -0.3V to 7V |
| High Voltage Supply (VIN) | -0.3V to 25V |
| Control Inputs (PWM, SMOD#, DISB#) | -0.3V to (VCC+0.3V) |
| Output (THWN) | -0.3V to (VCC+0.3V) |
| Bootstrap Voltage DC (BOOT-PGND) | -0.3V to 28V |
| Bootstrap Voltage Transient ⁽¹⁾ (BOOT-PGND) | -8V to 35V |
| Bootstrap Voltage DC (BOOT-PHASE/VSWH) | -0.3V to 7V |
| BOOT Voltage Transient ⁽¹⁾ (BOOT-PHASE/VSWH) | -0.3V to 9V |
| Switch Node Voltage DC (PHASE/VSWH) | -0.3V to 25V |
| Switch Node Voltage Transient ⁽¹⁾ (PHASE/VSWH) | -8V to 33V |
| Low-Side Gate Voltage DC (GL) | (PGND-0.3V) to (PVCC+0.3V) |
| Low-Side Gate Voltage Transient ⁽¹⁾ (GL) | (PGND-2.5V) to (PVCC+0.3V) |
| VSWH Current DC | 50A |
| VSWH Current 10ms Pulse | 70A |
| VSWH Current 10us Pulse | 110A |
| Storage Temperature (T _S) | -65°C to +150°C |
| Max Junction Temperature (T _J) | 150°C |
| ESD Rating ⁽²⁾ | 2kV |

Notes:

1. Peak voltages can be applied for 10ns per switching cycle.
2. Devices are inherently ESD sensitive, handling precaution are required. Human body model rating: 1.5Ω in series with 100pF.

Recommended Operating Ratings

The device is not guaranteed to operate beyond the Maximum Operating Ratings.

| Parameter | Rating |
|--|----------------|
| High Voltage Supply (VIN) | 4.5V to 20V |
| Low Voltage / MOSFET Driver Supply VCC, PVCC | 4.5V to 5.5V |
| Control Inputs (PWM, SMOD#, DISB#) | 0V to VCC |
| Output (THWN) | 0V to VCC |
| Operating Frequency | 200kHz to 2MHz |

Electrical Characteristics⁽³⁾

T_A = 25°C to 125°C. Typical values reflect 25°C ambient temperature; VIN = 12V, VCC= PVCC= DISB# = 5.0V, unless otherwise specified.

| Symbol | Parameter | Conditions | Min. | Typ. | Max. | Units |
|---------------------------------|--------------------------|------------------|------|------|------|-------|
| General | | | | | | |
| V _{IN} | Power Stage Power Supply | | 4.5 | | 20 | V |
| V _{CC} | Low Voltage Bias Supply | PVCC = VCC | 4.5 | | 5.5 | V |
| R _{θJC} ⁽³⁾ | Thermal Resistance | PCB Temp = 100°C | | 2.5 | | °C/W |
| R _{θJA} ⁽³⁾ | | | | 13.8 | | °C/W |
| Input Supply and UVLO | | | | | | |
| V _{CC_UVLO} | Under-Voltage Lockout | VCC Rising | | 3.5 | 3.9 | V |
| V _{CC_HYST} | | VCC Hysteresis | | 400 | | mV |

Electrical Characteristics⁽³⁾

T_A = 25°C to 125°C. Typical values reflect 25°C ambient temperature; V_{IN} = 12V, V_{CC} = PV_{CC} = DISB# = 5.0V, unless otherwise specified.

| Symbol | Parameter | Conditions | Min. | Typ. | Max. | Units |
|---|-------------------------------------|---|------|------|------|-------|
| I _{VCC} | Control Circuit Bias Current | DISB# = 0V | | 1 | | μA |
| | | SMOD# = 5V, PWM = 0V | | 550 | | |
| | | SMOD# = 0V, PWM = 0V | | 535 | | |
| | | SMOD# = 0V, PWM = 1.65V | | 430 | | |
| I _{PVCC} | Drive Circuit Operating Current | PWM = 400kHz, 20% Duty Cycle | | 20 | | mA |
| | | PWM = 1MHz, 20% Duty Cycle | | 50 | | mA |
| PWM Input | | | | | | |
| V _{PWMH} | Logic High Input Voltage | | 2.7 | | | V |
| V _{PWML} | Logic Low Input Voltage | | | | 0.72 | V |
| I _{PWM_SRC} | PWM Pin Input Current | PWM = 0V | | -150 | | μA |
| I _{PWM_SNK} | | PWM = 3.3V | | 150 | | μA |
| V _{TRI} | PWM Tri-State Window | | 1.35 | | 1.95 | V |
| V _{PWM_FLOAT} | PWM Tri-State Voltage Clamp | PWM = Floating | | 1.65 | | V |
| DISB# Input | | | | | | |
| V _{DISB#_ON} | Enable Input Voltage | | 2.0 | | | V |
| V _{DISB#_OFF} | Disable Input Voltage | | | | 0.8 | V |
| R _{DISB#} | DISB# Input Resistance | Pull-Down Resistor | | 850 | | kΩ |
| SMOD# Input | | | | | | |
| V _{SMOD#_H} | Logic High Input Voltage | | 2.0 | | | V |
| V _{SMOD#_L} | Logic Low Input Voltage | | | | 0.8 | V |
| R _{SMOD#} | SMOD# Input Resistance | Pull-Down Resistor | | 850 | | kΩ |
| Gate Driver Timing | | | | | | |
| t _{PDLU} | PWM to High-Side Gate | PWM: H → L, VSWH: H → L | | 30 | | ns |
| t _{PDLL} | PWM to Low-Side Gate | PWM: L → H, GL: H → L | | 25 | | ns |
| t _{PDHU} | Low-Side to High-Side Gate Deadtime | GL: H → L, GH(4): L → H | | 15 | | ns |
| t _{PDHL} | High-Side to Low-Side Gate Deadtime | VSWH: H → 1V, GL: L → H | | 13 | | ns |
| t _{TSSHD} | Tri-State Shutdown Delay | PWM: L → V _{TRI} , GL: H → L and PWM: H → V _{TRI} , VSWH: H → L | | 25 | | ns |
| t _{TSEXIT} | Tri-State Propagation Delay | PWM: V _{TRI} → H, VSWH: L → H PWM: V _{TRI} → L, GL: L → H | | 35 | | ns |
| t _{LGMIN} | LS Minimum On Time | SMOD# = L | | 350 | | ns |
| Thermal Notification⁽⁵⁾ | | | | | | |
| T _{JTHWN} | Junction Thermal Threshold | Temperature Rising | | 150 | | °C |
| T _{JHYST} | Junction Thermal Hysteresis | | | 30 | | °C |
| V _{THWN} | THWN Pin Output Low | I _{THWN} = 0.5mA | | 60 | | mV |
| R _{THWN} | THWN Pull-Down Resistance | | | 120 | | Ω |

Note:

3. All voltages are specified with respect to the corresponding AGND pin.
4. GH is an internal pin.
5. Characterization value. Not tested in production.

Table 1. Input Control Truth Table

| DISB# | SMOD# | PWM ⁽¹⁾ | GH (Not a Pin) | GL |
|-------|-------|--------------------|----------------|--------------------------------------|
| L | X | X | L | L |
| H | L | H | H | L |
| H | L | L | L | H, Forward I_L L, Reverse I_L |
| H | X | Tri-State | L | L |
| H | H | H | H | L |
| H | H | L | L | H |

Note: Diode emulation mode is activated when SMOD# is LOW and PWM transition from HIGH to Tri-State. Zero Cross Detection (ZCD) at $I_L * R_{dson(LS)} = 0.5mV$ to turn off GL.

Timing Diagrams

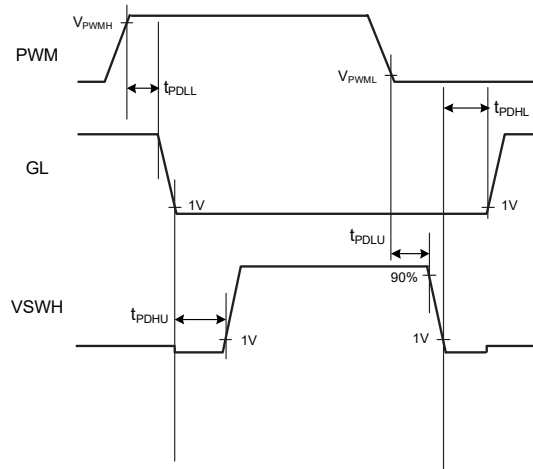


Figure 1. PWM Logic Input Timing Diagram

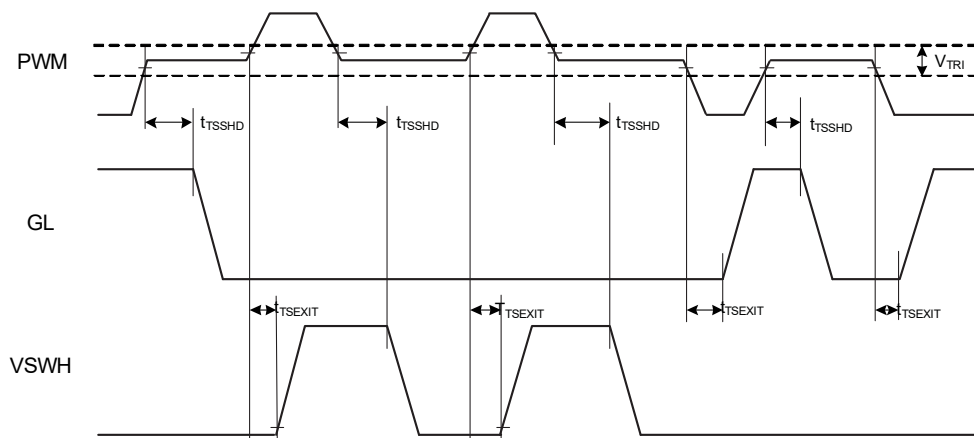


Figure 2. PWM Tri-State Hold Off and Exit Timing Diagram

Typical Characteristics

$T_A = 25^\circ\text{C}$, $V_{IN} = 12\text{V}$, $V_{OUT} = 1.0\text{V}$, $PVCC = VCC = 5\text{V}$, unless otherwise specified.

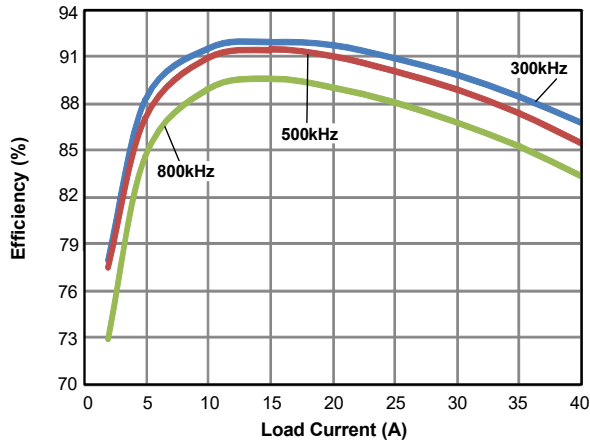


Figure 3. Efficiency vs Load Current

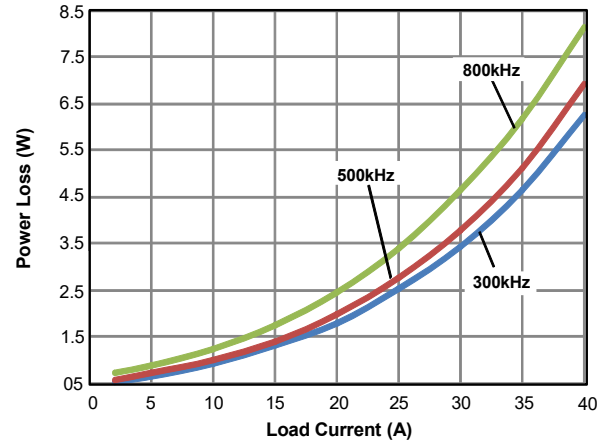


Figure 4. Power Loss vs Load Current

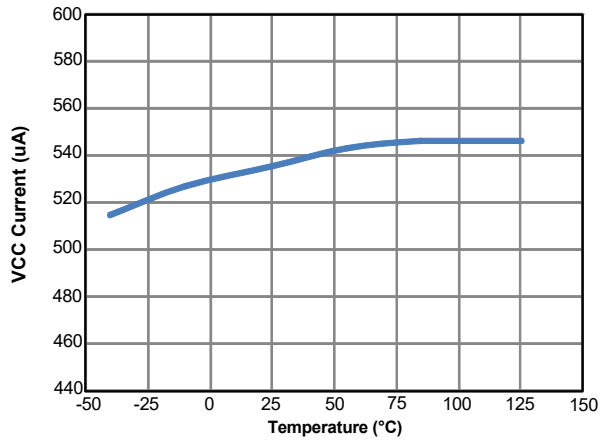


Figure 5. Supply Current (I_{PVCC}) vs. Temperature

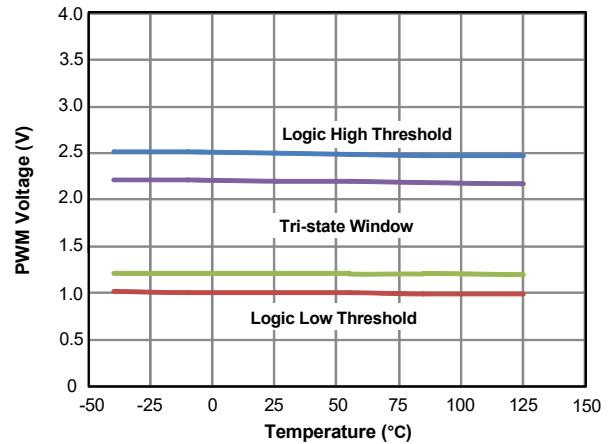


Figure 6. PWM Threshold vs. Temperature

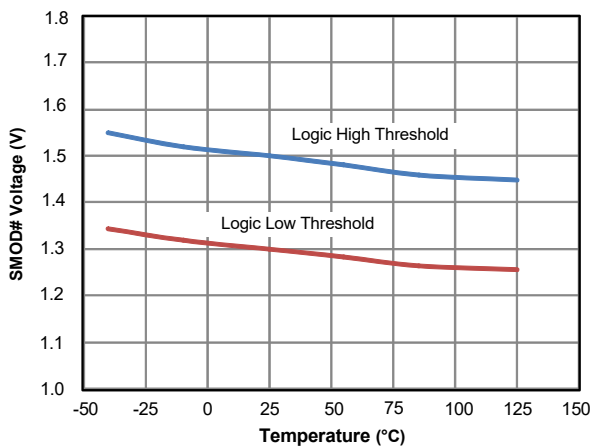


Figure 7. SMOD# Threshold vs. Temperature

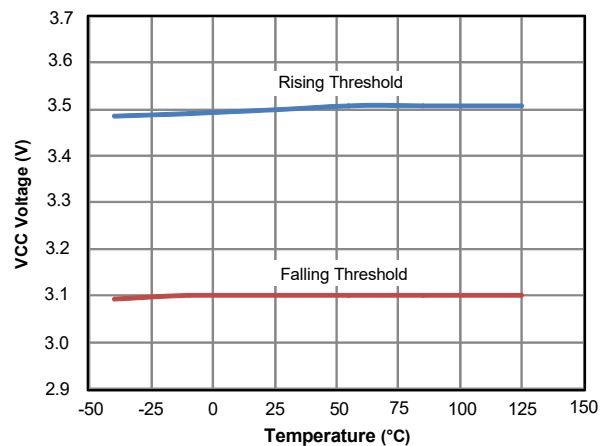


Figure 8. UVLO (V_{CC}) Threshold vs. Temperature

Typical Characteristics (continued)

$T_A = 25^\circ\text{C}$, $V_{IN} = 12\text{V}$, $PVCC = VCC = 5\text{V}$, unless otherwise specified.

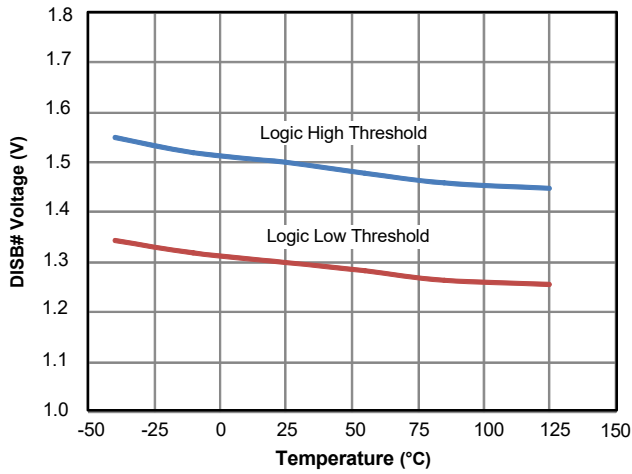


Figure 9. DISB# Threshold vs. Temperature

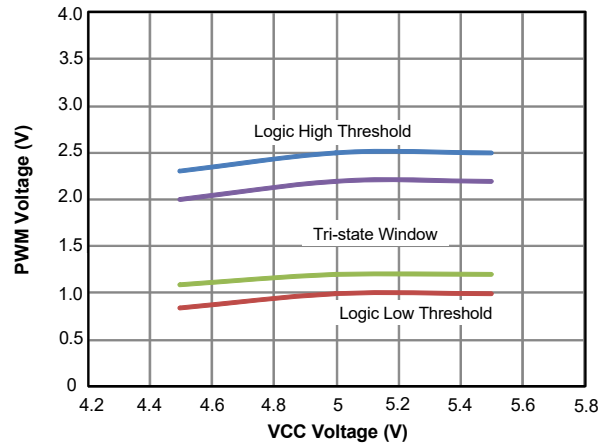


Figure 10. PWM Threshold vs. VCC Voltage

Application Information

AOZ5636QI is a fully integrated power module designed to work over an input voltage range of 4.5V to 20V with a separate 5V supply for gate drive and internal control circuitry. The MOSFETs are individually optimized for efficient operation on both High-Side and Low-Side for a low duty cycle synchronous buck converter. High current MOSFET Gate Drivers are integrated in the package to minimize parasitic loop inductance for optimum switching efficiency.

Powering the Module and the Gate Drives

An external supply $PVCC = 5V$ is required for driving the MOSFETs. The MOSFETs are designed with optimally customized gate thresholds voltages to achieve the most advantageous compromise between fast switching speed and minimal power loss. The integrated gate driver is capable of supplying large peak current into the Low-Side MOSFET to achieve fast switching. A ceramic bypass capacitor of 1mF or higher is recommended from $PVCC$ (Pin 29) to $PGND$ (Pin 28). The control logic supply VCC (Pin 3) can be derived from the gate drive supply $PVCC$ (Pin 29) through an RC filter to bypass the switching noise (See Typical Application Circuit).

The boost supply for driving the High-Side MOSFET is generated by connecting a small capacitor (100nF) between the $BOOT$ (Pin 5) and the switching node $PHASE$ (Pin 7). It is recommended that this capacitor C_{BOOT} should be connected to the device across Pin 5 and Pin 7 as close as possible. A bootstrap switch is integrated into the device to reduce external component count. An optional resistor R_{BOOT} in series with C_{BOOT} between 1Ω to 5Ω can be used to slow down the turn on speed of the High-Side MOSFET to achieve both short switching time and low V_{SWH} switching node spikes at the same time.

Under-voltage Lockout

AOZ5636QI starts up to normal operation when VCC rises above the Under-Voltage LockOut (UVLO) threshold voltage. The UVLO release is set at 3.5V typically. Since the PWM control signal is provided from an external controller or a digital processor, extra caution must be taken during start up. AOZ5636QI must be powered up before PWM input is applied.

Normal system operation begins with a soft start sequence by the controller to minimize in-rush current during start up. Powering the module with a full duty cycle PWM signal may lead to many undesirable consequences due to excessive power. AOZ5636QI provides some protections such as UVLO and thermal monitor. For system level protection, the PWM controller should monitor the current output and protect the load under all possible operating and transient conditions.

Disable (DISB#) Function

The AOZ5636QI can be enabled and disabled through $DISB\#$ (Pin 31). The driver output is disabled when $DISB\#$ input is connected to $AGND$. The module would be in standby mode with low quiescent current of less than 1uA. The module will be active when $DISB\#$ is connected to VCC Supply. The driver output will follow PWM input signal. A weak pull-down resistor is connected between $DISB\#$ and $AGND$.

Power up sequence design must be implemented to ensure proper coordination between the module and external PWM controller for soft start and system enable/disable. It is recommended that the AOZ5636QI should be disabled before the PWM controller is disabled. This would make sure AOZ5636QI will be operating under the recommended conditions.

Input Voltage V_{IN}

AOZ5636QI is rated to operate over a wide input range from 4.5V to 20V. For high current synchronous buck converter applications, large pulse current at high frequency and high current slew rates (di/dt) will be drawn by the module during normal operation. It is strongly recommended to place a bypass capacitor very close to the package leads at the input supply (V_{IN}). Both X7R or X5R quality surface mount ceramic capacitors are suitable.

The High-Side MOSFET is optimized for fast switching by using low gate charges (Q_G) device. When the module is operated at high duty cycle ratio, conduction loss from the High-Side MOSFET will be higher. The total power loss for the module is still relatively low but the High-Side MOSFET higher conduction loss may have higher temperature. The two MOSFETs have their own exposed pads and PCB copper areas for heat dissipation. It is recommended that worst case junction temperature be measured for both High-Side MOSFET and Low-Side MOSFET to ensure that they are operating within Safe Operating Area (SOA).

PWM Input

AOZ5636QI is compatible with 3V and 5V (CMOS) PWM logic. Refer to Figure 1 for PWM logic timing and propagation delays diagram between PWM input and the MOSFET gate drives.

The PWM is also compatible with Tri-State input. When the PWM output from the external PWM controller is in high impedance or not connected both High-Side and Low-Side MOSFETs are turned off and V_{SWH} is in high impedance state. Table 2 shows the thresholds level for high-to-low and low-to-high transitions as well as Tri-State window.

There is a Holdoff Delay between the corresponding PWM Tri-State signal and the MOSFET gate drivers to prevent spurious triggering of Tri-State mode which may be caused by noise or PWM signal glitches. The Holdoff Delay is typically 25ns.

Table 2. PWM Input and Tri-State Threshold

| Threshold | V _{PWMH} | V _{PWML} | V _{TRIH} | V _{TRIL} |
|-----------|-------------------|-------------------|-------------------|-------------------|
| AOZ5636QI | 2.7V | 0.72V | 1.35V | 1.95V |

Note: See Figure 2 for propagation delays and Tri-State window.

Diode Mode Emulation of Low-Side MOSFET (SMOD#)

AOZ5636QI can be operated in the diode emulation or pulse skipping mode using SMOD# (Pin 2). This enables the converter to operate in asynchronous mode during start up, light load or under pre-bias conditions.

When SMOD# is high, the module will operate in Continuous Conduction Mode (CCM). The Driver logic will use the PWM signal and generate both the High-Side and Low-Side complementary gate drive outputs with minimal anti-overlap delays to avoid cross conduction.

When SMOD# is low, the module can operate in Discontinuous Conduction Mode (DCM). The High-Side MOSFET gate drive output is not affected but Low-Side MOSFET will enter diode emulation mode. See Table 1 for all truth table for DISB#, SMOD# and PWM inputs.

Gate Drives

AOZ5636QI has an internal high current high speed driver that generates the floating gate driver for the High-Side MOSFET and a complementary driver for the Low-Side MOSFET. An internal shoot through protection scheme is implemented to ensure that both MOSFETs cannot be turned on at the same time. The operation of PWM signal transition is illustrated as below.

1) PWM from logic Low to logic High

When the falling edge of Low-Side Gate Driver output GL goes below 1V, the blanking period is activated. After a pre-determined value (t_{PDHU}), the complementary High-Side Gate Driver output GH is turned on.

2) PWM from logic High to logic Low

When the falling edge of switching node VSWH goes below 1V, the blanking period is activated. After a pre-determined value (t_{PDHL}), the complementary Low-Side Gate Driver output GL is turned on.

This mechanism prevents cross conduction across the input bus line VIN and PGND. The anti-overlap circuit monitors the switching node VSWH to ensure a smooth transition between the two MOSFETs under any load transient conditions.

Thermal Warning (THWN)

The driver IC temperature is internally monitored and an thermal warning flag at THWN (Pin 30) is asserted if it exceeds 150°C. This warning flag is reset when the temperature drop back to 120°C. THWN is an open drain output that is pulled to AGND to indicate an over-temperature condition. It should be connected to VCC through a resistor for monitoring purpose. The device will not power down during the over temperature condition.

PCB Layout Guidelines

AOZ5636QI is a high current module rated for operation up to 2MHz. This requires fast switching speed to keep the switching losses and device temperatures within limits. An integrated gate driver within the package eliminates driver-to-MOSFET gate pad parasitic of the package or on PCB.

To achieve high switching speeds, high levels of slew rate (dv/dt and di/dt) will be present throughout the power train which requires careful attention to PCB layout to minimize voltage spikes and other transients. As with any synchronous buck converter layout, the critical requirement is to minimize the path of the primary switching current loop formed by the High-Side MOSFET, Low-Side MOSFET, and the input bypass capacitor C_{IN}. The PCB design is greatly simplified by the optimization of the AOZ5636QI pin out. The power inputs of VIN and PGND are located adjacent to each other and the input bypass capacitors C_{IN} should be placed as close as possible to these pins. The area of the secondary switching loop is formed by Low-Side MOSFET, output inductor L1, and output capacitor C_{OUT} is the next critical requirement. This requires second layer or "Inner 1" to be the PGND plane. VIAs should then be placed near PGND pads.

While AOZ5636QI is a highly efficient module, it is still dissipating significant amount of heat under high power conditions. Special attention is required for thermal design. MOSFETs in the package are directly attached to individual exposed pads (VIN and PGND) to simplify thermal management. Both VIN and VSWH pads should be attached to large areas of PCB copper. Thermal relief pads should be placed to ensure proper heat dissipation to the board. An inner power plane layer dedicated to VIN, typically the high voltage system input, is desirable and VIAs should be provided near the device to connect

the VIN pads to the power plane. Significant amount of heat can also be dissipated through multiple PGND pins. A large copper area connected to the PGND pins in addition to the system ground plane through VIAs will further improve thermal dissipation.

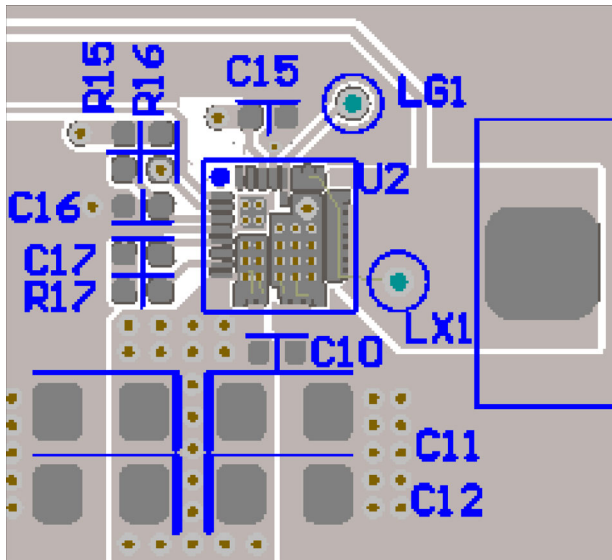


Figure 11. Top Layer of Demo Board, VIN, VSWH and PGND Copper Pads

As shown on Figure. 11, the top most layer of the PCB should comprise of wide and exposed copper area for the primary AC current loop which runs along VIN pad originating from the input capacitors C10, C11 and C12 that are mounted to a large PGND pad. They serve as thermal relief as heat flows down to the VIN exposed pad that fan out to a wider area. Adding VIAs will only help transfer heat to cooler regions of the PCB board through the other layers beneath but serve no purpose to AC activity as all the AC current sees the lowest impedance on the top layer only.

As the primary and secondary (complimentary) AC current loops move through VIN to VSWH and through PGND to VSWH, large positive and negative voltage spike appear at the VSWH terminal which are caused by the large internal di/dt produced by the package parasitic. To minimize the effects of this interference at the VSWH terminal, at which the main inductor L1 is mounted, size just enough for the inductor to physically fit. The goal is to employ the least amount of copper area for this VSWH terminal, only enough so the inductor can be securely mounted.

To minimize the effects of switching noise coupling to the rest of the sensitive areas of the PCB, the area directly underneath the designated VSWH pad or inductor terminal is voided and the shape of this void is replicated

descending down through the rest of the layers. Refer to Figure 12.

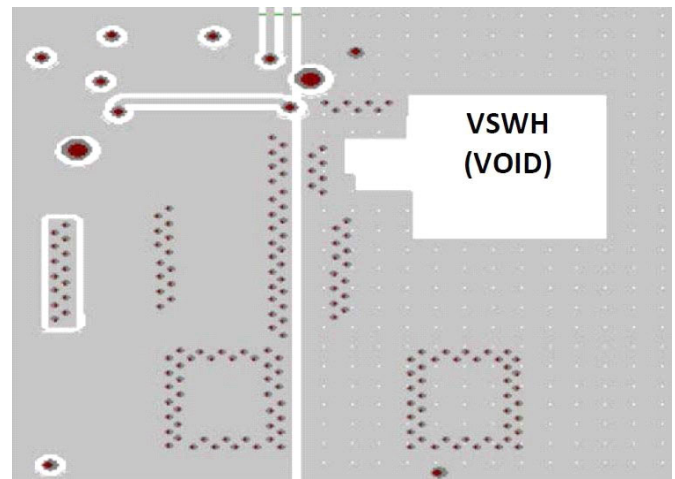
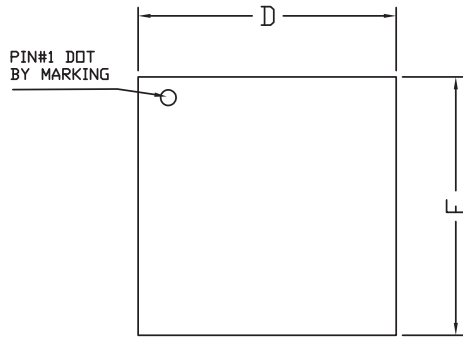


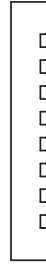
Figure 12. Bottom Layer of PCB

The exposed pads dimensional footprint of the 5x5 QFN package is shown on the package dimensions page. For optimal thermal relief, it is recommended to fill the PGND and VIN exposed landing pattern with 10mil diameter VIAs. 10mil diameter is a commonly used via diameter as it is optimally cost effective based on the tooling bit used in manufacturing. Each via is associated with a 20mil diameter keep out. Maintain a 5mil clearance (127um) around the inside edge of each exposed pad in an event of solder overflow, potentially shorting with the adjacent expose thermal pad.

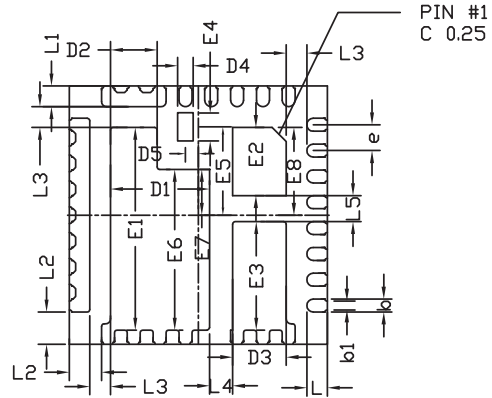
Package Dimensions, QFN5x5A-31L, EP3_S



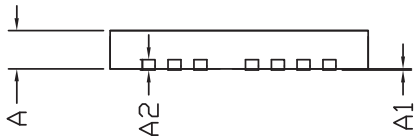
TOP VIEW



SIDE VIEW

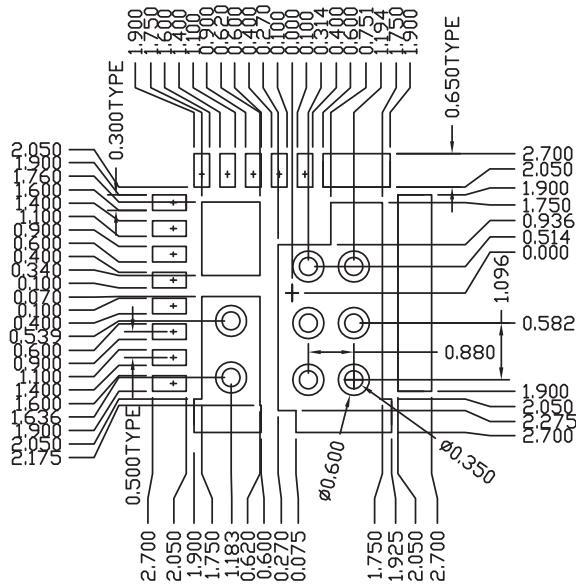


BOTTOM VIEW



SIDE VIEW

RECOMMENDED LAND PATTERN



| SYMBOLS | DIMENSION IN MM | | | DIMENSION IN INCHES | | |
|---------|-----------------|-------|-------|---------------------|-------|-------|
| | MIN | NOM | MAX | MIN | NOM | MAX |
| A | 0.700 | 0.750 | 0.800 | 0.028 | 0.030 | 0.031 |
| A1 | 0.000 | - | 0.050 | 0.000 | - | 0.002 |
| A2 | 0.200REF | | | 0.008REF | | |
| D | 4.900 | 5.000 | 5.100 | 0.193 | 0.197 | 0.201 |
| E | 4.900 | 5.000 | 5.100 | 0.193 | 0.197 | 0.201 |
| D1 | 1.870 | 1.920 | 1.970 | 0.074 | 0.076 | 0.078 |
| D2 | 0.850 | 0.900 | 0.950 | 0.033 | 0.035 | 0.037 |
| D3 | 0.990 | 1.040 | 1.090 | 0.039 | 0.041 | 0.043 |
| D4 | 0.250 | 0.300 | 0.350 | 0.010 | 0.012 | 0.014 |
| D5 | 0.200 | 0.250 | 0.300 | 0.008 | 0.010 | 0.012 |
| E1 | 3.875 | 3.925 | 3.975 | 0.153 | 0.155 | 0.156 |
| E2 | 1.270 | 1.320 | 1.370 | 0.050 | 0.052 | 0.054 |
| E3 | 2.050 | 2.100 | 2.150 | 0.081 | 0.083 | 0.085 |
| E4 | 0.500 | 0.550 | 0.600 | 0.020 | 0.022 | 0.024 |
| E5 | 1.661 | 1.711 | 1.761 | 0.065 | 0.067 | 0.069 |
| E6 | 3.061 | 3.111 | 3.161 | 0.121 | 0.122 | 0.124 |
| E7 | 0.836 | 0.886 | 0.936 | 0.033 | 0.035 | 0.037 |
| E8 | 1.650 | 1.700 | 1.750 | 0.065 | 0.067 | 0.069 |
| L | 0.350 | 0.400 | 0.450 | 0.014 | 0.016 | 0.018 |
| L1 | 0.350 | 0.400 | 0.450 | 0.014 | 0.016 | 0.018 |
| L2 | 0.575 | 0.625 | 0.675 | 0.023 | 0.025 | 0.027 |
| L3 | 0.350 | 0.400 | 0.450 | 0.014 | 0.016 | 0.018 |
| L4 | 0.400 | 0.450 | 0.500 | 0.016 | 0.018 | 0.020 |
| L5 | 0.450 | 0.500 | 0.550 | 0.018 | 0.020 | 0.022 |
| b | 0.200 | 0.250 | 0.300 | 0.008 | 0.010 | 0.012 |
| b1 | 0.130 | 0.180 | 0.230 | 0.005 | 0.007 | 0.009 |
| e | 0.500BSC | | | 0.020BSC | | |

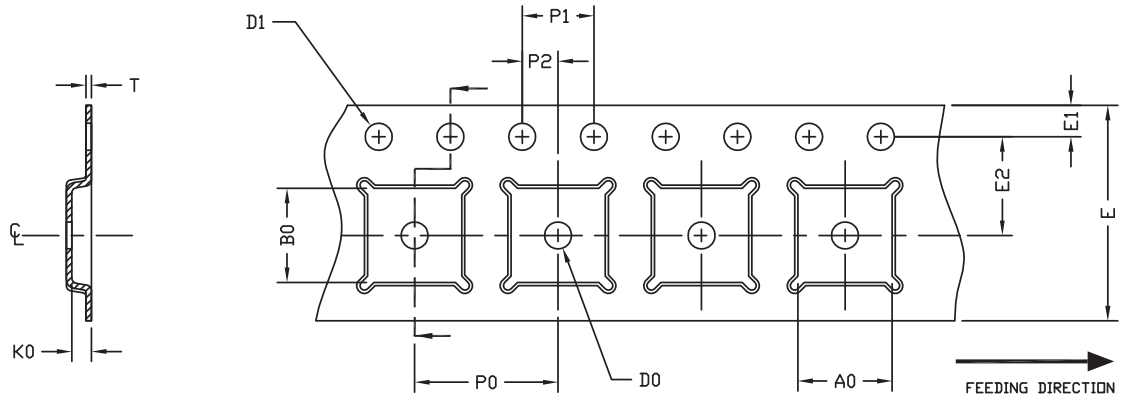
UNIT: mm

NOTE

CONTROLLING DIMENSION IS MILLIMETER.
CONVERTED INCH DIMENSIONS ARE NOT NECESSARILY EXACT.

Tape and Reel Drawing, QFN5x5A-31L, EP3_S

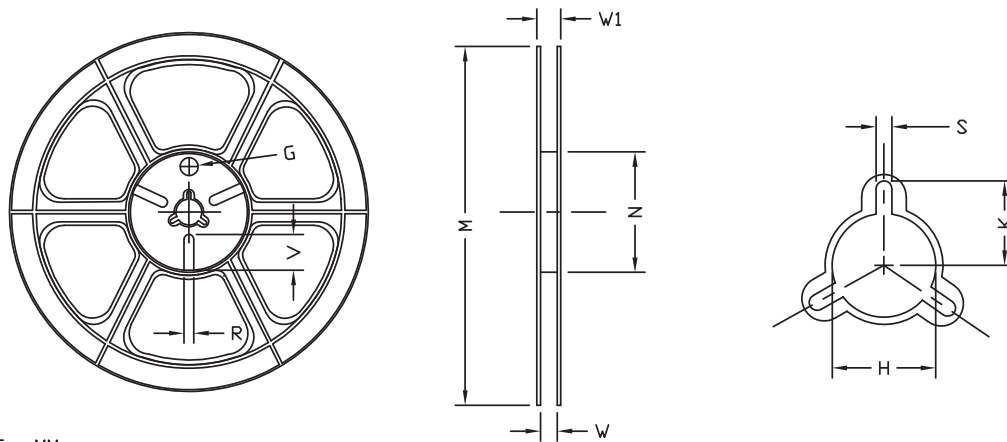
Carrier Tape



UNIT: MM

| PACKAGE | A0 | B0 | K0 | D0 | D1 | E | E1 | E2 | P0 | P1 | P2 | T |
|-------------------|---------------|---------------|---------------|--------------|--------------------------|--------------|---------------|---------------|---------------|---------------|---------------|---------------|
| QFN5x5 (12 mm) | 5.25 ±0.10 | 5.25 ±0.10 | 1.10 ±0.10 | 1.50 MIN. | 1.50 $+0.1$ -0.0 | 12.0 ±0.3 | 1.75 ±0.10 | 5.50 ±0.05 | 8.00 ±0.10 | 4.00 ±0.10 | 2.00 ±0.05 | 0.30 ±0.05 |

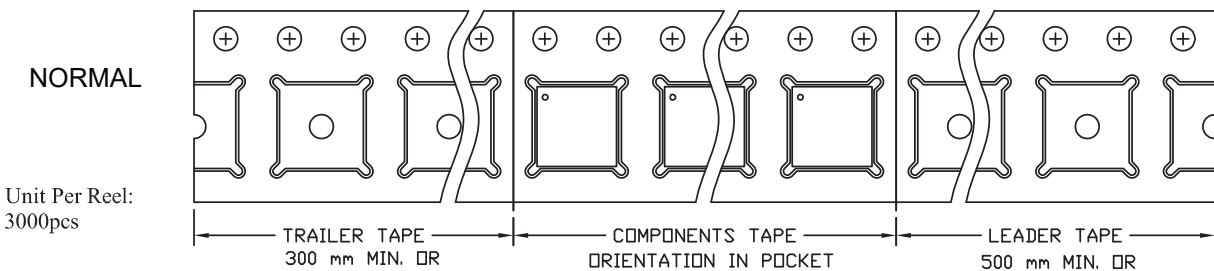
Reel



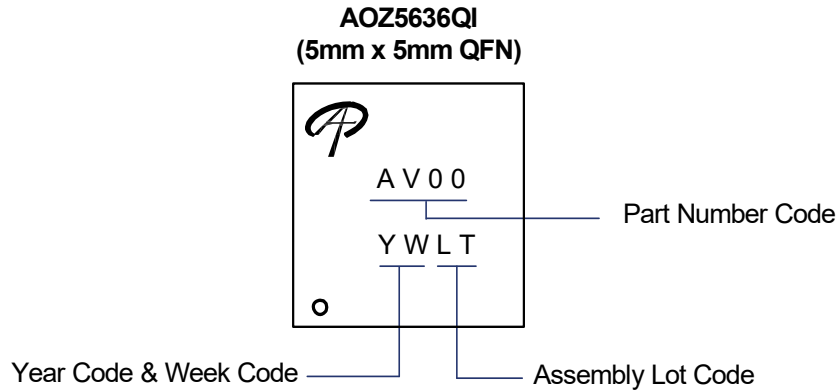
UNIT: MM

| TAPE SIZE | REEL SIZE | M | N | W | W1 | H | K | S | G | R | V |
|-----------|-----------|----------------|---------------|--------------------------|--------------------------|---------------|--------------|-------------|-----|-----|-----|
| 12 mm | ø330 | ø330.0 ±2.0 | ø79.0 ±1.0 | 12.4 $+2.0$ -0.0 | 17.0 $+2.6$ -1.2 | ø13.0 ±0.5 | 10.5 ±0.2 | 2.0 ±0.5 | --- | --- | --- |

Leader/Trailer & Orientation



Part Marking



LEGAL DISCLAIMER

Applications or uses as critical components in life support devices or systems are not authorized. AOS does not assume any liability arising out of such applications or uses of its products. AOS reserves the right to make changes to product specifications without notice. It is the responsibility of the customer to evaluate suitability of the product for their intended application. Customer shall comply with applicable legal requirements, including all applicable export control rules, regulations and limitations.

AOS' products are provided subject to AOS' terms and conditions of sale which are set forth at:

http://www.aosmd.com/terms_and_conditions_of_sale

LIFE SUPPORT POLICY

ALPHA AND OMEGA SEMICONDUCTOR PRODUCTS ARE NOT AUTHORIZED FOR USE AS CRITICAL COMPONENTS IN LIFE SUPPORT DEVICES OR SYSTEMS.

As used herein:

- | | |
|---|---|
| <p>1. Life support devices or systems are devices or systems which, (a) are intended for surgical implant into the body or (b) support or sustain life, and (c) whose failure to perform when properly used in accordance with instructions for use provided in the labeling, can be reasonably expected to result in a significant injury of the user.</p> | <p>2. A critical component in any component of a life support, device, or system whose failure to perform can be reasonably expected to cause the failure of the life support device or system, or to affect its safety or effectiveness.</p> |
|---|---|