

Grove - Coulomb Counter 3.3V to 5V (LTC2941)

SKU 101020593

The coulomb (symbol: C) is the International System of Units (SI) unit of electric charge. It is the charge (symbol: Q or q) transported by a constant current of one ampere in one second: $1C=1A \cdot 1s$. A Coulomb Counter is a device to measure the current that your devices or sensors is using.

The Grove - Coulomb Counter 3.3V to 5V (LTC2941) is based on LTC2941, its operating range is perfectly suited for single-cell Li-Ion batteries. A precision coulomb counter integrates current through a sense resistor between the battery's positive terminal and the load or charger. This module measures the amount of amp-hours have been used, if you use a fully charged battery, you can test the amount of battery you have used, the remaining percentage, just like the remaining battery shown in your phone. Vice versa, if you are charging a battery, you can use this module to monitor the charging process.

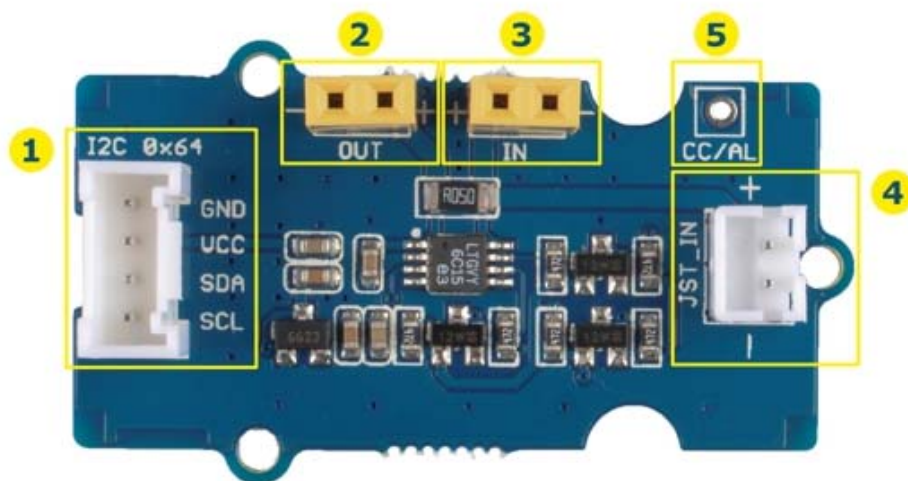
Features

- Indicates Accumulated Battery Charge and Discharge
- High Accuracy Analog Integration
- 1% Charge Accuracy
- SMBus/I2C Interface

Typical Applications

- Low Power Handheld Products
- Cellular Phones
- MP3 Player
- Cameras
- GPS

Pin Out



- 1 Grove Interface: I2C (Address: 0x64)
- 2 Out- Connect to load or charger
- 3 In- Power Input: 3V3~5V
- 4 3.7V~4.2V Li-PO Interface (2Pin-2.0mm) : Power Input
- 5 Alarm Pin

Technical Details

Dimensions	40mm x 20mm x 12mm
Weight	G.W 9.70g
Battery	Exclude

Part List

Grove - Coulomb Counter 3.3V to 5V (LTC2941)	1
Grove Cable	1

ECCN/HTS

ECCN	EAR99
HSCODE	9030339000

