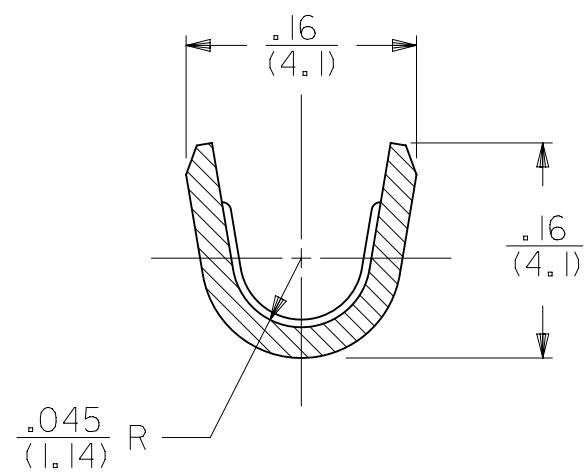
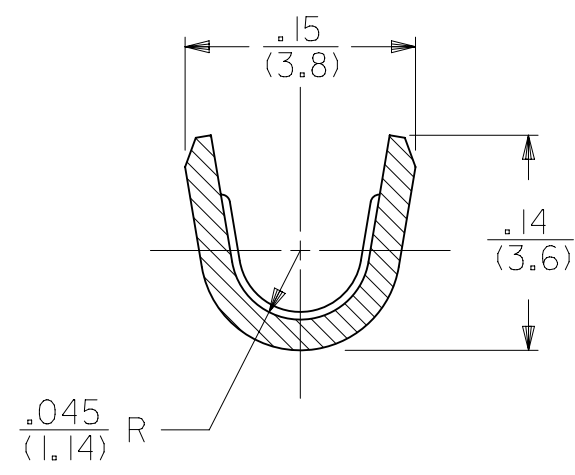


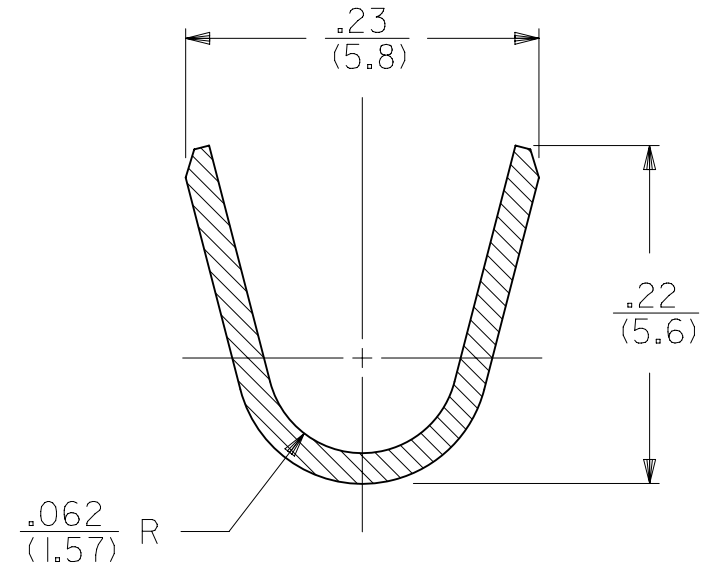
SECTION A-A
SCALE 8:1



SECTION B-B
SCALE 8:1
14 AWG WIRE

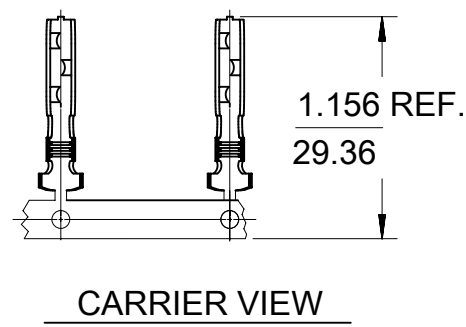


SECTION B-B
SCALE 8:1
18-16 AWG WIRE

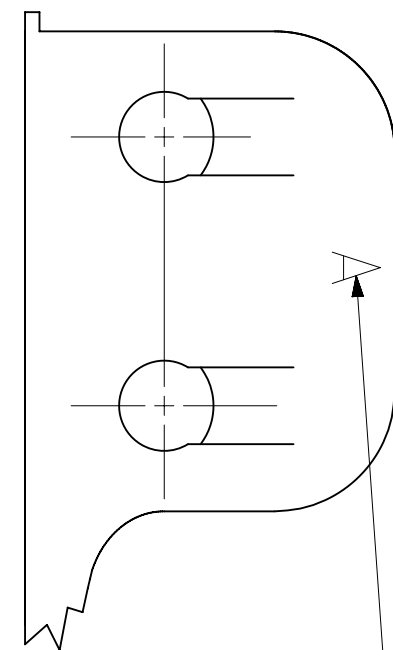


SECTION C-C
SCALE 8:1

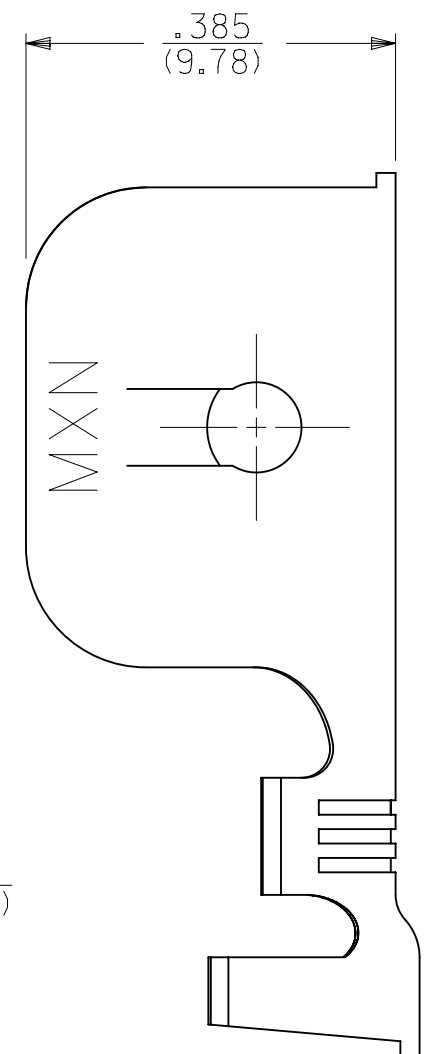
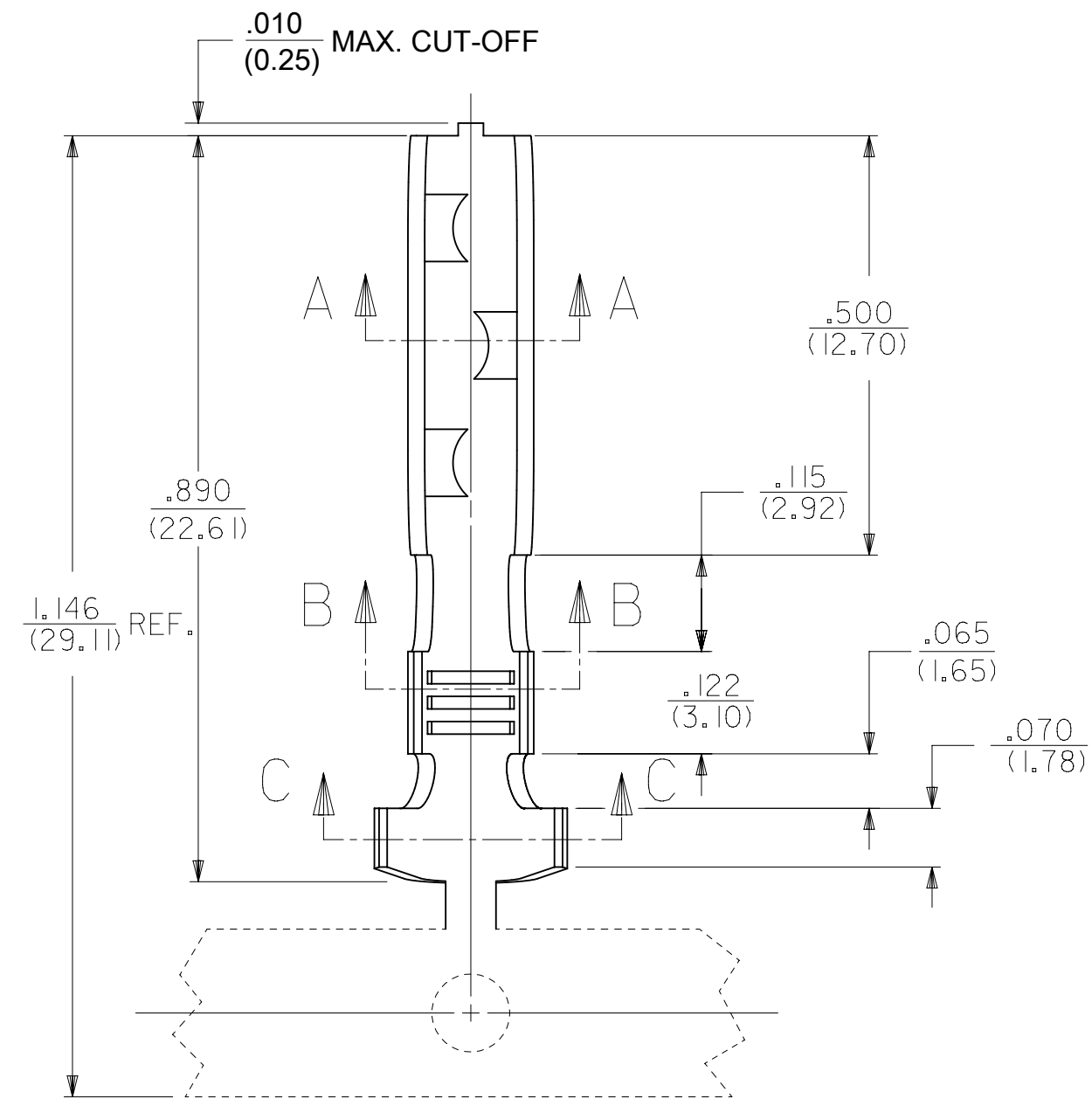
- NOTES:
1. MATERIAL: 301 STAINLESS STEEL, .020 / (0.51) THICK
 2. FINISH: NONE
 3. PRODUCT SPECIFICATION: NONE
 4. PACKAGING SPECIFICATION: 421720001-PK
 5. THIS GROUND CLIP CRIMPS TO 14-18 AWG WIRE WITH .031/0.79 THICK INSULATION. SEE CHART FOR WIRE AWG AND RECOMMENDED PANEL THICKNESS.
 6. THIS CLIP IS INTENDED FOR USE AS A SECONDARY GROUND.



CARRIER VIEW



CLIP IDENTIFICATION
LETTER(S) IN ENGINEERING NO. SUFFIX
42172 - **1
SEE CHART



40-06-2014	42172-AA1	AA	.008/(0.20)	.15/(3.8)	.015/(0.38)-.035/(0.89)	14 AWG	2x 16 AWG
50-29-1597	42172-H1	H	.035/(0.89)	.17/(4.3)	.045/(1.14)-.060/(1.52)	16-18 AWG	2x 18 AWG OR 1x 18 AWG AND 1x 16 AWG
40-06-2013	42172-C1	C	.050/(1.27)	.17/(4.3)	.060/(1.52)-.075/(1.91)		
40-06-2005	42172-B1	B	.025/(0.64)	.17/(4.3)	.035/(0.89)-.050/(1.27)		
40-06-2003	42172-A1	A	.008/(0.20)	.15/(3.8)	.015/(0.38)-.035/(0.89)		
40-06-2024	42172-G1	G	.004/(0.10)	.15/(3.8)	.015/(0.38)-.035/(0.89)		
PART NO.	ENG. NO.	CLIP I.D. LETTER	DIM. "D"	DIM. "E"	PANEL THICKNESS RANGE	SINGLE WIRE GAGE	DOUBLE WIRE COMBINATION

THIS DRAWING CONTAINS INFORMATION THAT IS PROPRIETARY TO MOLEX ELECTRONIC TECHNOLOGIES, LLC AND SHOULD NOT BE USED WITHOUT WRITTEN PERMISSION									
DIMENSION UNITS IN/MM		SCALE 5:1		CURRENT REV DESC: REVISE NOTES, ADD CLIP ID TO CHART					
GENERAL TOLERANCES (UNLESS SPECIFIED)				MM		INCH		EC NO: 720821	
4 PLACES	±		±					DRWN: MKIPPER 2022/04/22	
3 PLACES	±		±	0.01				CHK'D: RICARC13 2022/10/17	
2 PLACES	±	0.25	±	0.014				APPR: FSMITH 2022/10/21	
1 PLACE	±	0.35	±	0.01				INITIAL REVISION:	
0 PLACES	±		±					DRWN: MAB 1992/07/24	
ANGULAR TOL ± 0.5°				THIRD ANGLE PROJECTION		DRAWING		SERIES	
DRAFT WHERE APPLICABLE MUST REMAIN WITHIN DIMENSIONS						C-SIZE		42172	
DOCUMENT NUMBER			CUSTOMER			DOC TYPE		DOC PART	
SD-42172-XX			GENERAL MARKET			PSD		001 T2	
MATERIAL NUMBER			CUSTOMER			SHEET NUMBER			
SEE TABLE			GENERAL MARKET			1 OF 1			