

VP-Series

Illuminated Indicators

[PRODUCT WEBPAGE](#)

request sample, configure part



The VP-Series illuminated plug offers an additional design option for the modular and flexible V-Series Contura® system. It is offered with removable and replaceable lamps, Contura styling, and LED illumination with your choice of one or two lenses.

1-2
LED's

125-250
VAC

12-24
VDC

Typical Applications

- On/Off-Highway

Ordering Scheme

Flush Housing

Sample Part Number **VP 1 6 6 - B 1 1 6 6 - 00 0 00**

Selection 1 2 3 4 5 6 7 8 9 10 11 12

1. SERIES

VP Illuminated plug for V and J Mounting Hole
H2 Housing only
H3 Lamp module only

2. TERMINATION

1 .250 TAB (QC)

3, 4. LAMP 4

No lamp	0				
Neon	1 125VAC		2 250VAC		
Incandescent	4 3V	5 6V	6 12V	7 18V	8 24V
LED*	Amber	Green	Red		
2VDC	L	F	R		
6VDC	M	G	S		
12VDC	N	H	T		
24VDC	P	J	V		

*Typical current draw for LED is 20ma.

5. FLUSH HOUSING COLOR / STYLE

B Black / Rectangular
W White / Rectangular
R Red / Rectangular
G Gray / Rectangular
1 Black / Oval (Contura V)

6, 7. LENS STYLE 5

Z No Lens
1 Transparent Diamond Square
2 Translucent Square ⁹
3 Laser Etched ¹⁰
4 Transparent Oval
5 Translucent Oval
6 Laser Etched Oval ¹⁰

8, 9. LENS COLOR 6,11

Z	No Lens					
Clear	White	Amber	Green	Red	Blue	Lens Style
4	9	E	K	R	W	One piece lens
5	A	F	L	S	Y	Two piece lens* (with clear top protective lens)
2	7	C	H	N	U	Two piece lens* (with smoke top protective lens)
1	6	B	G	M	T	Two piece lens* (with white top protective lens)

*All bottom lenses are molded of opaque material. Consult factory for other lens colors.

10. LENS LEGEND OVER LAMP 1 7

00 No legend
 For standard legends, see "Standard Legend Codes" page.
 For additional legends, please consult factory

11. LEGEND ORIENTATION

0 No legend
1 Orientation 1
2 Orientation 2
3 Orientation 3
4 Orientation 4

12. LENS LEGEND OVER LAMP 2 7

00 No legend
 For standard legends, see "Standard Legend Codes" page.
 For additional legends, please consult factory

- Notes:
- To order housing only, specify H2 followed by fields 5-11.
 - To order lamp module only, specify H3 followed by fields 2-3.
 - To order connector housing specify HPI-01 (black).
 - Field 3 specifies lamp 1 is located over terminals 1A & 1B. Field 4 specifies lamp 2 is located over terminals 2A & 2B.
 - Field 6 specifies lens 1 is located over terminals 1A & 1B. Field 7 specifies lens 2 is located over terminals 2A & 2B.
 - Field 8 specifies lens 1 is located over terminals 1A & 1B. Field 9 specifies lens 2 is located over terminals 2A & 2B.
 - Field 10 specifies legend is over lens 1. Field 12 specifies legend is over lens 2.
 - If only one lens is chosen, it will be located over terminals 1A & 1B.
 - Translucent lens is available with two piece lens option only.
 - Laser etched option is available with one piece lens.
 - Oval lens option is available as one piece lens.

[Configure Complete Part Number >](#) [Browse Standard Parts >](#)

Ordering Scheme

Raised Bracket

Sample Part Number	VP	1	6	6	-	6	1	1	6	6	-	00	0	00
Selection	1	2	3	4	5	6	7	8	9	10	11	12		

1. SERIES

VP Illuminated plug for V and J Mounting Hole

2. TERMINATION

- 1 .250 TAB (QC)
- 2 Solder Lug

3, 4. LAMP 1

No lamp	0					
Neon	1 125VAC	2 250VAC				
Incandescent	4 3V	5 6V	6 12V	7 18V	8 24V	
LED*	Amber	Green	Red			
2VDC	L	F	R			
6VDC	M	G	S			
12VDC	N	H	T			
24VDC	P	J	V			

*Typical current draw for LED is 20ma.

5. RAISED BRACKET / INSERT COLOR

- 5 White / White
- 6 Black / Black
- 7 White / Black
- 8 Black / White

6, 7. LENS STYLE 2

- Z No Lens
- 1 Transparent Diamond Square
- 2 Translucent Square 6
- 3 Laser Etched 7

8, 9. LENS COLOR 3

Z	No Lens					
Clear	White	Amber	Green	Red	Blue	Lens Style
4	9	E	K	R	W	One piece lens
5	A	F	L	S	Y	Two piece lens*
						(with clear top protective lens)
2	7	C	H	N	U	Two piece lens*
						(with smoke top protective lens)
1	6	B	G	M	T	Two piece lens*
						(with white top protective lens)

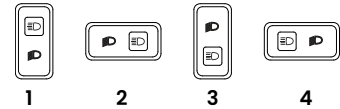
*All bottom lenses are molded of opaque material. Consult factory for other lens colors.

10 LENS LEGEND OVER LAMP 1 4

- 00 No legend
- For standard legends, see "Standard Legend Codes" page. For additional legends, please consult factory

11 LEGEND ORIENTATION

- 0 No legend
- 1 Orientation 1
- 2 Orientation 2
- 3 Orientation 3
- 4 Orientation 4



12 LENS LEGEND OVER LAMP 2 4

- 00 No legend
- For standard legends, see "Standard Legend Codes" page. For additional legends, please consult factory

Notes:

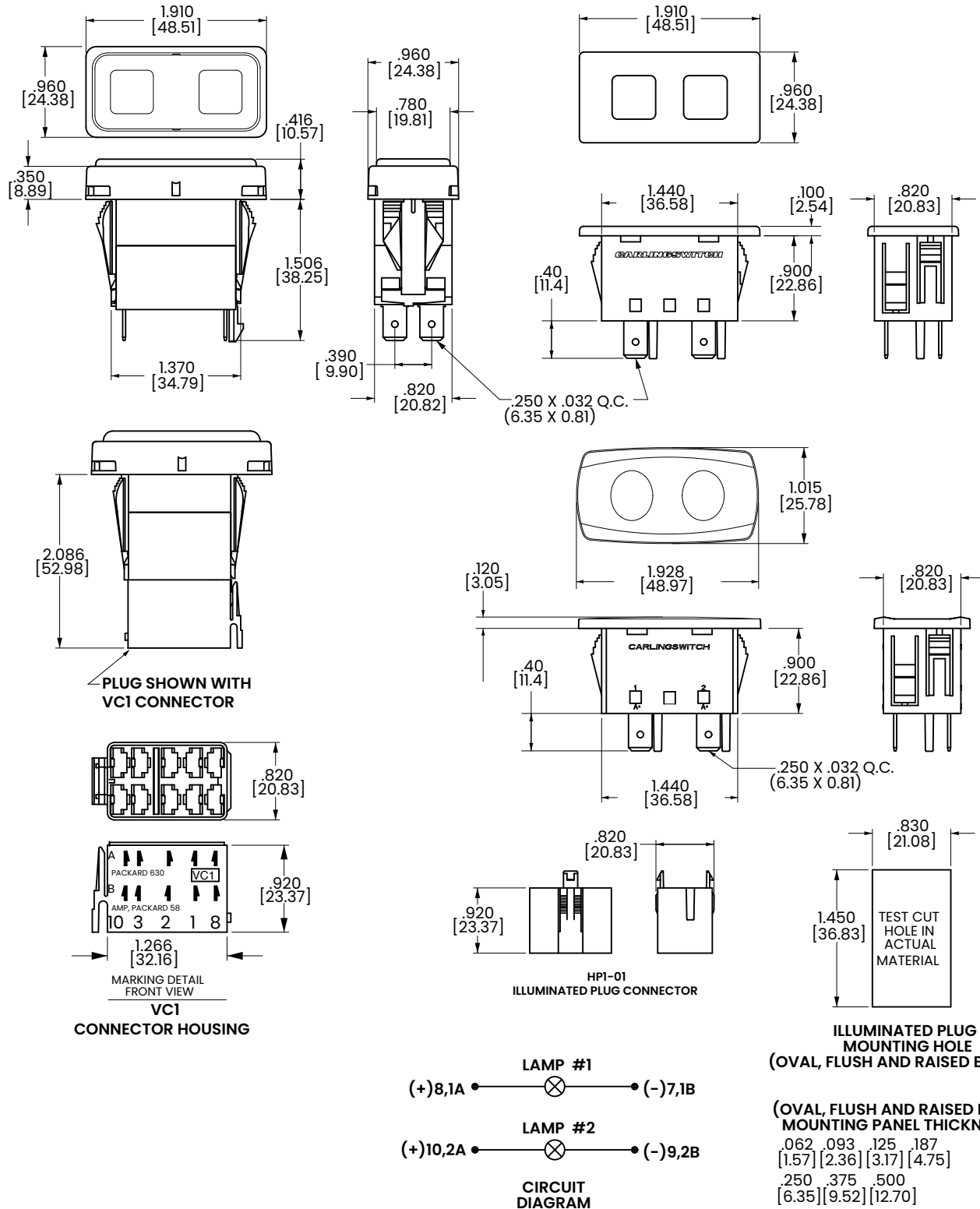
- 1 Field 3 specifies lamp 1 is located over terminals 8 (+) & 7 (-).
Field 4 specifies lamp 2 is located over terminals 10 (+) & 9 (-).
- 2 Field 6 specifies lens 1 is located over terminals 8 (+) & 7 (-).
Field 7 specifies lens 2 is located over terminals 10 (+) & 9 (-).
- 3 Field 8 specifies lens 1 is located over terminals 8 (+) & 7 (-).
Field 9 specifies lens 2 is located over terminals 10 (+) & 9 (-).
- 4 Field 10 specifies legend is over lens 1.
Field 12 specifies legend is over lens 2.
- 5 If only one lens is chosen, it will be located over terminals 8 (+) & 7 (-).
- 6 Translucent lens is available with two piece lens option only.
- 7 Laser etched option is available with one piece lens.

[Configure Complete Part Number >](#)

[Browse Standard Parts >](#)

Dimensional Specs

inches [millimeters]



Notes:
Oval and flush bezel styles use terminals 1A, 1B, 2A, 2B. Raised bezel style uses terminals 7, 8, 9, 10.

Standard Legend Codes

YK	UA	UB	US	UV	UW	UX	UY	MP	MR	PX	MS	MT
VU	MW	NZ	NX	NY	YM	VW	PS	PW	PZ	WG	WM	RN
RP	YG	TX	VD	VE	VF	VG	SH	SM	SN	SP	SR	SY
DIM	BRIGHT	UH	UJ	PD	PE	PF	VC	VJ	UF	UG	MU	TN
WY	WZ	WIPER	VZ	YE	NN	RW	PU	WA	YN	UE	NM	RJ
NS	PB	SE	VR	SL	VA	UC	VN	PK	VY	UZ	RH	NU
NR	YD	TL	VR	SL	VA	UC	VN	PK	VY	UZ	RH	NU
NV	RB	RC	RK	RL	MZ	RG	UP	DOWN	UD	UR	WD	TY
PA	UK	WR	UU	UT	YR	PM	VV	WB	TB	TC	TD	TE
MY	PV	TA	TZ	WC	PT	PN	PH	RA	TU	TT	YL	SK
VS	UL	UM	WK	TS	VT	WL	VP	YJ	PJ	RY	UP	NW
NP	RE	RF	PP	PR	TV	PC	YT	YU	PL	WJ	MV	RR
TK	RT	SEAT	VX	WF	WH	PG	SJ	YA	YB	RM	TM	RD
RS	UN	TP	TR	NT	MX	YC	TW	TJ	YF	TH	TF	TG
YS	YH	AUX	ON OFF	OFF ON	I O	O I	OFF ON	ON	OFF	I	O	II
RAISE	LOWER	HIGH	LOW	FWD	REV	DEPTH	TRIM TAB	ACC	NAV ANCH	WIND LASS UP/DN	LIVE WELL	REAR
ST	SU	WU	WV	SV	SW	VB	VH	VK	VL	VM	WE	SF
PARK	AUTO	RU	RV	RX								
SG	SS											

Authorized Sales Representatives and Distributors

Click on a region of the map below to find your local representatives and distributors or visit www.carlingtech.com/findarep.



About Carling

Founded in 1920, Carling Technologies is a leading manufacturer of electrical and electronic switches and assemblies, circuit breakers, electronic controls, power distribution units, and multiplexed power distribution systems. With six ISO9001 and IATF16949 registered manufacturing facilities and technical sales offices worldwide, Carling Technologies Sales, Service and Engineering teams do much more than manufacture electrical components, they engineer powerful solutions! To learn more about Carling please visit www.carlingtech.com/company-profile.

To view all of Carling's environmental, quality, health & safety certifications please visit www.carlingtech.com/environmental-certifications.

© Carling Technologies, Inc.

6. Carling, Contura are registered trademarks of Carling Technologies, Inc. in the U.S. and other countries.