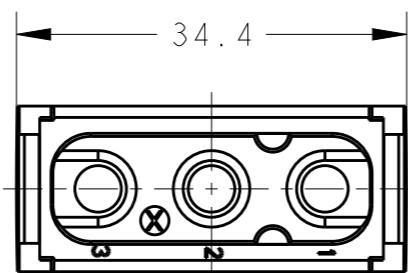
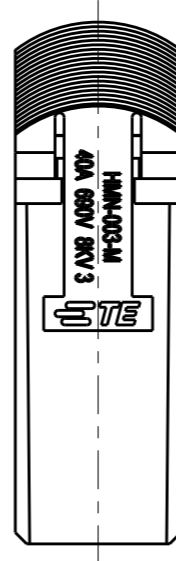
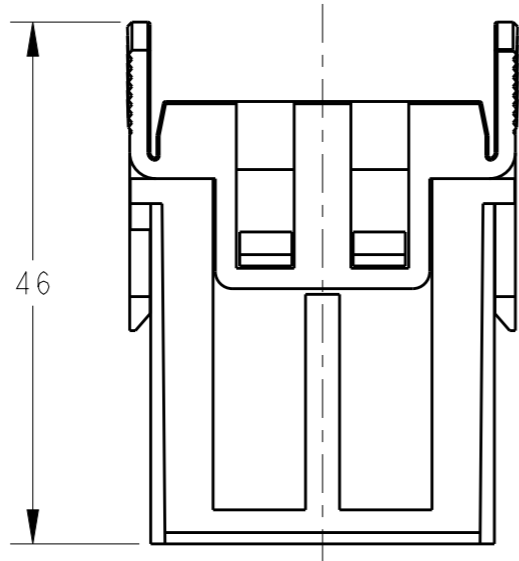
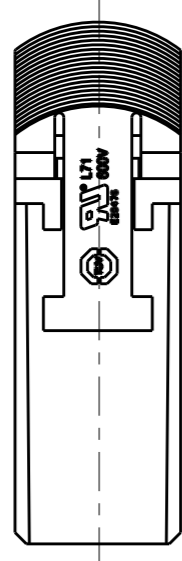
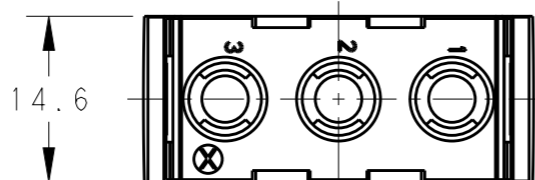
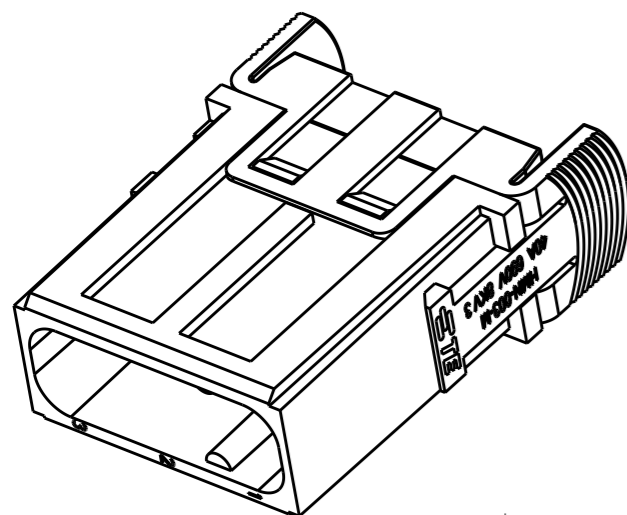


REVISIONS

P	LTR	DESCRIPTION	DATE	DWN	APVD
A		INITIAL	16APR2015	DW	CW
B		ECR-15-018270	09DEC2015	DW	CW
B1		ECR-18-018657	29NOV2018	CD	CW
C		ECR-19-006822	21MAY2019	BS	CW

TYPE I
类型 I



NOTES:

- TECHNICAL CHARACTERISTICS:
 INSULATION MATERIAL: PC
 RATED VOLTAGE: 690V
 RATED CURRENT: 40A
 INSULATION RESISTANCE: >=400MΩ
 RATED IMPULSE VOLTAGE: 8KV
 POLLUTION DEGREE: 3
 FLAMMABILITY: UL94V-0
 MATING CYCLES: 500 CYCLES
 OPERATION TEMPERATURE: -40~+125°C
 WIRE RANGE: 1~6 mm² (18~10 AWG)
 CONTACT TYPE: CRIMP CONTACT
- CONTACT NEED TO BE ORDERED SEPARATELY.
 (ORDER No. REFER TO DRAWING: T20400X10XX000)

注释:

- 技术参数:
 绝缘材料: PC
 额定电压: 690V
 额定电流: 40A
 绝缘电阻: >=400MΩ
 额定脉冲电压: 8KV
 污染等级: 3
 阻燃等级: UL94V-0
 插拔次数: 500次
 工作温度: -40~+125°C
 接线范围: 1~6 mm² (18~10 AWG)
 接线类型: 冷压接
- 端子需要单独订购。
 (订货号参考图面: T20400X10XX000)

THIS DRAWING IS A CONTROLLED DOCUMENT.

DIMENSIONS: mm	
MATERIAL -	

TOLERANCES UNLESS OTHERWISE SPECIFIED:	
0 PLC	±-
1 PLC	±-
2 PLC	±-
3 PLC	±-
4 PLC	±-
ANGLES	±-
FINISH -	

DWN	16APR2015
CHK	David Wang
CHK	Chris Wang
APVD	Xiang Xu
PRODUCT SPEC	108-137118
APPLICATION SPEC	114-137118
WEIGHT	-
Customer Drawing	

TE Connectivity		NAME HMN-003-M	
		SIZE A3	CAGE CODE 00779
SCALE 3:2		SHEET 1 OF 2	REV C

THIS DRAWING IS UNPUBLISHED.

RELEASED FOR PUBLICATION

20

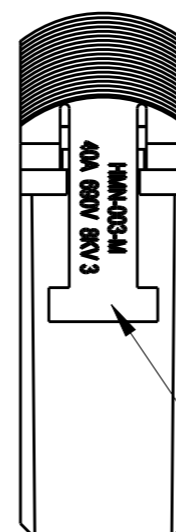
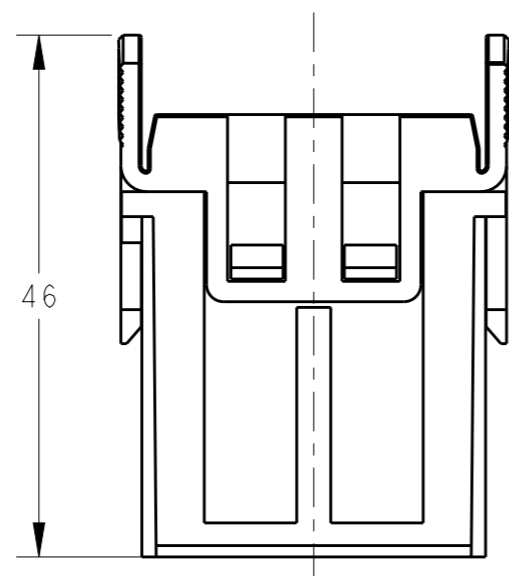
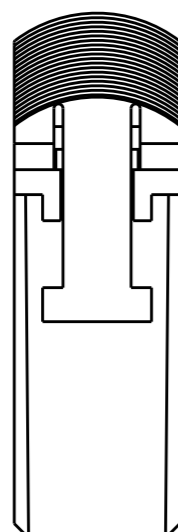
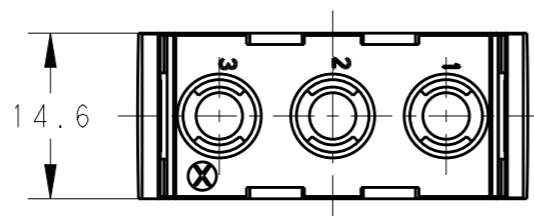
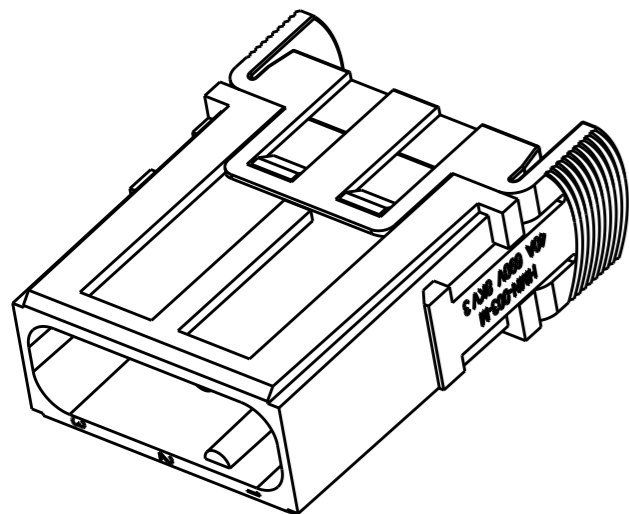
© COPYRIGHT 20 BY -

ALL RIGHTS RESERVED.

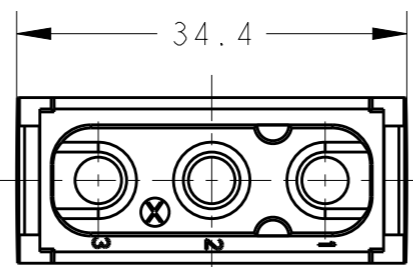
REVISIONS

P	LTR	DESCRIPTION	DATE	DWN	APVD
-		SEE SHEET 1	-	-	-

TYPE 2: NO LOGO
类型2: 无LOGO



NO LOGO
无LOGO



NOTES:
SEE SHEET 1
备注:
见 SHEET 1

T2111032101-002	HMN-003-M	HMN-003 FEMALE MODULE INSERT, NO LOGO HMN-003 模块母插, 无LOGO	TYPE2 类型2
T2111032101-000	HMN-003-M	HMN-003 FEMALE MODULE INSERT HMN-003 模块母插	TYPE1 类型1
PART NUMBER 料号	PART DESCRIPTION 描述		TYPE 类型

THIS DRAWING IS A CONTROLLED DOCUMENT.		DWN 16APR2015 David Wang			
DIMENSIONS: mm		CHK 16APR2015 Chris Wang			NAME HMN-003-M
TOLERANCES UNLESS OTHERWISE SPECIFIED:		APVD 16APR2015 Xiang Xu			PRODUCT SPEC 108-137118
0 PLC ±- 1 PLC ±- 2 PLC ±- 3 PLC ±- 4 PLC ±- ANGLES ±-		APPLICATION SPEC 114-137118			SIZE A3
MATERIAL -	FINISH -	WEIGHT -	CAGE CODE 00779	DRAWING NO T2111032101000	RESTRICTED TO -
Customer Drawing			SCALE 3:2	SHEET 2 OF 2	REV C