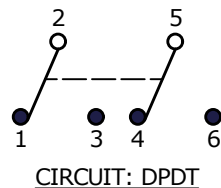


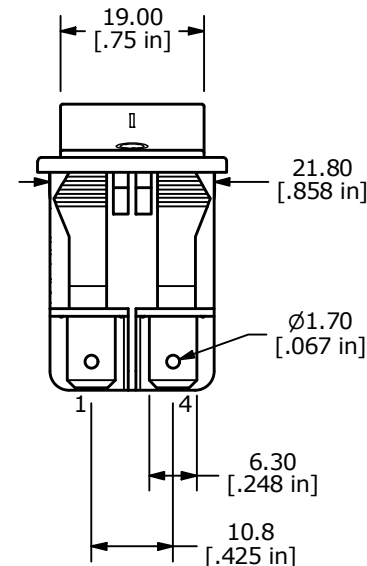
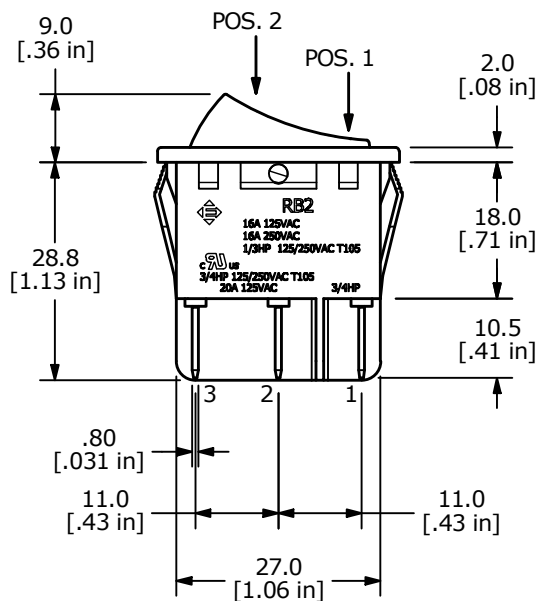
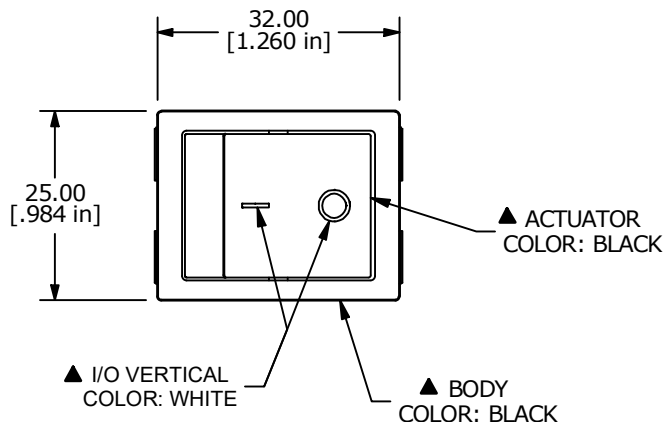
RECOMMENDED PANEL CUTOUT

PANEL THICKNESS	(x)
0.75 - 1.25	30.0
1.25 - 2.00	30.2
2.00 - 3.00	30.5

SWITCH FUNCTION	
POS. 1	POS. 2
ON	ON
2-3, 5-6	2-1, 5-4



- NOTE:
- DIMENSIONS IN MM [INCH]
 - GENERAL TOLERANCE: X.X = ±0.4
X.XX = ±0.25
 - TERMINAL NUMBERS FOR REF ONLY
 - CONTACT MATERIAL: SILVER
 - CONTACT RATINGS: 16A @ 125/250VAC [cURus]
20A @ 125/250VAC [cURus]
1/3HP 125/250VAC T105 [cURus]
3/4HP 125/250VAC T105 [cURus]
16(8)A 250V~ 1E4 T125 [VDE, ENEC]
10(2)A 250V~ 5E4 [VDE, ENEC]
16(4)A 250V~ 1E4 T85/55 [VDE, ENEC]
 - CONTACT RESISTANCE: 20mΩ MAX. INITIAL
 - INSULATION RESISTANCE: 100MΩ MIN. @ 500VDC
 - DIELECTRIC STRENGTH: 1,000VAC FOR 1 MINUTE
 - ELECTRICAL LIFE: 6,000 CYCLES [cURus]
 - OPERATING TEMPERATURE: -20°C to 55°C [cURus]
 - ▲ DENOTES CRITICAL PARAMETER
 - ILLUMINATION: NON-ILLUMINATED



A	24429	RELEASE	8/6/20	MW
REV	PCR NO	DESCRIPTION	DATE	BY

TITLE RB24GD1121				
SCALE 1:1	DATE 8/4/2020	DR MW	DWG 14-RB24GD1121	REV A