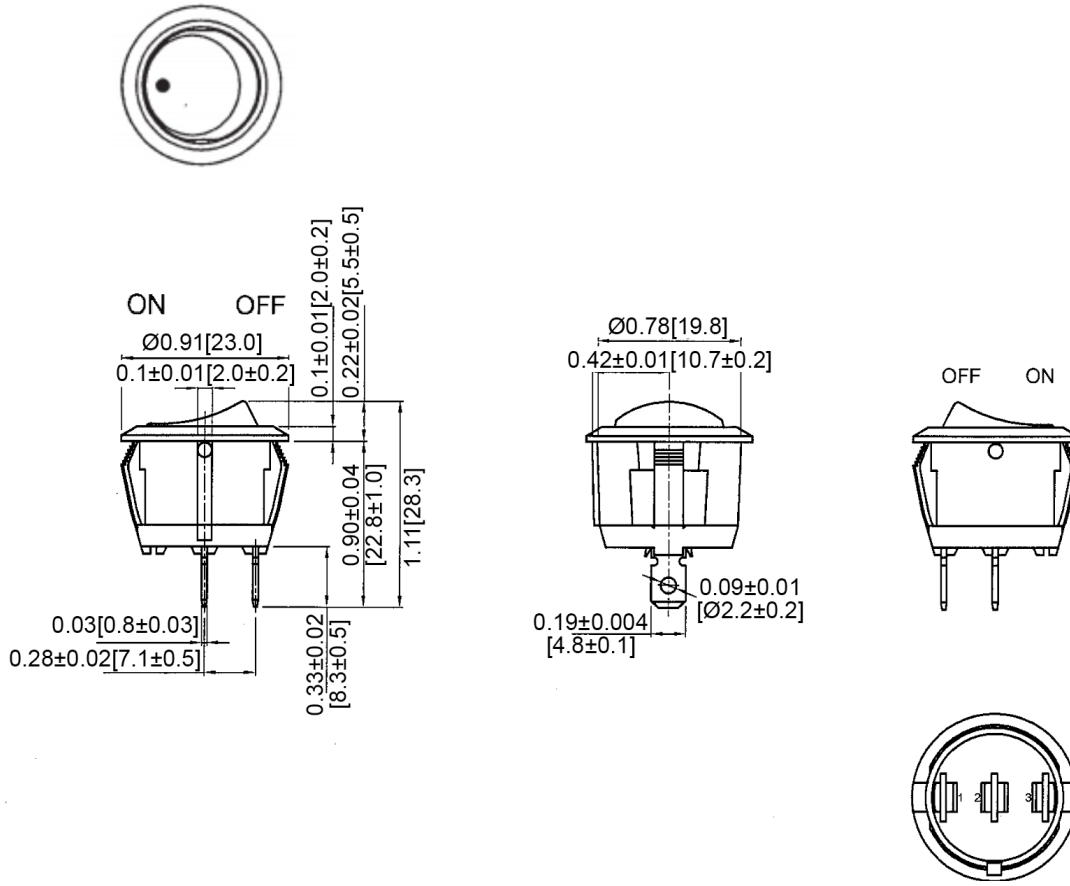
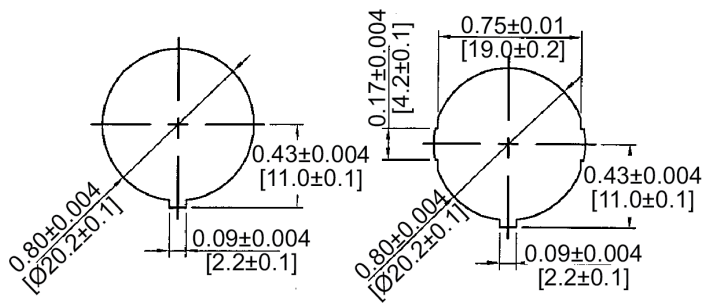


Mechanical Dimensions: Inches [mm]

Tolerances  $\pm 0.012$  [0.3] Unless Otherwise Specified



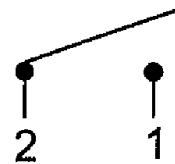
Mounting Hole



Thickness:  $0.1 \sim 0.12 [2.0 \sim 3.0]$  |  $0.03 \sim 0.12 [0.7 \sim 3.0]$

Circuit Diagram

2P SPST OFF-ON



Electrical Specifications

**Rating** 10(4)A 125/250V AC, 10A 125V AC 6A 250V AC 10(4)A 250V AC 16A 125V AC, 10A 250V AC

**Contact Resistance** 50m ohm Max

**Insulation Resistance** DC 500V 100M ohm Min

**Dielectric Strength** AC 1500V 1 minute

**Operation Temperature**  $-25^{\circ}\text{C} \sim 85^{\circ}\text{C}$

Material Specifications

**Frame** Black, Nylon 66 (94-V2)

**Actuator** Black, Nylon 66 (94-V2)

**Terminals** Silver Plated, Copper Alloy

**Hot Stamping** White Point

Rev	Date of issue	Revision Notes	Designed	Approved
B	06-08-2021	Initial Drawing	RC	OF