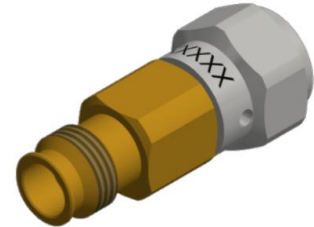
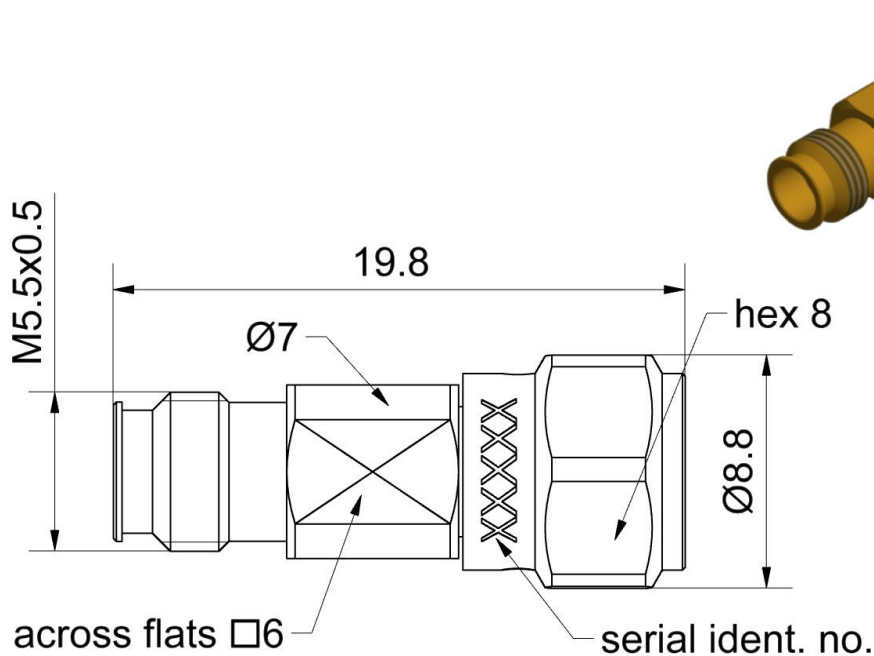


RPC-1.35 Calibration Adaptor
Plug - Jack

P9S121-K20D3



All dimensions are in mm; tolerances according to ISO 2768 m-H

Interface

According to IEC 61169-65

Documents

Application note AN001 "Calibration Services"

Material and plating

Connector parts

Center conductor
Outer conductor
Coupling nut
Dielectric

Material

CuBe
CuBe or equiv.
Stainless steel
PEEK

Plating

Gold, min. 1.27µm
Gold, min. 1.27µm
Passivated

Electrical data

Frequency range DC to 90 GHz

This calibration standard is designed to be part of a Rosenberger RPC-1.35 calibration kit, e.g. P9CK010-150 or P9CK001-150. Please consult the data sheet of one of the mentioned calibration kits for the specified Residual System Data in that application.

Return loss ≥ 31 dB, DC to 10 GHz
 ≥ 24 dB, 10 GHz to 30 GHz
 ≥ 20 dB, 30 GHz to 50 GHz
 ≥ 18 dB, 50 GHz to 60 GHz
 ≥ 15 dB, 60 GHz to 90 GHz

Mechanical data

Mating cycles ≥ 3000
 Maximum torque 1.65 Nm
 Recommended torque 0.90 Nm
 Gauge 0.003 mm to 0.020 mm

General standard definitions

For proper operation the vector network analyzer (VNA) needs a model describing the electrical behaviour of this calibration standard. The different models, units, and terms used will depend on the VNA type and they will have to be entered into the VNA. All values are based on typical geometry and plating.

Offset Z_o / Impedance / Z_o 50 Ω
 Offset Delay 53.97 ps
 Length (electrical) / Offset Length 16.18 mm
 Offset Loss 5.95 G Ω /s
 Loss 0.0558 dB/ $\sqrt{\text{GHz}}$

Environmental data

Operating temperature range¹ +20 °C to +26 °C
 Rated temperature range of use² 0 °C to +50 °C
 Storage temperature range - 40 °C to +85 °C

RoHS compliant

¹ Temperature range over which these specification are valid.

² This range is underneath and above the operating temperature range, within the calibration adaptor is fully functional and could be used without damage.

RPC-1.35 Calibration Adaptor
Plug - Jack

P9S121-K20D3

Declaration of calibration options

Factory Calibration

Standard delivery for this calibration standard includes a Factory Calibration. In a Calibration Certificate individual calibration results, traceable to national / international standards are reported. Model based standard definitions are reported in an Agilent/Keysight, Rohde & Schwarz and Anritsu compatible VNA format.

Accredited Calibration

Not available.

For further, more detailed information see application note AN001 on the Rosenberger homepage.

Calibration interval

Recommendation 12 months

Packing

Standard 1 pce in box
Weight 4.5 g/pce

While the information has been carefully compiled to the best of our knowledge, nothing is intended as representation or warranty on our part and no statement herein shall be construed as recommendation to infringe existing patents. In the effort to improve our products, we reserve the right to make changes judged to be necessary.

For the installation of the electrotechnical equipment, particular electrotechnical expertise is required.



Draft	Date	Approved	Date	Rev.	Engineering change number	Name	Date
Marcel Panicke	16.11.18	Lars Ramtke	20.05.22	c00	22-0943	David d'Argent	24.05.22

Rosenberger Hochfrequenztechnik GmbH & Co. KG
P.O.Box 1260 D-84526 Tittmoning Germany
www.rosenberger.de

Tel. : +49 8684 18-0
Email : info@rosenberger.de

Page
3 / 3