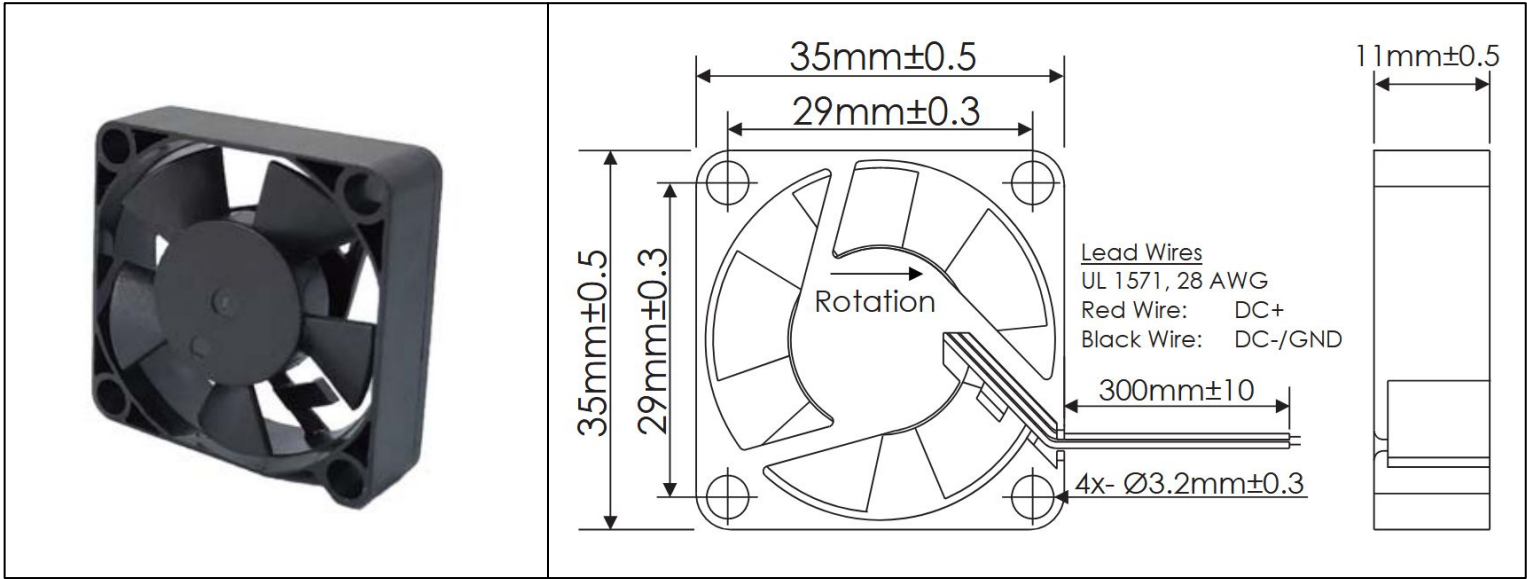


# OD3510-12HB



DC Fans - 12V  
35mm x 11mm (1.38" x 0.43")



Frame	PBT, UL94 V-0 Plastic	<p><b>Operating Temperature</b> -20°C ~ +65°C</p> <p><b>Storage Temperature</b> -20°C ~ +75°C</p> <p><b>Life Expectancy</b> 70,000 Hours (L10 at 40°C)</p> <p><b>Available Options</b>                      PWM Speed Control Input                      0-10V Speed Control Input                      Tachometer Output                      Alarm Output                      IP Ratings                      Other Speeds</p> <p>Weight: 0.03 lbs</p>	
Impeller	PBT, UL94 V-0 Plastic		
Connection	2x Wire Leads, 28 AWG		
Motor	Brushless DC, Auto Cutoff, Auto Restart, Electronically Protected, Polarity Protected		
Bearing System	Ball Bearings		
Dielectric Strength	500VDC/min, <1mA		
Insulation Resistance	≥10M Ohm @ 500 VDC		

Part Number	Rated Voltage (Volts DC)	Voltage Range (Volts DC)	Input Power (Watts)	Rated Current (Amps)	Rated Speed (RPM)	Max Airflow (CFM)	Noise Level (dBA)	Max Static Pressure ("H <sub>2</sub> O)
OD3510-12HB	12	11 ~ 13.8	1.44	0.12	8950	6.2	28.4	0.22