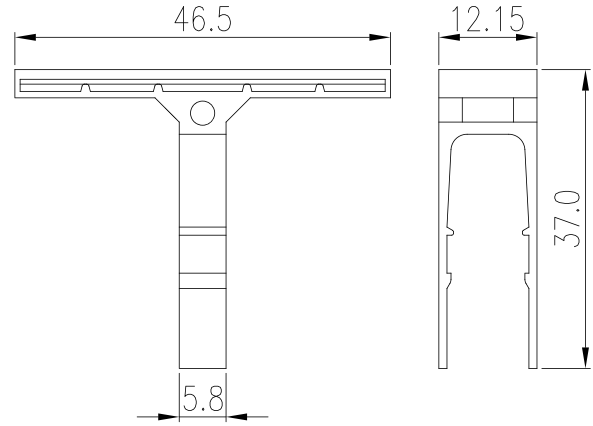


MKH-002



DIN Rail Terminal Blocks > Accessories > Marking label



Specification

Product description	Marking label
Material	PC
Inflammability class	UL94-V2
Compatible products	SS6N
Continuous flat marking label	TM-200
Package	50 pcs / box