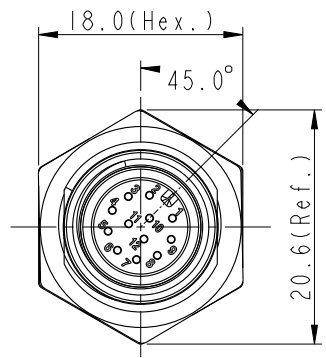
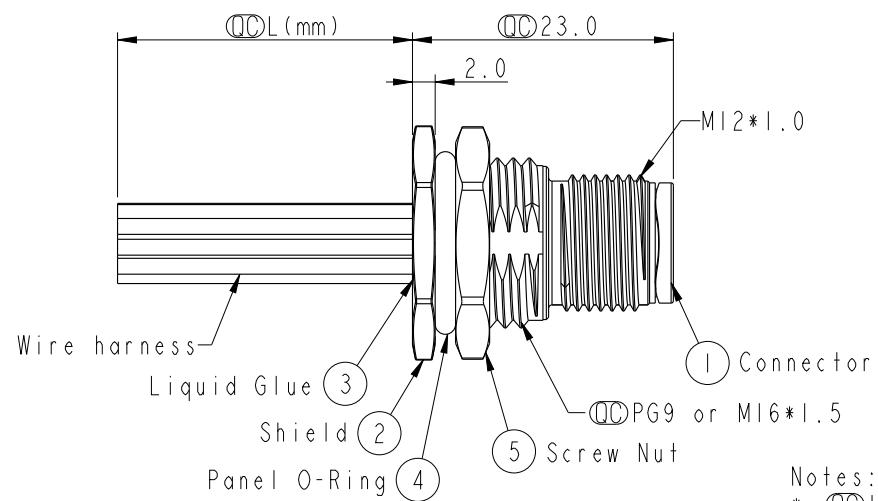
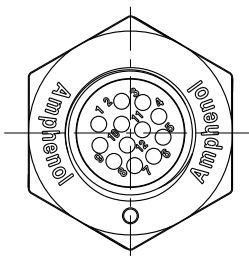
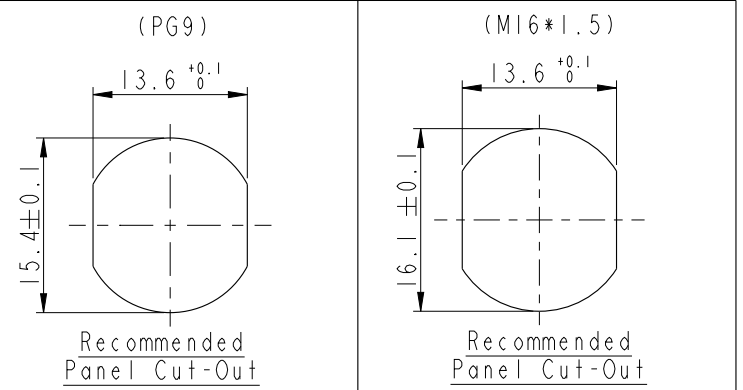


THIS DOCUMENT IS SUBJECT TO CHANGE WITHOUT NOTICE. IT IS CONFIDENTIAL AND A PROPERTY OF Amphenol LTW. DISCLOSURE TO THIRD PARTY HAS TO BE AUTHORIZED BY Amphenol LTW.

REV.	ECN NO.	DATE	SIGN	DESCRIPTION
C	LEN1680569-580 LEN1680598-603	2016/08/08	Yulong_wang	Add 6Pin & IP69K.
D	E191630	2019/09/19	Ruru	Update Wire Tolarance
E	BOMR19100207	2019/10/30	Peng	Add 17Pin



- Notes:
- * \varnothing Important Dimension.
 - $\triangle C$ * Waterproof Rate: IP68, IP69K.
 - * Connector: Nylon+GF, Black.
 - $\triangle E$ * Male Pin: Copper Alloy, Gold Plated.
 - * Shield: Zinc Alloy, Nickel Plated.
 - * Screw Nut: Zinc Alloy, Nickel Plated.
 - * Panel O-Ring: Viton, Black.
 - * Wire harness: UL1061
 - * Rated Voltage: 3 & 4Pin 250V dc. or ac.
5Pin 60V dc. or ac.
6~12Pin, 17Pin, 30V dc. or ac.
 - * Rated Current: 3~5Pin 4A
6~8Pin 2A
10~12Pin, 17Pin, 1.5A
 - * Operating Temperature: -25~85°C
 - * For Panel Thickness Max 4.5mm.
 - * Nut Torque: 4-6 Kgf.cm.
 - $\triangle D$ * Wire harness Tolerance: 150~300±15mm
301~1000±20mm
Over 1000 ±50/-0mm



UNIT: mm

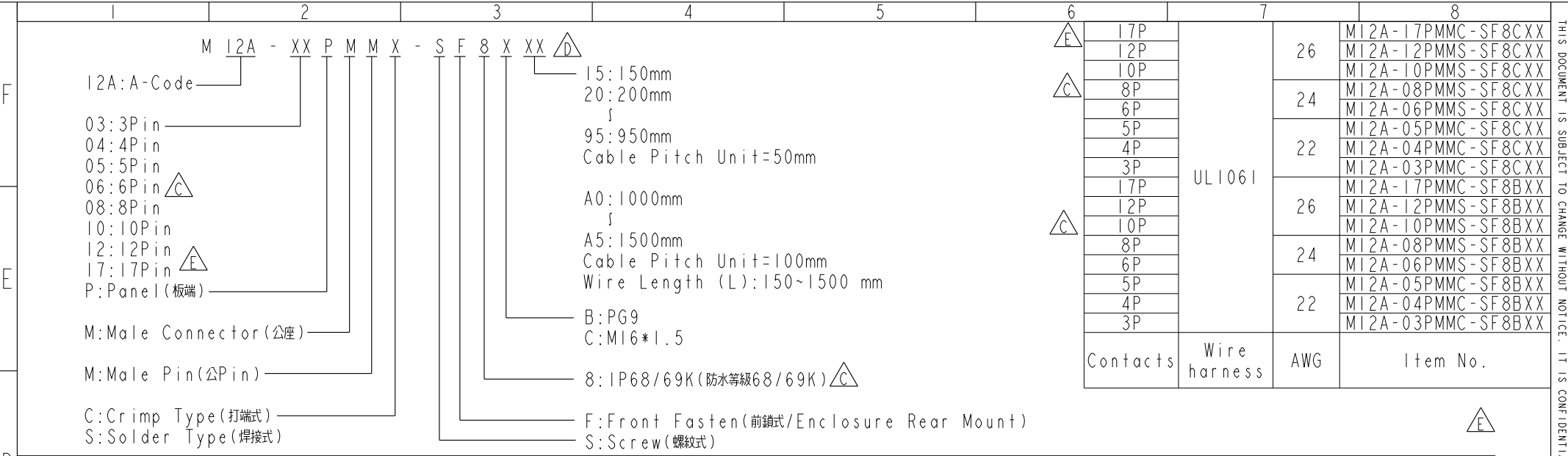
TOLERANCE	
.X	±0.25
.XX	±0.1
.XXX	±0.05
ANGLES	±1°

TITLE M12 A-Code Male Conn. Panel Front With Wire harness			
SCALE 3:2	SIZE A4	SHEET 1 OF 2	
REV. E	WC-REV. A.3	\varnothing : Inspection item	

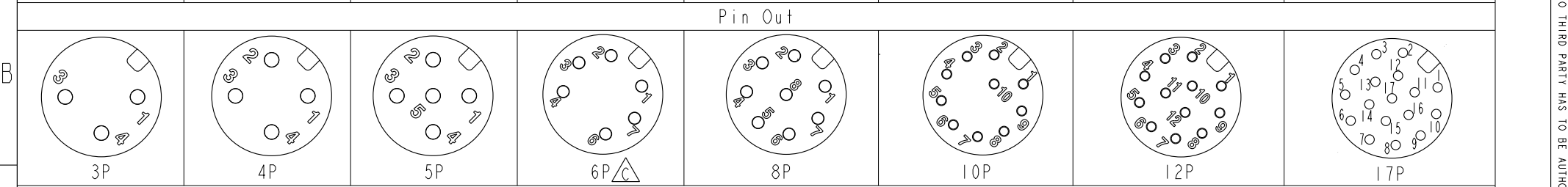
Amphenol LTW
安費諾亮泰企業股份有限公司

ITEM NO.	DRAWN BY Ruru	DATE 2019-09-19
DWG NO. M12A-XXPMMX-SF8XXX	CHECKED BY Rita	DATE 2019-09-19
CUSTOMER ALTW	APPROVED BY Max	DATE 2019-09-19

THIS DOCUMENT IS SUBJECT TO CHANGE WITHOUT NOTICE. IT IS CONFIDENTIAL AND A PROPERTY OF Amphenol LTW. DISCLOSURE TO THIRD PARTY HAS TO BE AUTHORIZED BY Amphenol LTW.



Pin #	Wire	Pin #	Wire	Pin #	Wire	Pin #	Wire	Pin #	Wire	Pin #	Wire	Pin #	Wire	Pin #	Wire	Pin #	Wire				
5	--	5	--	5	Gray	灰	5	--	5	Gray	灰	5	--	5	Gray	灰	5	White/Gray	白/灰		
4	Black	4	Black	4	Black	黑	4	Blue	4	Blue	藍	4	Yellow	4	Yellow	4	Yellow	4	Yellow/Brown	黃/棕	
3	Blue	3	Blue	3	Blue	藍	3	Pink	3	Pink	粉	3	Green	3	Green	3	Green	3	White/Yellow	白/黃	
2	--	2	White	2	White	白	2	-	2	Yellow	黃	2	Brown	2	Brown	2	Brown	2	Brown/Green	棕/綠	
1	Brown	1	Brown	1	Brown	棕	1	White	1	White	白	1	White	1	White	1	White	1	White/Green	白/綠	
																			12	Red/Blue	紅/藍
																			11	Gray/Pink	灰/粉
																			10	Violet	紫
																			9	Black	黑
																			8	Red	紅
																			8	Red	紅
																			7	Blue	藍
																			6	Pink	粉
																			6	Pink	粉
																			5	Gray	灰
																			5	Gray	灰
																			4	Yellow	黃
																			4	Yellow	黃
																			3	Green	綠
																			3	Green	綠
																			2	Brown	棕
																			2	Brown	棕
																			1	White	白
																			1	White	白



Pin Assignments Front View

UNIT: mm TOLERANCE .X ±0.25 .XX ±0.1 .XXX ±0.05 ANGLES ±1°	TITLE MI2 A-Code Male Conn. Panel Front With Wire harness		<h1 style="text-align: center;">Amphenol LTW</h1> <h2 style="text-align: center;">安費諾亮泰企業股份有限公司</h2>		ITEM NO MI2A-XXPMXX-SF8XXX	DRAWN BY Ruru	DATE 2019-09-19
	SCALE 3:2	SIZE A4			SHEET 2 OF 2	DWG NO MI2A-XXPMXX-SF8XXX	CHECKED BY Rita
	REV. E	WC-REV. A.3	QC : Inspection item	CUSTOMER ALTW	APPROVED BY Max	DATE 2019-09-19	