

HSMx-A16x-xxxxx

PLCC-2 Surface Mount LED Indicator Black Surface Tinted



Data Sheet



Description

This family of SMT LEDs is packaged in the industry standard PLCC-2 package. These SMT LEDs have high reliability performance and are designed to work under a wide range of environmental conditions. This high reliability feature makes them ideally suited to be used under harsh interior signs application conditions. This SMT LED package come with a black surface and tinted which is specially designed for signs application to minimize ambient reflection to improve contrast.

To facilitate easy pick & place assembly, the LEDs are packed in EIA-compliant tape and reel. Every reel will be shipped in single intensity and color bin, except red color, to provide close uniformity.

These LEDs are compatible with IR solder reflow process. Due to the high reliability feature of these products, they can also be mounted using through-the-wave soldering process.

The super wide viewing angle at 120° makes these LEDs ideally suited for panel, push button, or general back-lighting in automotive interior, office equipment, industrial equipment, and home appliances. The flat top emitting surface makes it easy for these LEDs to mate with light pipes. With the built-in reflector pushing up the intensity of the light output, these LEDs are also suitable to be used as LED pixels in interior electronic signs.

Features

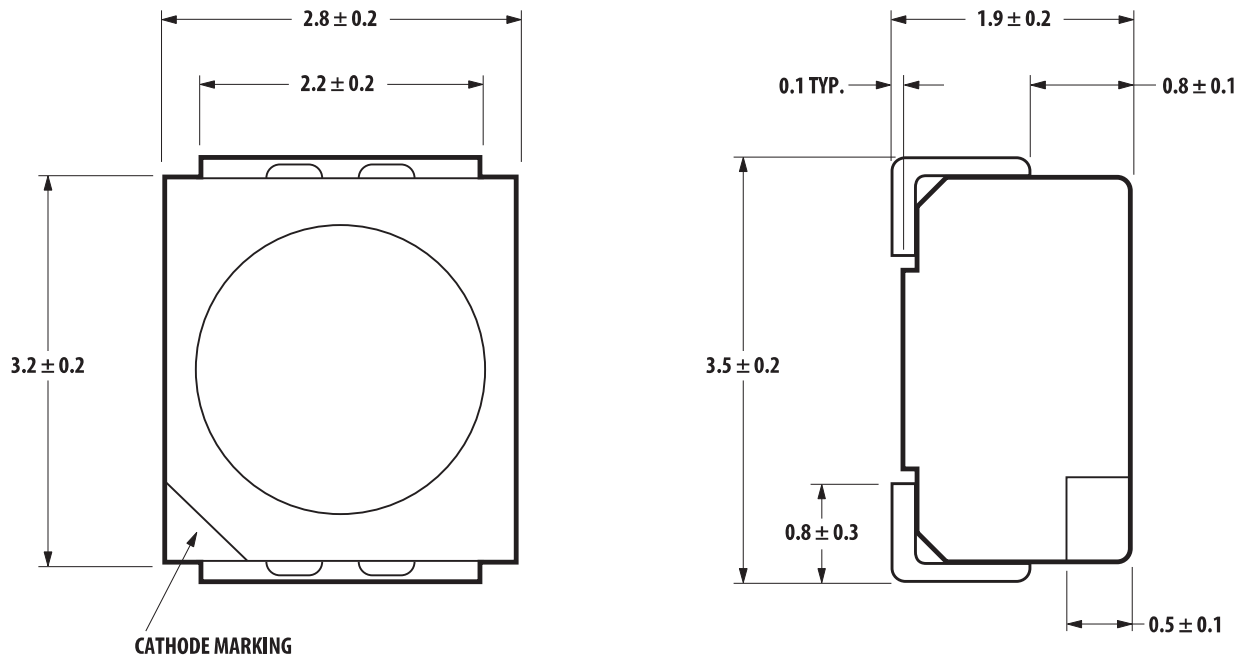
- Industry standard PLCC-2 package
- High reliability LED package
- High brightness using AlInGaP and InGaN dice technologies
- Available in full selection of colors
- Super wide viewing angle at 120°
- Available in 8 mm carrier tape on 7 inch reel (2000 pieces)
- Compatible with both IR and TTW soldering process
- Black Surface Tinted
- JEDEC MSL 2a

Applications

- Electronic signs and signals
- Interior full color sign
- Variable message sign

CAUTION: HSM and HSMN-A1xx-xxxxx LEDs are Class 2 ESD sensitive. Please observe appropriate precautions during handling and processing. Refer to Avago Technologies Application Note AN-1142 for additional details.

Package Dimensions



Notes: All dimensions in mm

Device Selection Guide

Color	Part Number	Min I_v @ 20mA (mcd)	Typical I_v @ 20mA (mcd)
Red	HSMC-A160-Q00J1	63.0	100.0
	HSMC-A161-S00J1	160.0	220.0
Yellow /Amber	HSMA-A160-Q00J1	63.0	100.0
	HSMA-A161-S00J1	160.0	220.0
Green	HSMN-A160-S00J1	160.0	350.0
Blue	HSMN-A161-N00J1	25.0	50.0
	HSMN-A160-P00J1	40.0	70.0

Notes:

- The luminous intensity I_v is measured at the mechanical axis of the lamp package.
The actual peak of the spatial radiation pattern may not be aligned with this axis.
- I_v Tolerance = $\pm 12\%$

Absolute Maximum Ratings ($T_A = 25^\circ\text{C}$)

Parameters	HSMC/A	HSMV/Z	HSMM/N
DC Forward Current ^[1]	30 mA ^[3,4]	30 mA ^[3,4]	30 mA
Peak Forward Current ^[2]	100mA	100mA	100mA
Power Dissipation	63mW	72mW	114mW
Reverse Voltage	5	5	5
Junction Temperature	110°C	110°C	110°C
Operating Temperature	-55°C to +100°C	-55°C to +100°C	-55°C to +100°C
Storage Temperature	-55°C to +100°C	-55°C to +100°C	-55°C to +100°C

Notes:

1. Derate linearly as shown in figure 5.
2. Duty factor = 10%, Frequency = 1kHz.
3. Drive Current between 10mA and 30mA are recommended for best long term performance
4. Operation at current below 5mA is not recommended.

Optical Characteristic ($T_A = 25^\circ\text{C}$)

Color	Part Number	Dice Technology	Peak Wavelength λ_{PEAK} (nm) Typ.	Dominant Wave-length λ_{D} (nm) ^[1] Typ.	Viewing Angle $2\theta_{1/2}$ ^[2] (Degrees) Typ.	Luminous Efficacy η_{v} ^[3] (lm/W) Typ	Luminous Intensity/ Total Flux I_{v} (mcd)/ F_{v} (mlm) Typ.
Amber	HSMA-A161	AllnGaP	592	590	120	480	0.45
Amber	HSMU-A160	AllnGaP	594	592	120	500	0.45
Red	HSMC-A161	AllnGaP	635	626	120	150	0.45
Red	HSMZ-A160	AllnGaP	639	630	120	155	0.45
Green	HSMM-A16x	InGaN	523	525	120	500	0.45
Blue	HSMN-A16x	InGaN	468	470	120	75	0.45

Notes:

1. The dominant wavelength, λ_{D} , is derived from the CIE Chromaticity Diagram and represents the color of the device.
2. $\theta_{1/2}$ is the off-axis angle where the luminous intensity is 1/2 the peak intensity.
3. Radiant intensity, I_{e} in watts/steradian, may be calculated from the equation $I_{\text{e}} = I_{\text{v}}/\eta_{\text{v}}$, where I_{v} is the luminous intensity in candelas and η_{v} is the luminous efficacy in lumens/watt.

Electrical Characteristic ($T_A = 25^\circ\text{C}$)

Dice Technology	Forward Voltage V_{F} (Volts) @ $I_{\text{F}} = 20\text{mA}$		Reverse Voltage V_{R} @ $100\mu\text{A}$	Reverse Voltage V_{R} @ $10\mu\text{A}$	Thermal Resistance $R\theta_{\text{JP}}$ ($^\circ\text{C}/\text{W}$)
	Typ	Max	Min	Min	Typ
HSMC/A	1.9	2.4	5	-	280
HSMV/Z	2.2	2.6	5	-	280
HSMM/N	3.4	4.05	-	5	280

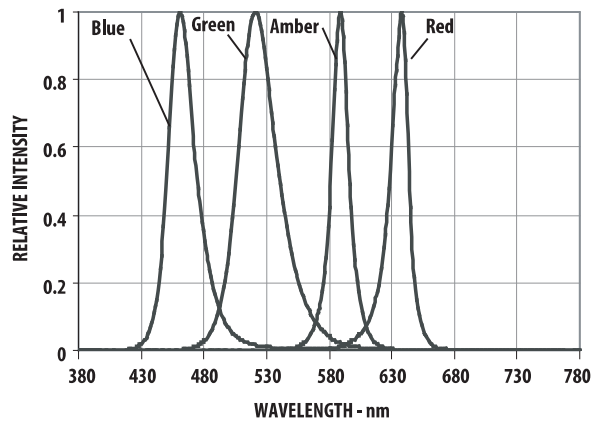


Figure 1. Relative Intensity vs. Wavelength

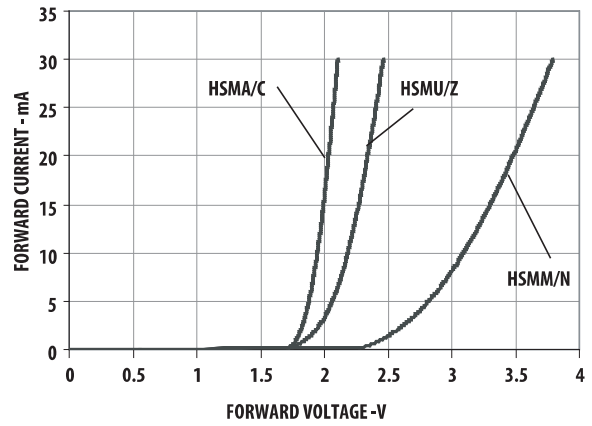


Figure 2. Forward Current vs. Forward Voltage

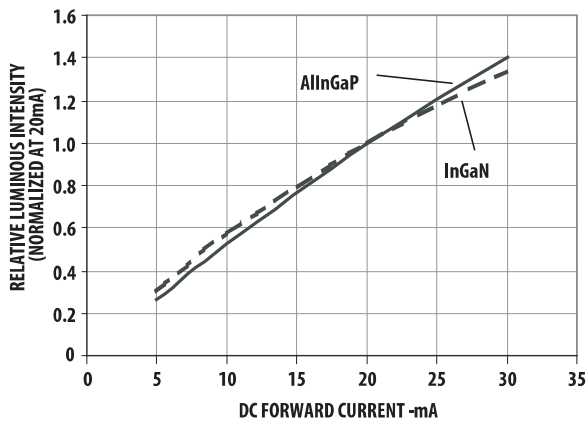


Figure 3. Relative Intensity vs. Forward Current

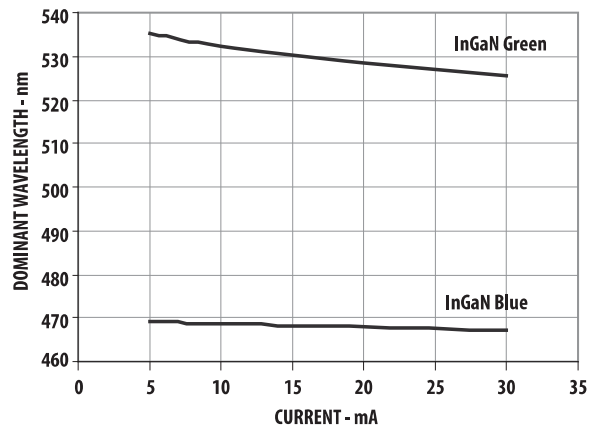


Figure 4. Dominant Wavelength vs. Forward Current InGaN

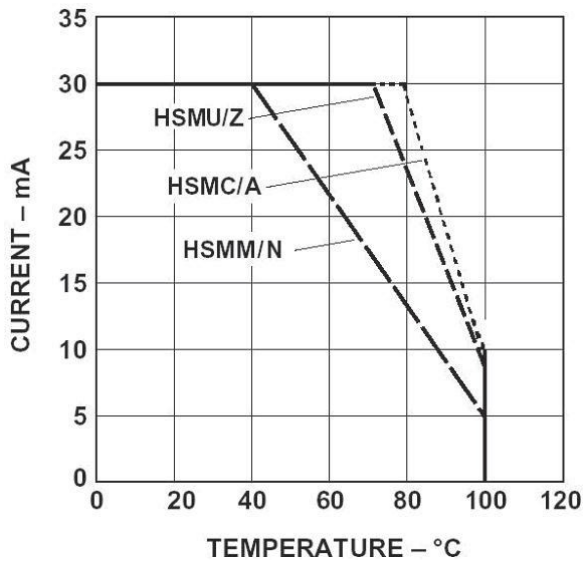


Figure 5. Maximum Forward Current Vs. Ambient Temperature. Derated Based on $T_{J\text{ MAX}} = 110^\circ\text{C}$, $R\theta_{JA} = 500^\circ\text{C/W}$

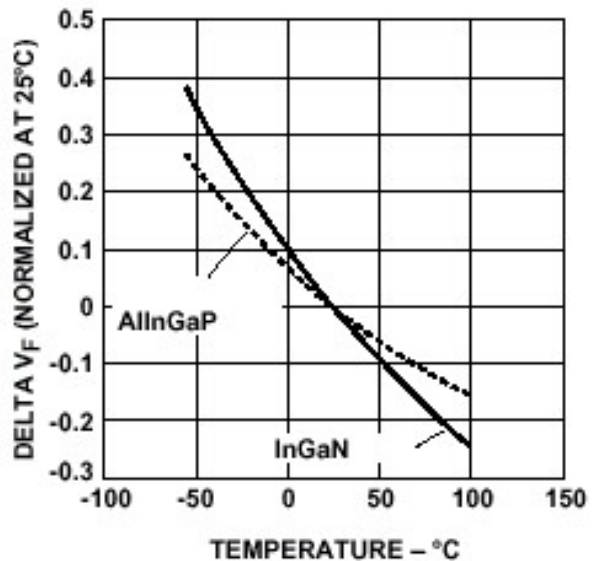


Figure 6. Forward Voltage Shift vs. Temperature

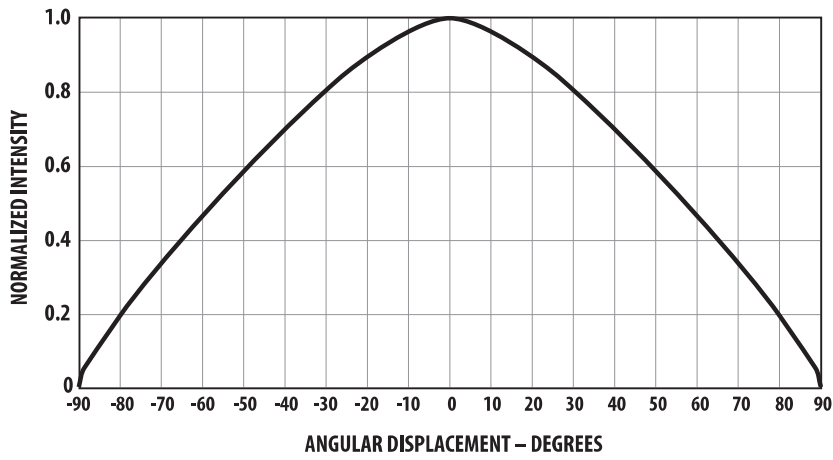


Figure 7. Radiation Pattern

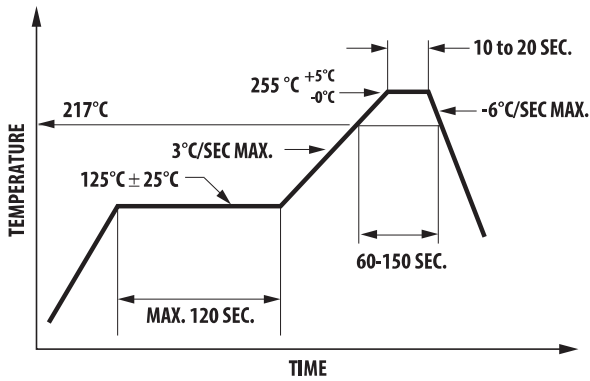


Figure 8. Recommended Pb-Free Reflow Soldering Profile

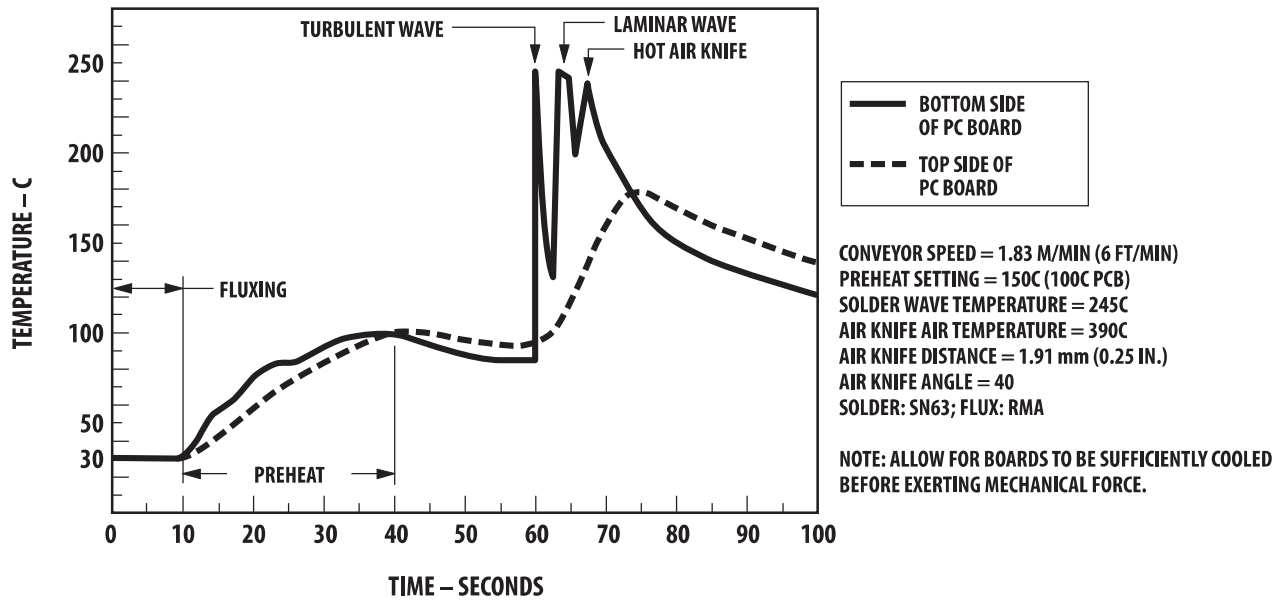


Figure 9. Recommended Wave Soldering Profile

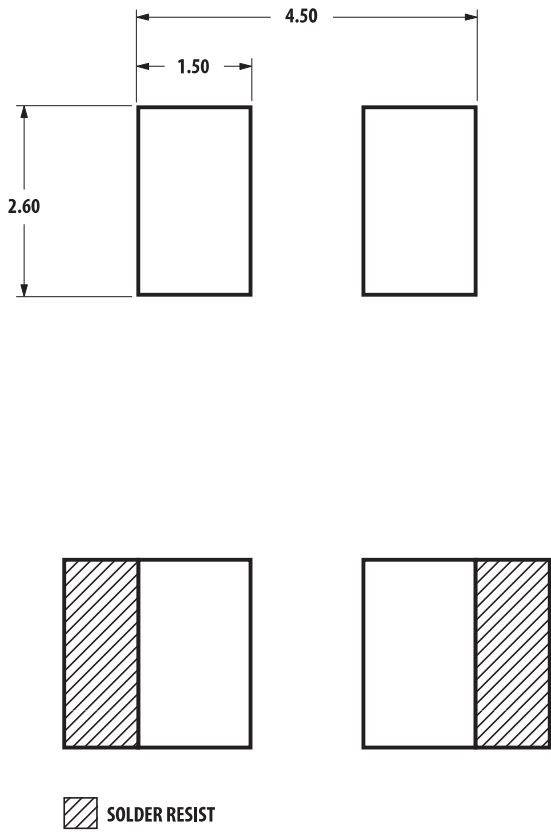


Figure 10. Recommended soldering pad pattern

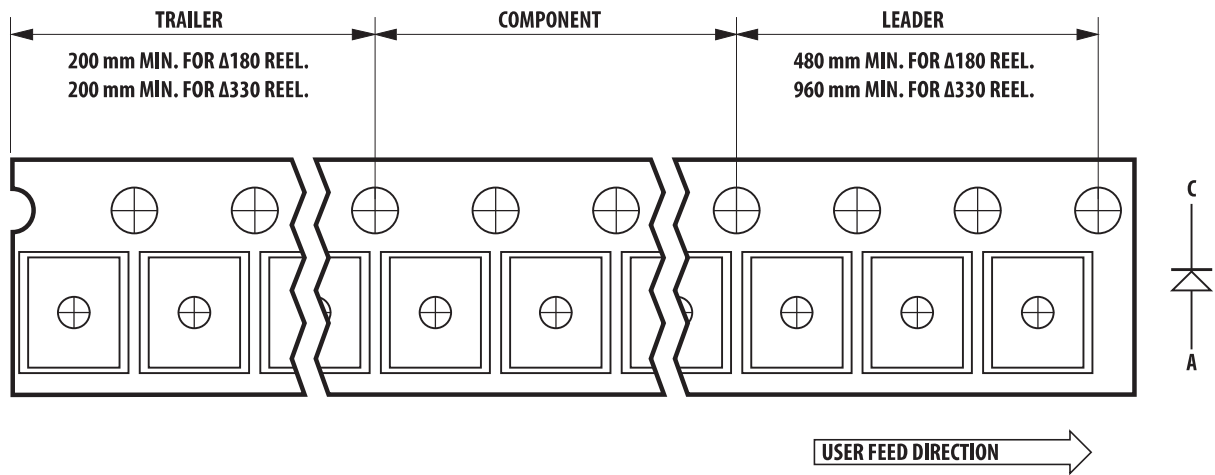


Figure 11. Tape leader and Trailer dimension

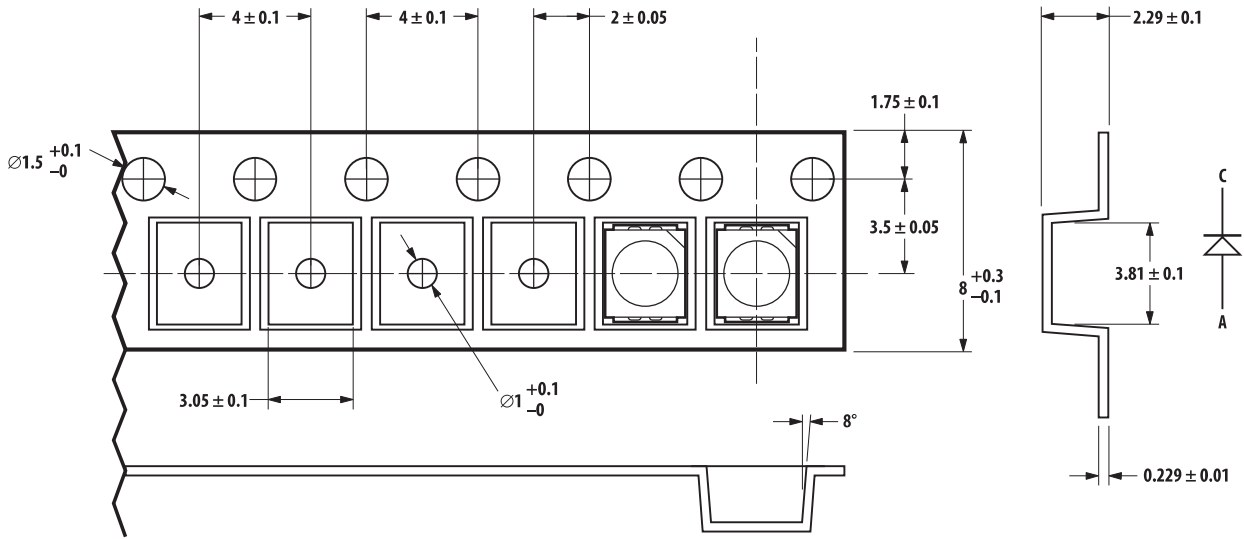


Figure 12. Tape dimensions

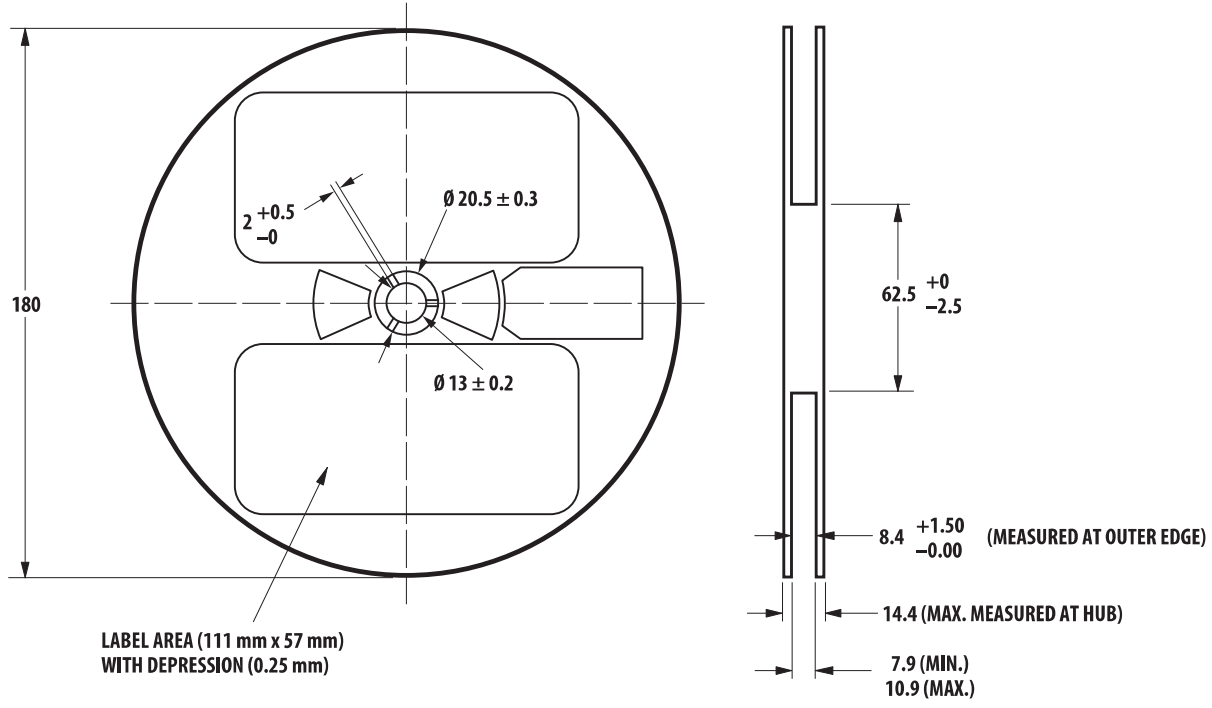


Figure 13. Reel dimensions

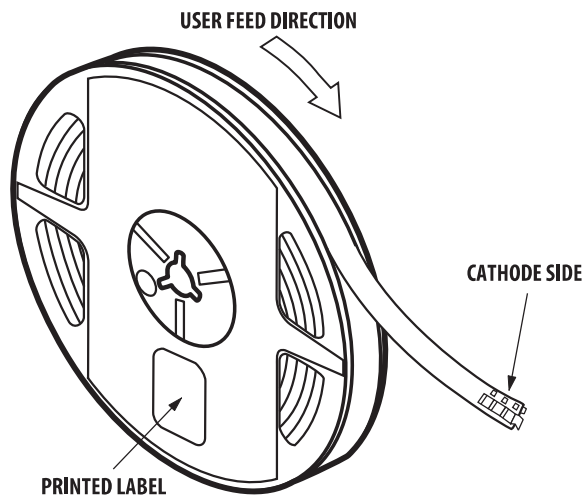


Figure 14. Reeling Orientation

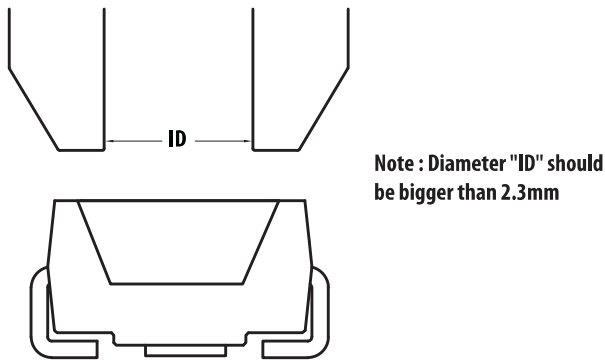


Figure 15. Recommended Pick and Place Nozzle Size

Moisture Sensitivity

This product is qualified as Moisture Sensitive Level 2a per Jedec J-STD-020. Precautions when handling this moisture sensitive product is important to ensure the reliability of the product. Do refer to Avago Application Note AN5305 Handling of Moisture Sensitive Surface Mount Devices for details.

A. Storage before use

- Unopen moisture barrier bag (MBB) can be stored at $<40^{\circ}\text{C}/90\%\text{RH}$ for 12 months. If the actual shelf life has exceeded 12 months and the HIC indicates that baking is not required, then it is safe to reflow the LEDs per the original MSL rating.
- It is not recommended to open the MBB prior to assembly (e.g. for IQC).

B. Control after opening the MBB

- The humidity indicator card (HIC) shall be read immediately upon opening of MBB.
- The LEDs must be kept at $<30^{\circ}\text{C} / 60\%\text{RH}$ at all time and all high temperature related process including soldering, curing or rework need to be completed within 672 hours.

C. Control for unfinished reel

- For any unused LEDs, they need to be stored in sealed MBB with desiccant or desiccator at $<5\%\text{RH}$.

D. Control of assembled boards

- If the PCB soldered with the LEDs is to be subjected to other high temperature processes, the PCB need to be stored in sealed MBB with desiccant or desiccator at $<5\%\text{RH}$ to ensure no LEDs have exceeded their floor life of 672 hours.

E. Baking is required if:

- "10%" is Not blue and "5%" HIC indicator turns pink.
- The LEDs are exposed to condition of $>30^{\circ}\text{C} / 60\%\text{RH}$ at any time.
- The LEDs floor life exceeded 672 hours.

Recommended baking condition: $60\pm 5^{\circ}\text{C}$ for 20 hours.

Intensity Bin Select (X5X6)

Individual reel will contain parts from 1 half bin only

X ₅	Min Iv Bin
X ₆	
0	Full Distribution
3	3 half bins starting from X ₅ 1
4	4 half bins starting from X ₅ 1
5	5 half bins starting from X ₅ 1
7	3 half bins starting from X ₅ 2
8	4 half bins starting from X ₅ 2
9	5 half bins starting from X ₅ 2

Intensity Bin Limits

Bin ID	Min (mcd)	Max (mcd)
J1	4.50	5.60
J2	5.60	7.20
K1	7.20	9.00
K2	9.00	11.20
L1	11.20	14.00
L2	14.00	18.00
M1	18.00	22.40
M2	22.40	28.50
N1	28.50	35.50
N2	35.50	45.00
P1	45.00	56.00
P2	56.00	71.50
Q1	71.50	90.00
Q2	90.00	112.50
R1	112.50	140.00
R2	140.00	180.00
S1	180.00	224.00
S2	224.00	285.00
T1	285.00	355.00
T2	355.00	450.00
U1	450.00	560.00
U2	560.00	715.00

Tolerance of each bin limit = ± 12%

Packaging Option (X₈X₉)

X ₈ X ₉	
J1	20mA test current, Top Mount, 7 inch Reel
J2	10mA test current, Top Mount, 7 inch Reel

Color Bin Select (X7)

Individual reel will contain parts from 1 full bin only

X ₇	
0	Full Distribution
Z	A and B only
Y	B and C only
W	C and D only
V	D and E only
U	E and F only
T	F and G only
S	G and H only
Q	A, B and C only
P	B, C and D only
N	C, D and E only
M	D, E and F only
L	E, F and G only
K	F, G and H only
1	A, B, C and D only
2	E, F G and H only

Color Bin Limits

Blue	Min (nm)	Max (nm)
A	460.0	465.0
B	465.0	470.0
C	470.0	475.0
D	475.0	480.0
Green	Min (nm)	Max (nm)
A	515.0	520.0
B	520.0	525.0
C	525.0	530.0
D	530.0	535.0
Amber/Yellow	Min (nm)	Max (nm)
A	582.0	584.5
B	584.5	587.0
C	587.0	589.5
D	589.5	592.0
E	592.0	594.5
F	594.5	597.0
Red	Min (nm)	Max (nm)
Full Distribution		

Tolerance of each bin limit = ±1nm

For product information and a complete list of distributors, please go to our web site: www.avagotech.com

Avago, Avago Technologies, and the A logo are trademarks of Avago Technologies in the United States and other countries.

Data subject to change. Copyright © 2005-2012 Avago Technologies. All rights reserved. Obsoletes AV01-0652EN

AV02-0764EN - May 24, 2012