

CGA5L2NP01H104J160AA

TDK Item Description : CGA5L2NP01H104JT***



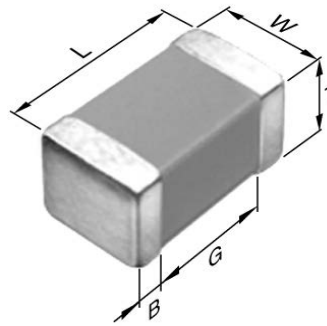
Equivalent C3216NP01H104J for Automotive

Application & Main Feature

Automotive Grade (High Temperature Application)

Series

CGA5(3216) [EIA 1206]



Dimensions

L	3.20mm ±0.20mm
W	1.60mm ±0.20mm
T	1.60mm ±0.20mm
B	0.20mm Min.
G	1.00mm Min.

Temperature Characteristic

NP0 (-55 to 150 degC 0+/-30ppm/degC)

Rated Voltage

1H(50Vdc)

Capacitance

100nF

Capacitance Tolerance

J (±5%)

Q Factor

1000 Min.

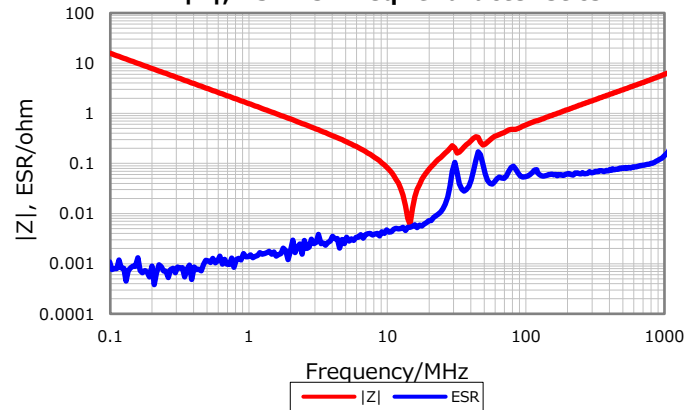
Insulation Resistance

5Gohm Min

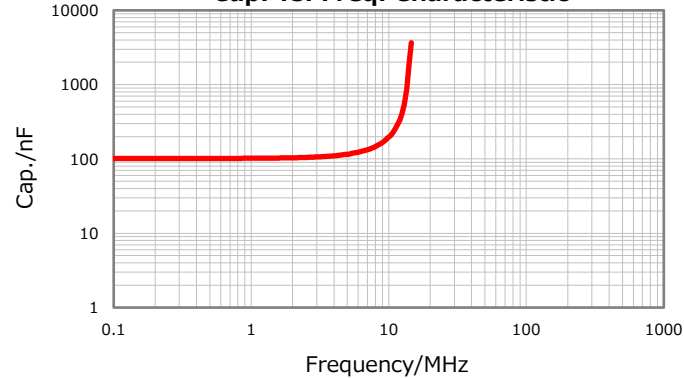
AEC-Q200

Yes

|Z|, ESR vs. Freq. Characteristics



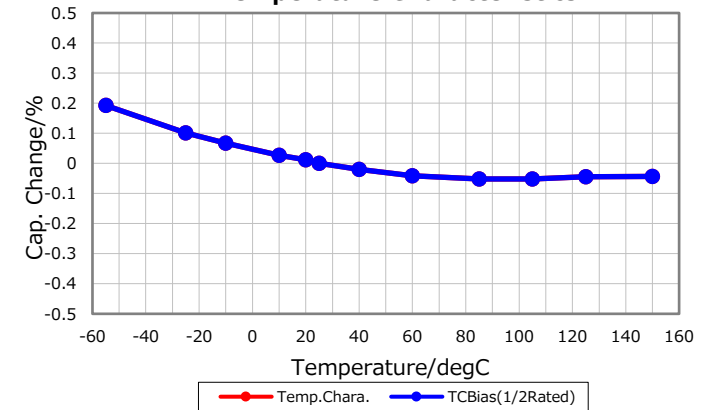
Cap. vs. Freq. Characteristic



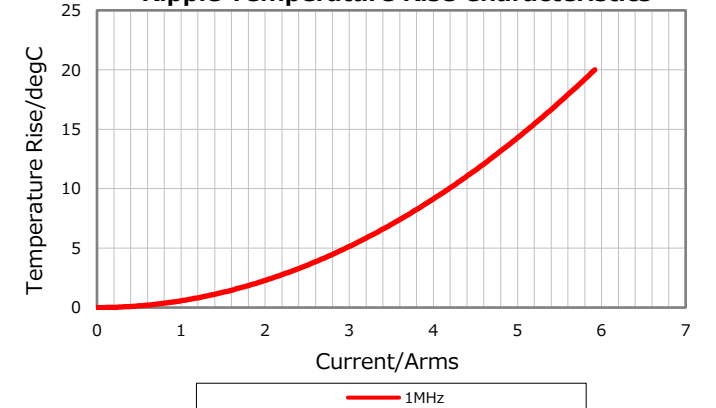
DC Bias Characteristic



Temperature Characteristics



Ripple Temperature Rise Characteristics



Characterization Sheet (Multilayer Ceramic Chip Capacitors)



All specifications are subject to change without notice.