

Figure 1. Physical Photos of AHVR15V3KV3R3MAP

### FEATURES

- Output Voltage Proportional to Input Voltage
- Output Voltage from 0V~3000V
- Input Voltage from 0.7V~15V
- Low Power Consumption
- High Efficiency
- High Stability
- Low Turn-on Voltage 0.7VDC
- Input to Output Isolation
- Small Output Ripple, Time Drift, and Temperature Drift
- Overload and Short Circuit Protection
- Metal Enclosure for Zero EMIS
- Easy Control and Installation

### APPLICATIONS

This high stability high voltage power supply can be used for capacitor charging, photomultiplier tube, optical measurement, mass spectrometry, electrophoresis, medical equipment, isolation testing, etc.

### DESCRIPTION

AHVR15V3KV3R3MAP comes with a quasi-sine wave oscillator, a fully enclosed transformer, an input and output filter, and a five-sided metal enclosure. These modules present low EMI/RFI, low noise, and low ripple. The input and output are galvanically isolated. Proportional to the input voltage, the output voltage has a typical turn-on voltage as low as 0.7V. It also comes with output short-circuit protection and a wide range of output voltage adjustments. This high voltage power supply also features ultra-small size, light weight, moisture proof, shockproof, metal enclosure, and zero EMIs.

### SAFETY PRECAUTIONS

The internal protection circuit is provided in the high voltage power supply, but the high voltage short circuit shall be avoided.

Make sure the circuit is insulated perfectly, especially between the high voltage output and the surroundings so as to avoid electronic shock.



**SPECIFICATIONS**

Table 1. Characteristics.  $T_A = 25^\circ\text{C}$ , unless otherwise noted

Parameter	Symbol	Condition	Min.	Typ.	Max.	Unit/Note
Input Voltage	$V_{IN}$		0.7		15	V
Quiescent Input Current	$I_{INQQ}$	$I_{OUT} = 0\text{mA}$	400	500	600	mA
Full Load Input Current	$I_{INFLD}$	$I_{OUT} = 3.3\text{mA}$	1.4	1.5	1.6	A
Output Voltage	$V_{OUT}$	$I_{OUT} = 0 \text{ to } 3.3\text{mA}$	0		3000	V
Maximum Output Current	$I_{OUTMAX}$	$V_{VPS} = 15\text{V}$			3.3	mA
Load				900		$\Omega$
Output Voltage Tolerance		At Max $V_{OUT}$ , Full Load		$\leq \pm 5$		$\%V_{P-P}$
Output voltage ripple	$V_{OUT\_RP}$			$< 1.0$		%
Response Time	$T_{RESPONSE}$	0 to Max $V_{OUT}$ , Full Load		260		msec
Isolation Voltage: Input to Output				3500		V
Switching Frequency	$F_{SW}$		25		125	kHz
Full Load Efficiency	$\eta$			$\geq 70$		%
Output Voltage Temperature Stability		$-20 \sim 50^\circ\text{C}$		$< \pm 1$		%
Operating Temperature Range	$T_{opr}$		-10		70	$^\circ\text{C}$
Storage Temperature Range	$T_{stg}$		-25		90	$^\circ\text{C}$
Humidity		Non-condensing		95		%RH
External Dimensions			71.1 * 43.2 * 21.6			mm
Weight				160		g
				0.36		lbs
				5.65		Oz



**TESTING DATA**

High voltage power supply testing data (Test condition: the load is 900Ω)

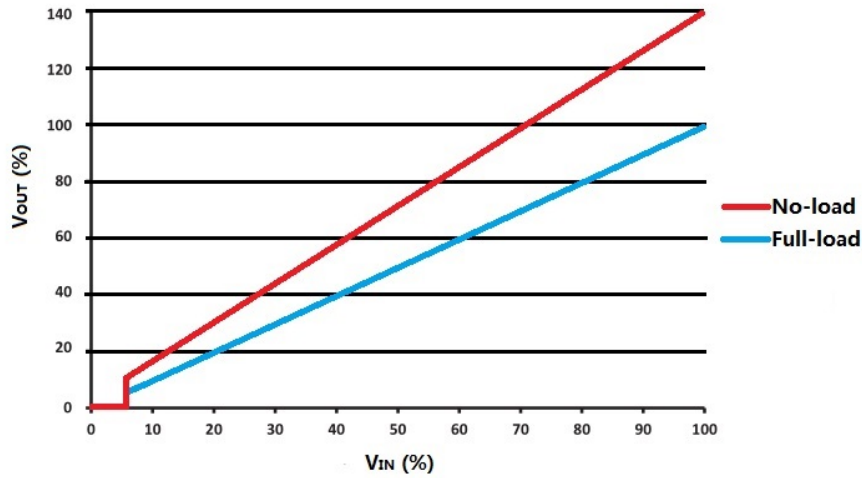


Figure 2. V<sub>IN</sub> vs. V<sub>OUT</sub>

**THE CONNECTION DIAGRAM OF MODULE'S PERIPHERAL CIRCUIT**

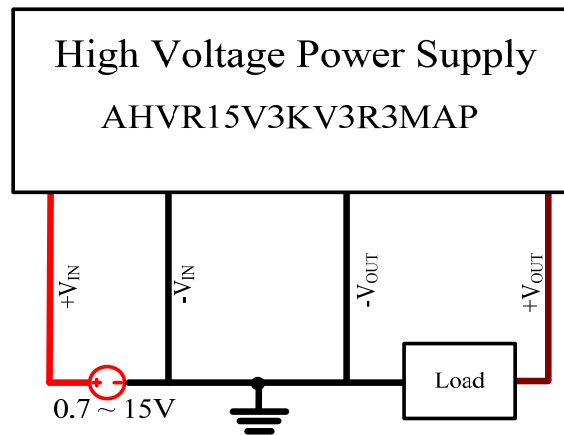


Figure 3. Constant Output Voltage

**Naming instructions**

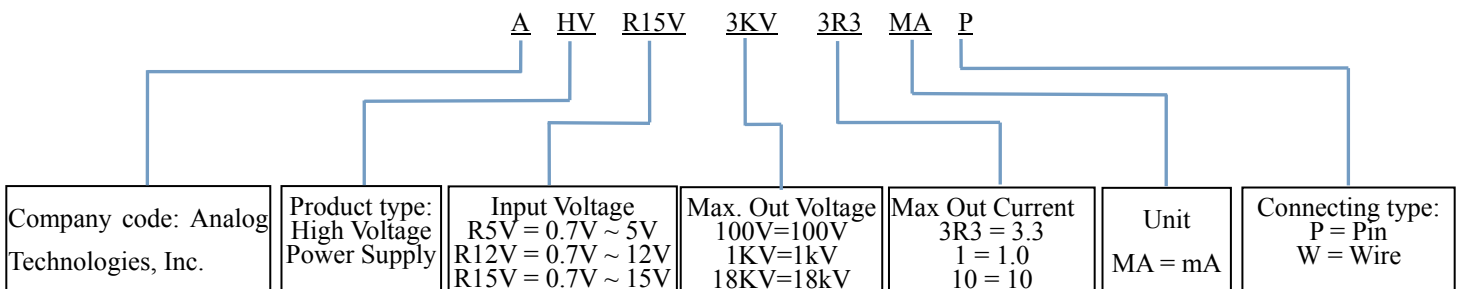


Figure 4. Naming Rules of AHVR15V3KV3R3MAP



DIMENSIONS

I. Pin layout

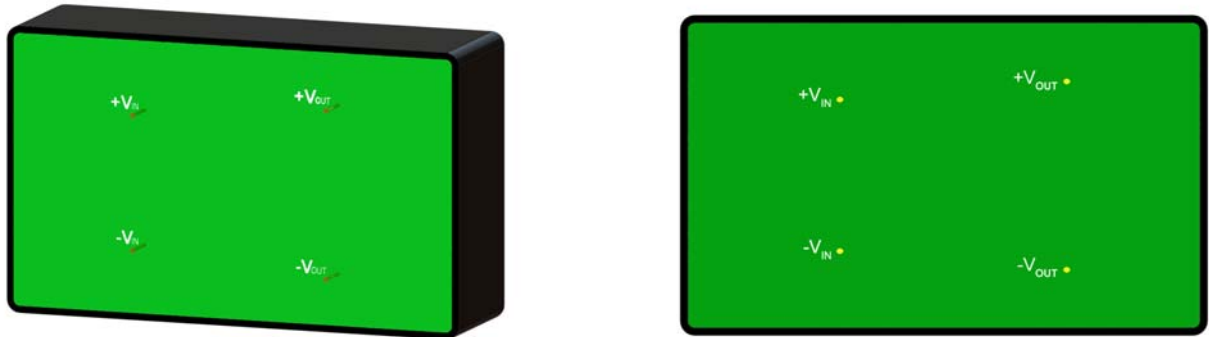


Figure 5. Pin Layout for AHVR15V3KV3R3MAP

II. Dimensions of AHVR15V3KV3R3MAP

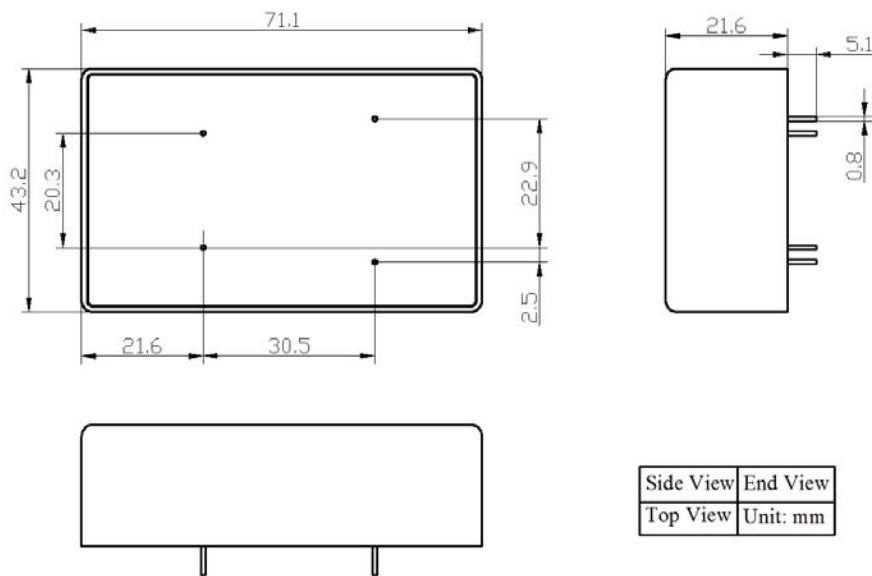


Figure 6. Dimensions for AHVR15V3KV3R3MAP

PRICES

Quantity	1~9pcs	10~49pcs	50~99pcs	≥100pcs
AHVR15V3KV3R3MAP	\$139	\$129	\$119	\$109



**NOTICE**

1. ATI warrants performance of its products for one year to the specifications applicable at the time of sale, except for those being damaged by excessive abuse. Products found not meeting the specifications within one year from the date of sale can be exchanged free of charge.
2. ATI reserves the right to make changes to its products or to discontinue any product or service without notice, and advise customers to obtain the latest version of relevant information to verify, before placing orders, that information being relied on is current and complete.
3. All products are sold subject to the terms and conditions of sale supplied at the time of order acknowledgment, including those pertaining to warranty, patent infringement, and limitation of liability. Testing and other quality control techniques are utilized to the extent ATI deems necessary to support this warranty. Specific testing of all parameters of each device is not necessarily performed, except those mandated by government requirements.
4. Customers are responsible for their applications using ATI components. In order to minimize risks associated with the customers' applications, adequate design and operating safeguards must be provided by the customers to minimize inherent or procedural hazards. ATI assumes no liability for applications assistance or customer product design.
5. ATI does not warrant or represent that any license, either express or implied, is granted under any patent right, copyright, mask work right, or other intellectual property right of ATI covering or relating to any combination, machine, or process in which such products or services might be or are used. ATI's publication of information regarding any third party's products or services does not constitute ATI's approval, warranty or endorsement thereof.
6. IP (Intellectual Property) Ownership: ATI retains the ownership of full rights for special technologies and/or techniques embedded in its products, the designs for mechanics, optics, plus all modifications, improvements, and inventions made by ATI for its products and/or projects.