

1

2

3

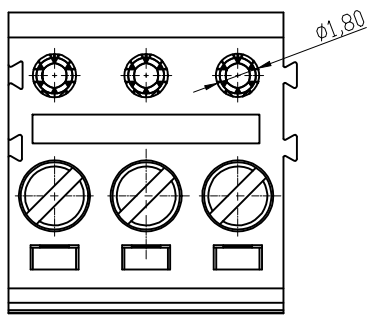
4

5

6

7

A



B

C

D

E

F

G

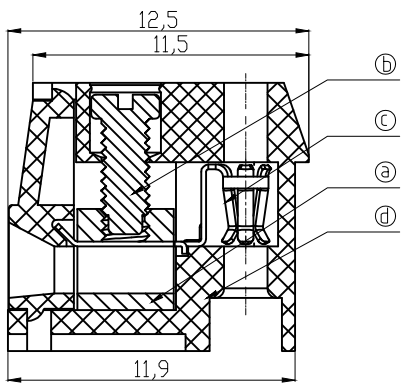
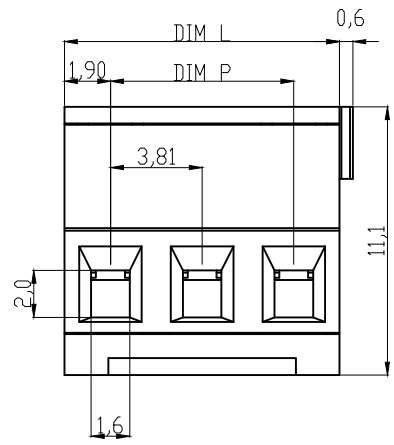
H

Material

- Item a Clamp: Brass(CuZn),Ni plated
- Item b Terminal screw: Steel Zinc plating "-" slot type
- Item c Female contact:PhBz,Tin plated
- Item d Terminal (housing): Thermoplastic (UL94V-0) , GREEN

Electrical

- Voltage rating: 300VAC
- Current rating: 10A
- Wire range:
- Solid wire(AWG): 16-28
- Stranded wire(AWG): 16-28
- Torque(Lb-In): 1.7
- Screw: M2
- Wire strip length: 5-6mm
- Withstanding Voltage: 1.6KV
- Operating temperature: -40°C to +115°C
- Soldering temperature: 250°C±10°C/5 Sec
- Safety Approval:



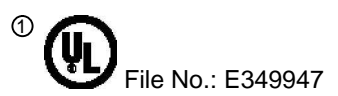
DIMENSION

L	Nx3.81
P	(N-1)x3.81

N=Number of poles

Poles	Tolerance	
	DIM L	DIM P
2p-6p	±0.15	±0.15
7p-12p	±0.20	±0.20
13p-18p	±0.30	±0.30
19p-24p	±0.40	±0.40

RoHS compliant
Unit:mm



Scale	1:1					Date	Name	Customer-No.
TOLERANCE						Drawn	Alex	ASSMANN WSW-No. A-TB381-TTxx
X.	±0.50					Approved	Joanna	
X.X	±0.30							
X.XX	±0.10							
DIM	TOL	①	Add UL	15.03.2016	Joanna			
X.°	±1°	②	Drawn	19.04.2010	Alex			
Angle	TOL	Id.	Modification	Date	Name			

Drawing-No.	ASS 4117 CO	rev01
Replace		Sheet

1

2

3

4

5

6

7