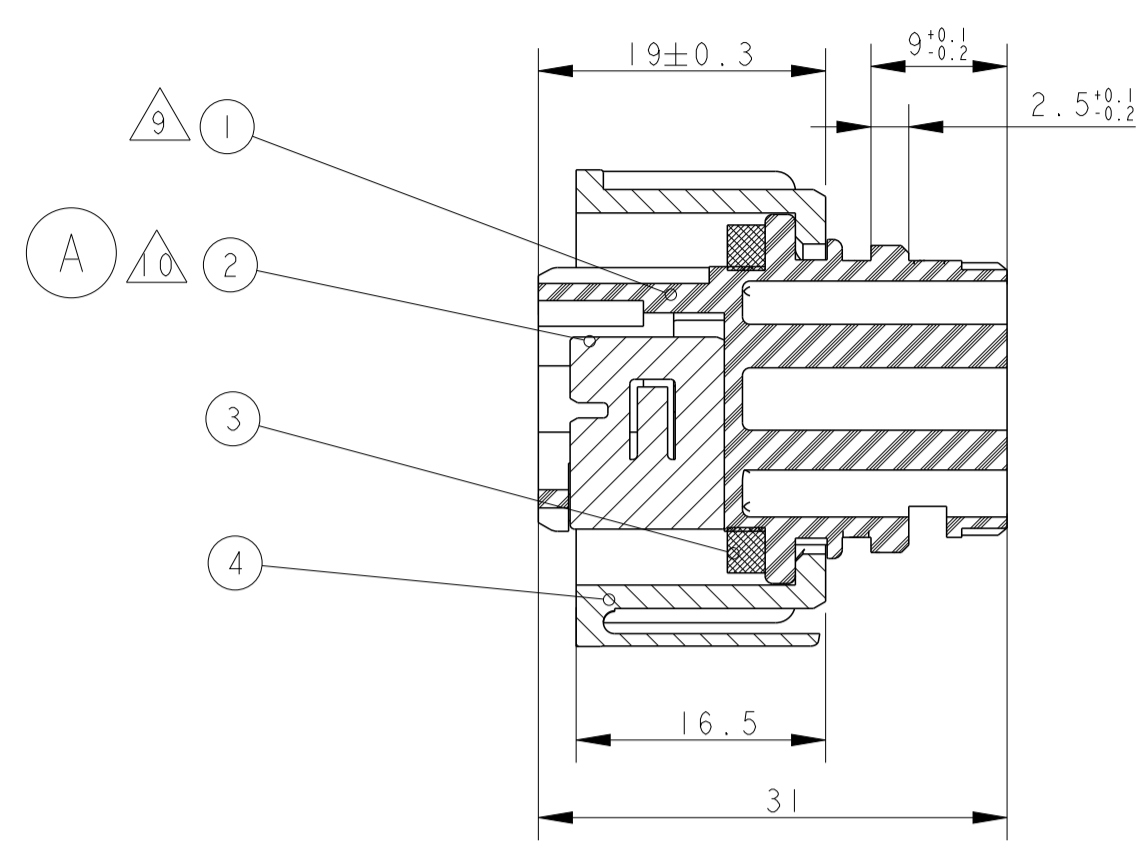
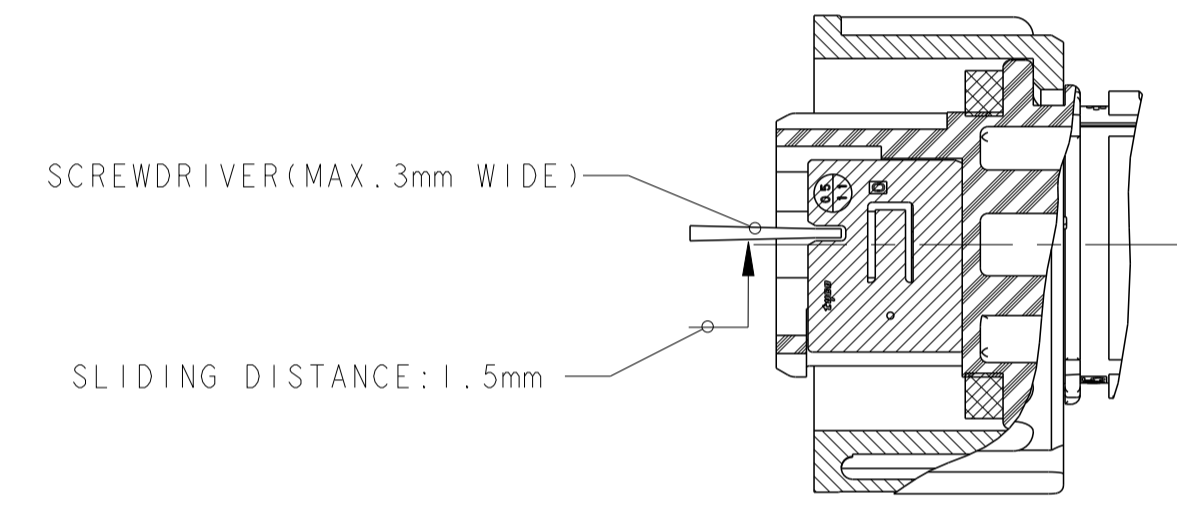


COUPLING RING IN PRE-LOCKED POSITION (FITTING POSITION WITH PIN HOUSING)

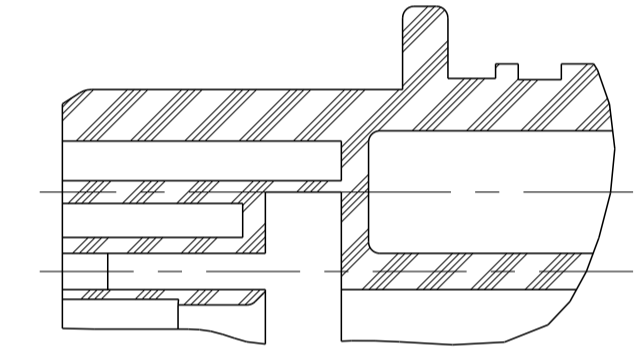


SECOND LOCKING DEVICE IN PRE-LOCKED POSITION

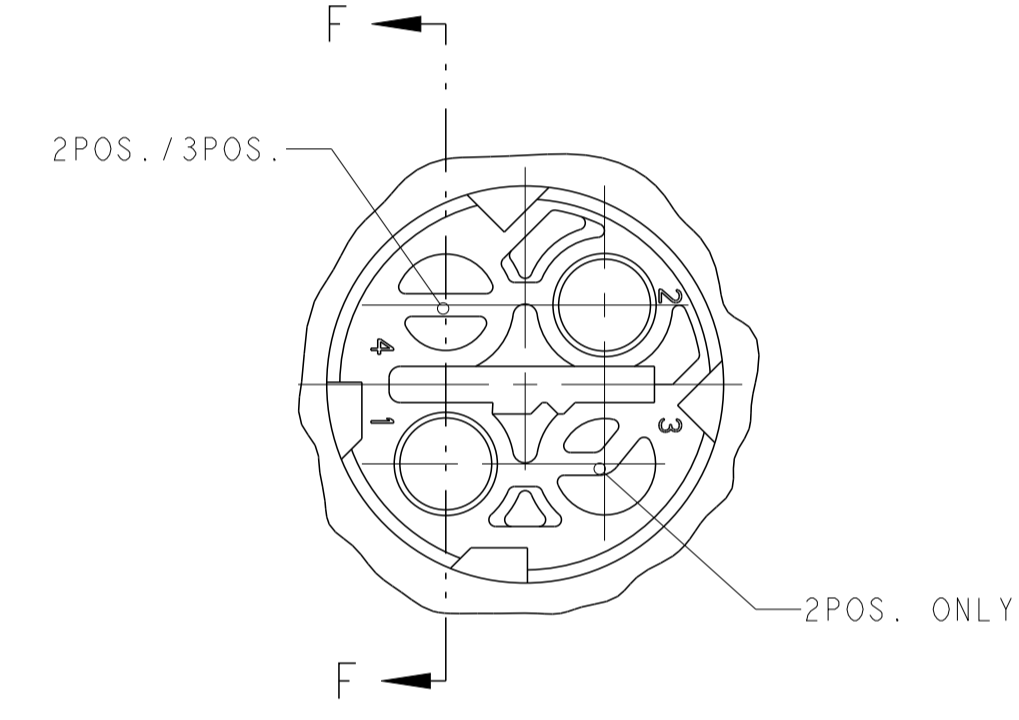
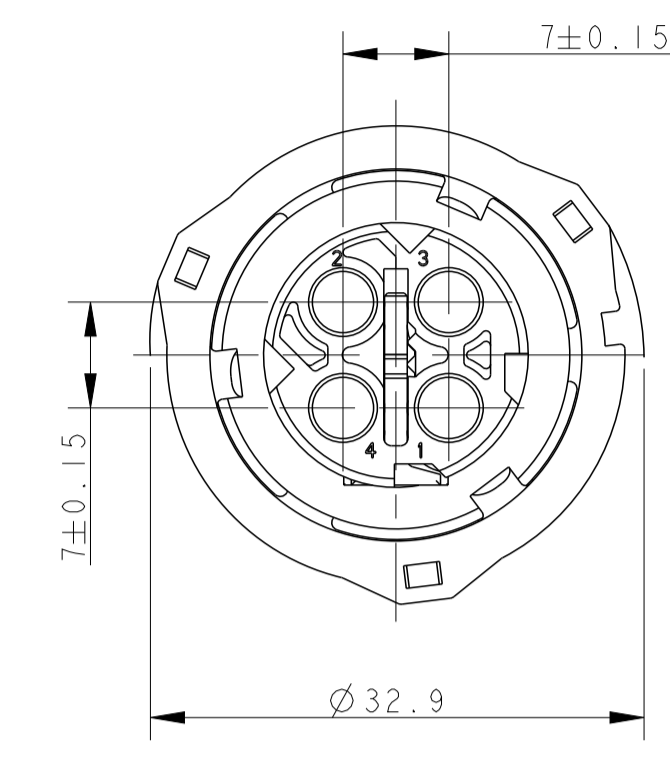


SECTION A-A

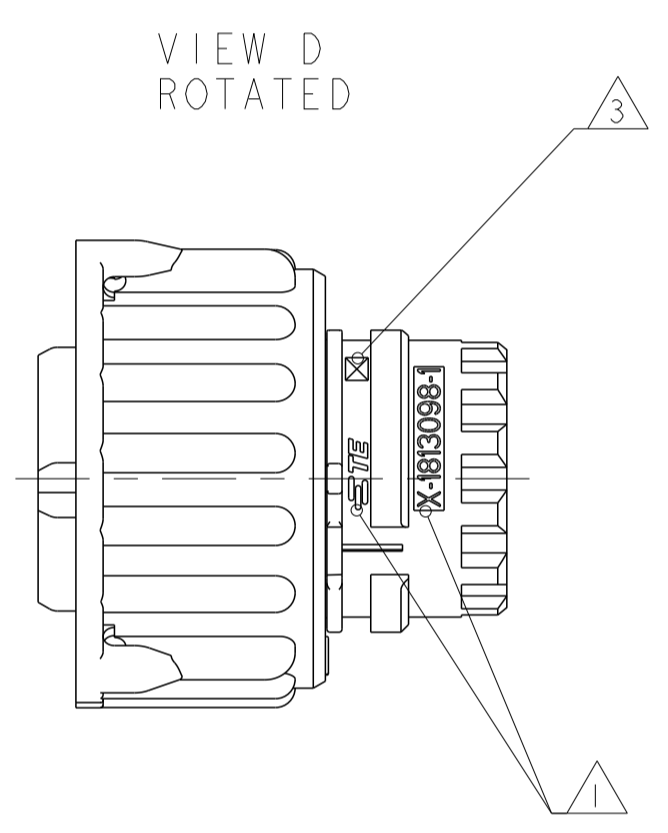
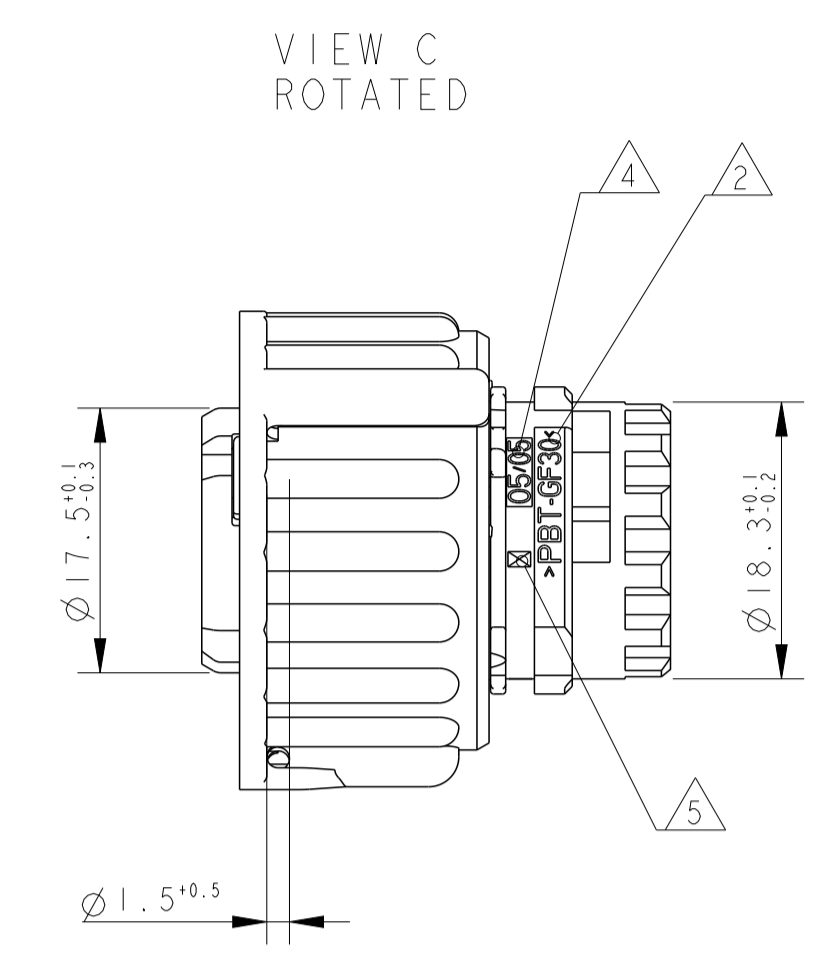
SECOND LOCKING DEVICE IN LOCKED POSITION



SECTION F-F



CLOSED CAVITY OF THE 2POS./3POS. SOCKET HOUSING



- NOTES:
- 1 TYCO LOGO AND TYCO NUMBER OF SINGLE PART
  - 2 MATERIAL MARKING, EXCHANGEABLE
  - 3 REVISION OF THE MOULD
  - 4 PRODUCTION DATE
  - 5 CAVITY MARKING
  6. FITS TO CONNECTORS ACC. TO DIN 72585/ISO 15170 FORM A AND B AND PIN-HOUSING 2-4POS. TYCO-PN 967402
  7. FOR SUITABLE CONTACTS SEE DRAWING: TYCO-PN: 1355065. MAX. WIRE THICKNESS: 2.5mm FLR. FOR SUITABLE SEALS SEE DRAWING: TYCO-PN: 1355070
  8. BULK PACKING IN CARDBOARD BOX
  - 9 CODING ACC. TO DIN 72585/ISO15170
  - 10 SECONDARY LOCK IS ONLY AVAILABLE FOR 1-1813099-X, 2-1813099-X, 3-1813099-X, 4-1813099-X. DETAIL SEE TABLE.

PA6-GF35		BLACK	COUPLING RING	4
PA6-GF35		BLACK	COUPLING RING	4
SILICONE RUBBER		ORANGE	SEAL	3
PA6/6T-GF25		YELLOW	SECOND LOCKING DEVICE	2
PBT-GF30		BLUE	2POS. SOCKET HOUSING (BLUE)	1
PBT-GF30		BLUE	3POS. SOCKET HOUSING (BLUE)	1
PBT-GF30		BLUE	4POS. SOCKET HOUSING (BLUE)	1
PBT-GF30		GREEN	2POS. SOCKET HOUSING (GREEN)	1
PBT-GF30		GREEN	3POS. SOCKET HOUSING (GREEN)	1
PBT-GF30		GREEN	4POS. SOCKET HOUSING (GREEN)	1
PBT-GF30		GREY	2POS. SOCKET HOUSING (GREY)	1
PBT-GF30		GREY	3POS. SOCKET HOUSING (GREY)	1
PBT-GF30		GREY	4POS. SOCKET HOUSING (GREY)	1
PBT-GF30		BLACK	2POS. SOCKET HOUSING (BLACK)	1
PBT-GF30		BLACK	3POS. SOCKET HOUSING (BLACK)	1
PBT-GF30		BLACK	4POS. SOCKET HOUSING (BLACK)	1
MATERIAL		COLOR	DESCRIPTION	ITEM

THIS DRAWING IS A CONTROLLED DOCUMENT.

<p>DIMENSIONS: mm</p> <p>TOLERANCES UNLESS OTHERWISE SPECIFIED: % USUAL TOLERANCE</p> <p>0 - P.L.C. ±0.2</p> <p>1 - P.L.C. ±0.1</p> <p>2 - P.L.C. ±0.01</p> <p>3 - P.L.C. ±0.001</p> <p>4 - P.L.C. ±0.0001</p> <p>ANGLES ±1°00'</p> <p>FINISH -</p>	DWG: A. ZHANG 03JUN2005 CHK: R. ZHOU 25OCT2005 APVD: K. QDA PRODUCT SPEC APPLICATION SPEC 108-101006 114-18255-0	<p><b>STE</b> TE Connectivity</p> <p>NAME: 2.5mm SOCKET CONNECTOR, 2-4POS WITH SECONDARY LOCKING</p> <p>SIZE: 3:1 SCALE SHEET 1 OF 1</p> <p>RESTRICTED TO: A100779C=1813099</p>
---	--	---

4805 (3/11)