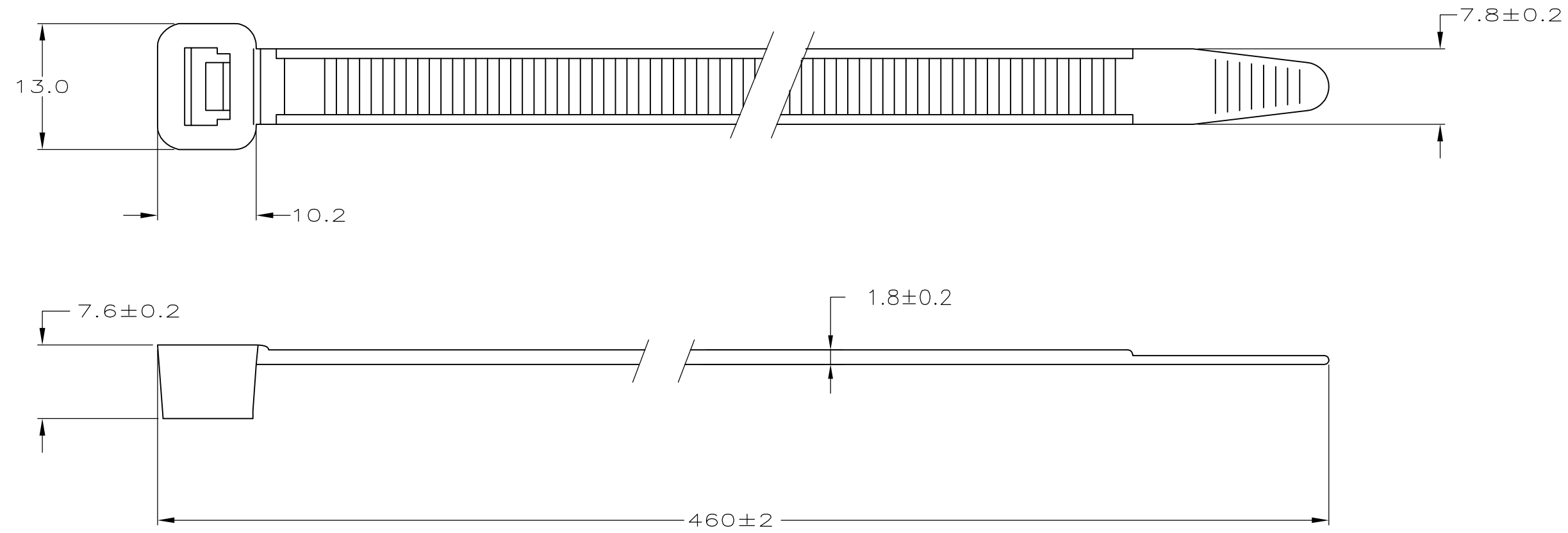


THIS DRAWING IS UNPUBLISHED. RELEASED FOR PUBLICATION
 © COPYRIGHT - By - ALL RIGHTS RESERVED.

LOC	DIST	REVISIONS				
P	LTR	DESCRIPTION	DATE	DWN	APVD	
H	-	C	VENDOR CHANGE; DIMENSION CHANGE ROLL BACK	21DEC2012	SP	RP

NOTES:
 1 RANGE: $\phi 130$ MAX.
 2 MIN. TENSILE STRENGTH 550N.



100	BLACK	POLYAMIDE 6.6	2-160984-2
100	NATURAL	POLYAMIDE 6.6	2-160984-1
QTY	FINISH	MATERIAL	PART NUMBER

THIS DRAWING IS A CONTROLLED DOCUMENT.		DWN J.V.D.HEIJDEN. 27-02-92	STE TE Connectivity													
DIMENSIONS: mm		CHK R.VOS.														
TOLERANCES UNLESS OTHERWISE SPECIFIED:		APVD L.V.SOEST.	NAME CABLE TY.													
<table border="0"> <tr><td>0 PLC</td><td>± -</td></tr> <tr><td>1 PLC</td><td>± 0.4</td></tr> <tr><td>2 PLC</td><td>± -</td></tr> <tr><td>3 PLC</td><td>± -</td></tr> <tr><td>4 PLC</td><td>± -</td></tr> <tr><td>ANGLES</td><td>± -</td></tr> </table>		0 PLC	± -	1 PLC	± 0.4	2 PLC	± -	3 PLC	± -	4 PLC	± -	ANGLES	± -	PRODUCT SPEC -	RESTRICTED TO -	
0 PLC	± -															
1 PLC	± 0.4															
2 PLC	± -															
3 PLC	± -															
4 PLC	± -															
ANGLES	± -															
MATERIAL SEE TABLE	FINISH SEE TABLE	APPLICATION SPEC -	SIZE A3	CAGE CODE 00779	DRAWING NO C-160984											
CUSTOMER DRAWING			SCALE NTS	SHEET 1 OF 1	REV C											