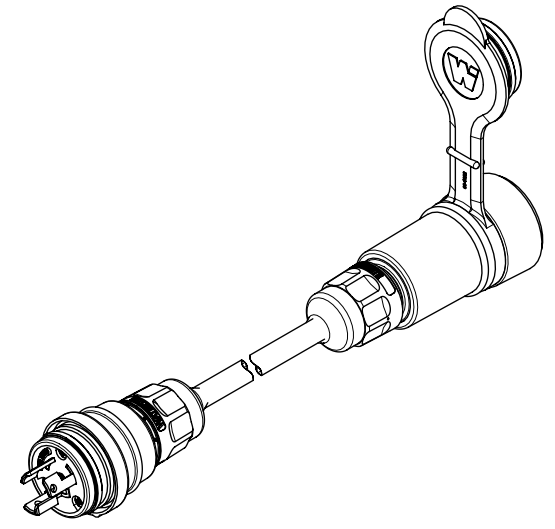
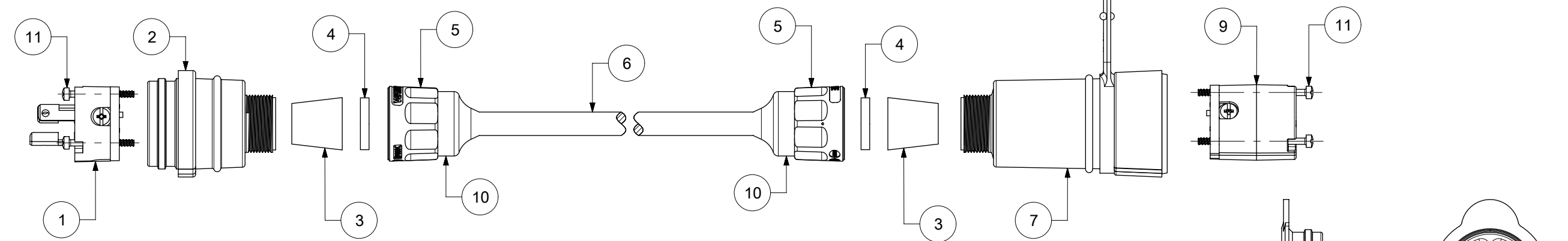
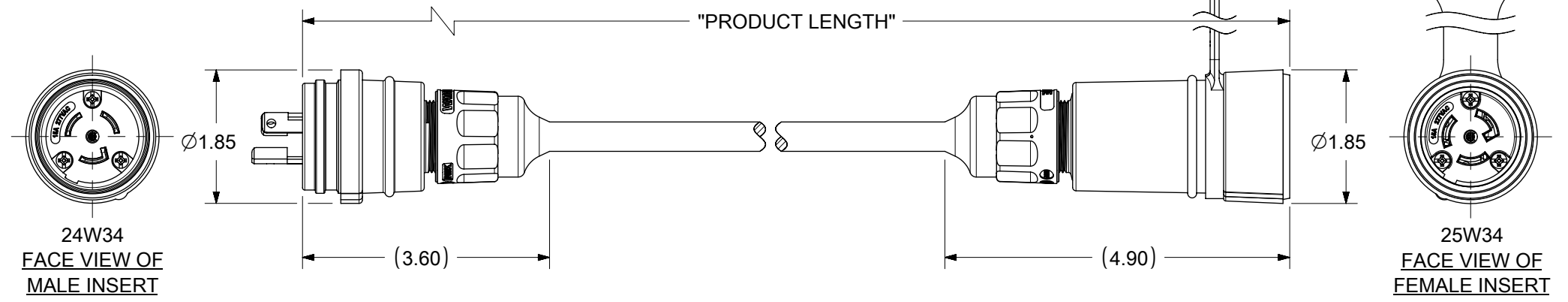


MATERIAL NO.	ENGINEERING NO.	DESCRIPTION	PRODUCT LENGTH
1301430185	24W34B163	24W34 W/50FT 16-3SO 25W34	50 FT +24.0/-0.0 IN
1301430186	24W34D143	24W34 W/100FT 14-3SO 25W34	100 FT +24.0/-0.0 IN
1301430017	24W34A163	24W34 W/25FT 16-3SO 25W34	25 FT +12.0/-0.0 IN

**NEMA L7-15; 15A 277V; 2-POLE/3-WIRE**



ITEM NO.	DESCRIPTION	MATERIAL	QTY.
1	MALE INSERT ASSY.	NYLON, POLYCARBONATE, BRASS PLATING - NICKEL OR ZINC	1
2	WATERTITE - MALE HUSK	SILICONE	1
3	GROMMET	RUBBER	2
4	FRICITION RING	NYLON	2
5	COMPRESSION NUT YELLOW	NYLON	2
6	YELLOW SOOW CORD	COPPER WIRE	1
7	WATERTITE - FEMALE HUSK	SILICONE	1
8	CLOSURE CAP YELLOW	SILICONE	1
9	FEMALE INSERT ASSY.	NYLON, POLYCARBONATE, BRASS PLATING - NICKEL OR ZINC	1
10	CABLE GLOVE	SILICONE	2
11	RETAINING SCREW	STAINLESS STEEL	6



<b>SYMBOLS</b> DIMENSION UNITS: INCH SCALE: NTS GENERAL TOLERANCES (UNLESS SPECIFIED): ANGULAR TOL: ± ° 4 PLACES: ± 3 PLACES: ± 2 PLACES: ± 1 PLACE: ± 0 PLACES: ± DRAFT WHERE APPLICABLE MUST REMAIN WITHIN DIMENSIONS	THIS DRAWING CONTAINS INFORMATION THAT IS PROPRIETARY TO MOLEX ELECTRONIC TECHNOLOGIES, LLC AND SHOULD NOT BE USED WITHOUT WRITTEN PERMISSION CURRENT REV DESC: NEW SALE DRAWING CREATED.			
	EC NO: 620468 DRWN: PPURSUTANDEL 2019/07/08 CHK'D: DNGUYEN62 2019/08/07 APPR: HKNEELAND 2020/05/19			
	INITIAL REVISION: DRWN: PPURSUTANDEL 2019/07/08 APPR: HKNEELAND 2020/05/19		PRODUCT CUSTOMER DRAWING DOCUMENT NUMBER: 1301430185 DOC TYPE: PSD DOC PART: 000 REVISION: A	
	THIRD ANGLE PROJECTION 	DRAWING: B-SIZE	SERIES: 130143	MATERIAL NUMBER: SEE TABLE CUSTOMER: GENERAL MARKET SHEET NUMBER: 1 OF 1