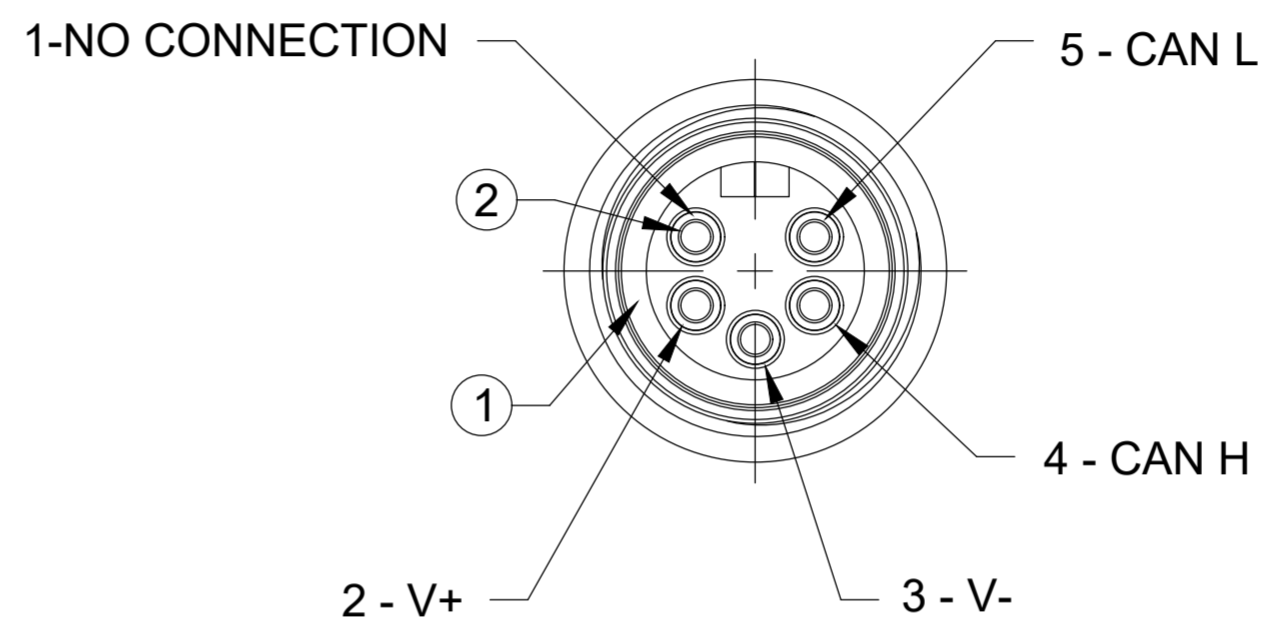
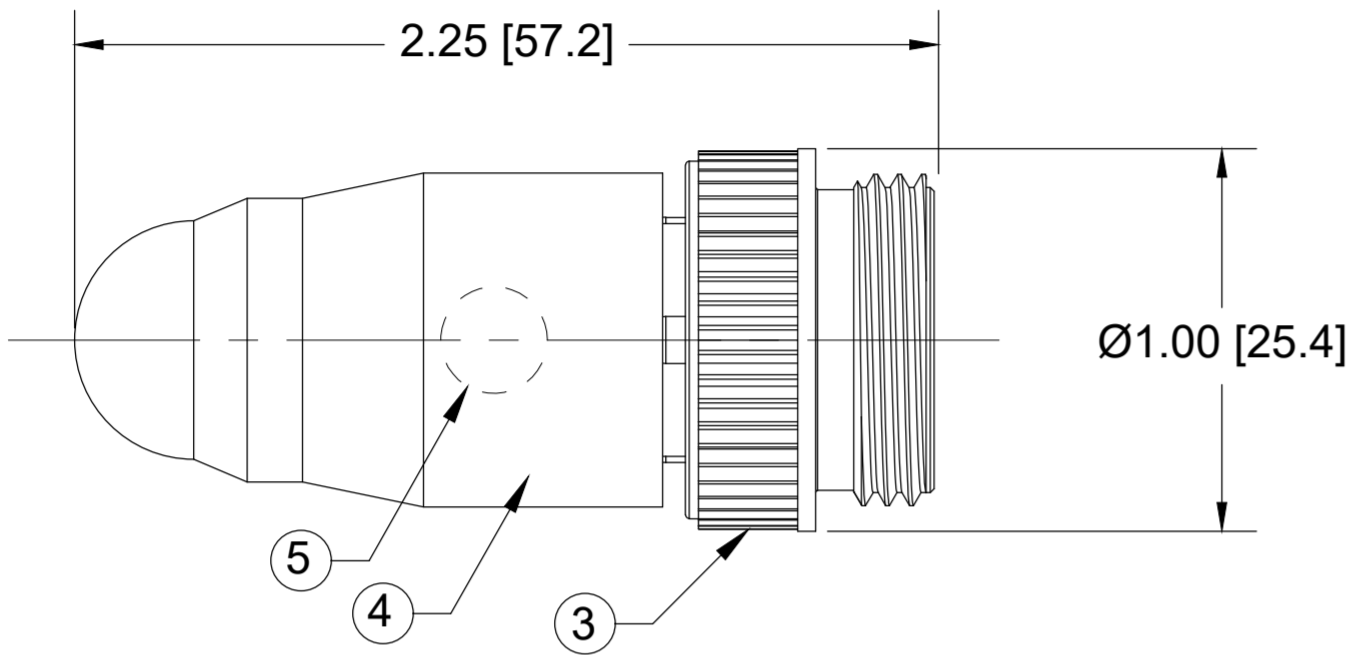
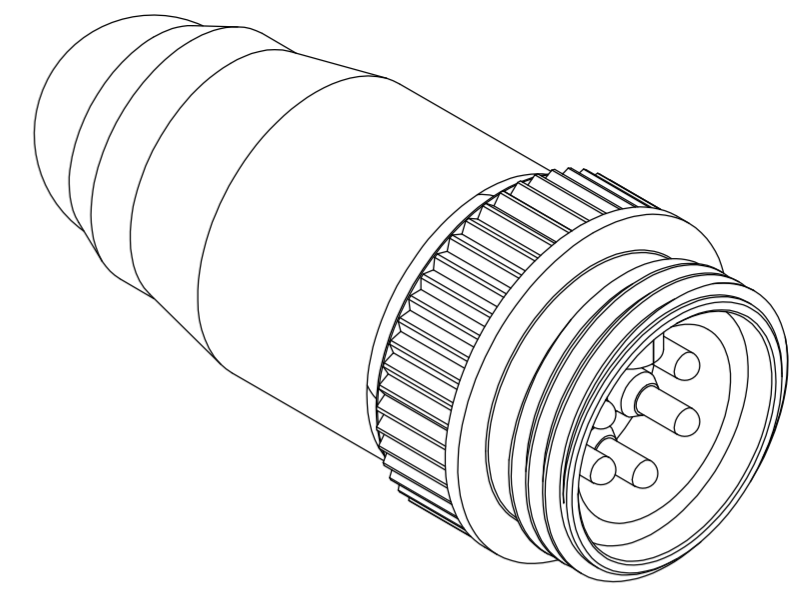
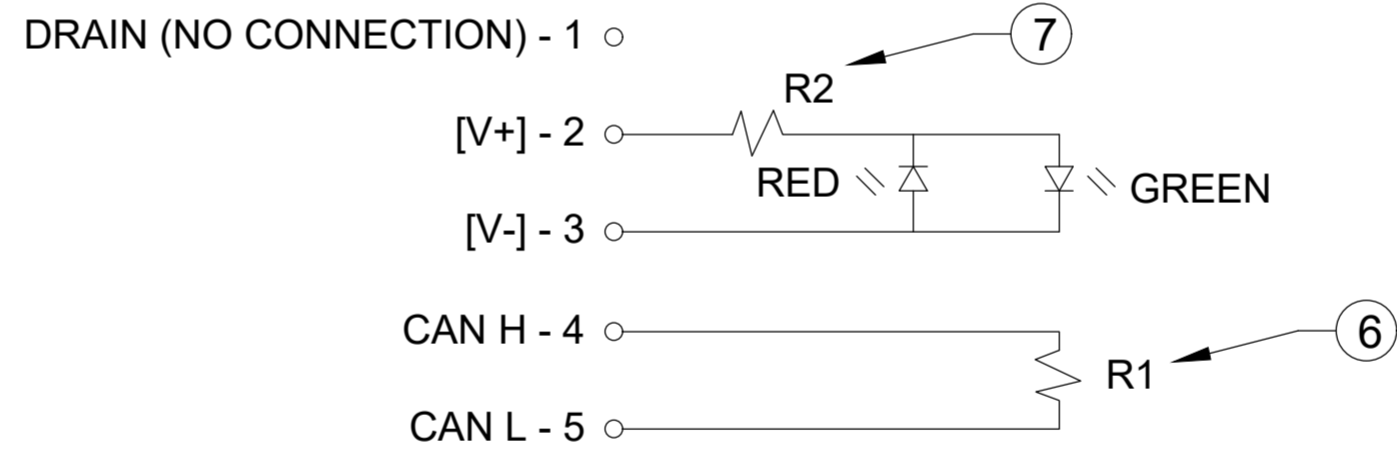


MATERIAL NUMBER	ENGINEERING NUMBER
1300390371	DN100L



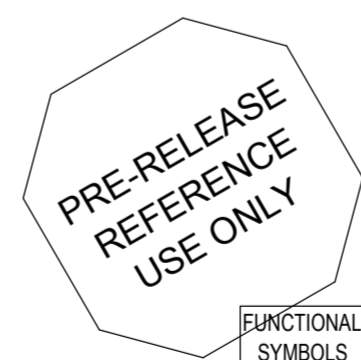
NOTES:

- MATERIAL: AS NOTED
- FINISH: AS NOTED
- ELECTRICAL:  
VOLTAGE: 50 VAC/VDC  
CURRENT: 8 AMPS
- TEMP RATING: 0°C TO +60°C
- PROTECTION: IP67 (WHEN MATED)
- COUPLING THREAD: 7/8"-16UN
- ALL DIMENSIONS ARE FOR REFERENCE UNLESS TOLERANCED OR NOTED OTHERWISE



WIRING SCHEMATIC

ITEM	COMPONENT	MATERIAL	FINISH
1	INSERT	TPE	GRAY
2	CONTACT PIN	COPPER ALLOY	GOLD OVER NICKEL
3	COUPLNG NUT	ZINC DIE CAST	BLACK E-COATED
4	OVERMOLD	PUR	CLEAR
5	LED		RED/GREEN
6	RESISTOR(R1)	121 OHM 1/4 WATT	
7	RESISTOR(R2)	1600 OHM 1/2 WATT	



THIS DRAWING CONTAINS INFORMATION THAT IS PROPRIETARY TO MOLEX ELECTRONIC TECHNOLOGIES, LLC AND SHOULD NOT BE USED WITHOUT WRITTEN PERMISSION											
FUNCTIONAL SYMBOLS		DIMENSION UNITS		SCALE		CURRENT REV DESC: ITEM# 1 & 4 WERE PVC					
FA=0		INCH/MM		NTS		<p><b>molex</b></p> <p>MINI-CHANGE TERMINATOR, A-SIZE, 5 POLE, MALE, STRAIGHT, SINGLE KEY, 22AWG</p> <p>PRODUCT CUSTOMER DRAWING</p> <p>DOCUMENT NUMBER: SD-130039-013    DOC TYPE/DOC PART: PSD 001    REVISION: B</p>					
FC=0		GENERAL TOLERANCES (UNLESS SPECIFIED)									
FP=0		mm		INCH							
DIVISIONAL SYMBOLS		4 PLACES ±----		±----							
		3 PLACES ±----		±----		EC NO: 643513					
		2 PLACES ±----		±0.01		DRWN: ABENJAMINLW    2020/07/15					
		1 PLACE ±0.3		±----		CHK'D: RSTONE    2020/08/28					
		0 PLACES ±----		±----		APPR: ----					
		ANGULAR TOL ± ---- °				INITIAL REVISION:					
DRAFT WHERE APPLICABLE MUST REMAIN WITHIN DIMENSIONS				THIRD ANGLE PROJECTION		DRAWING		SERIES		MATERIAL NUMBER	
						C-SIZE		130039		SEE_CHART	
										GENERAL MARKET	
										1 OF 1	