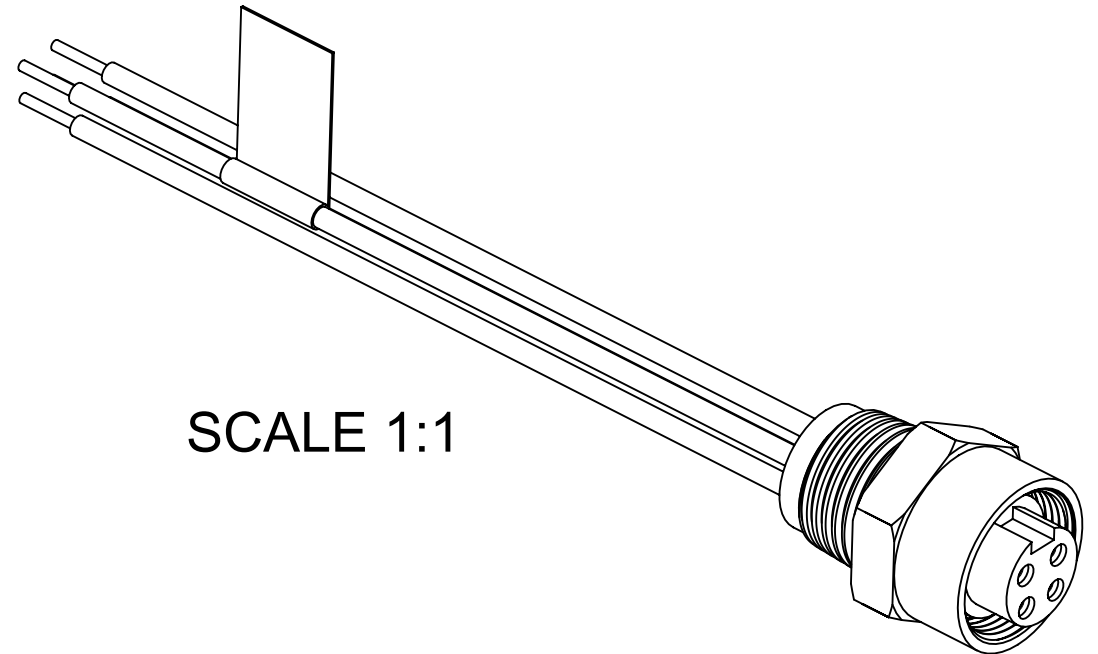
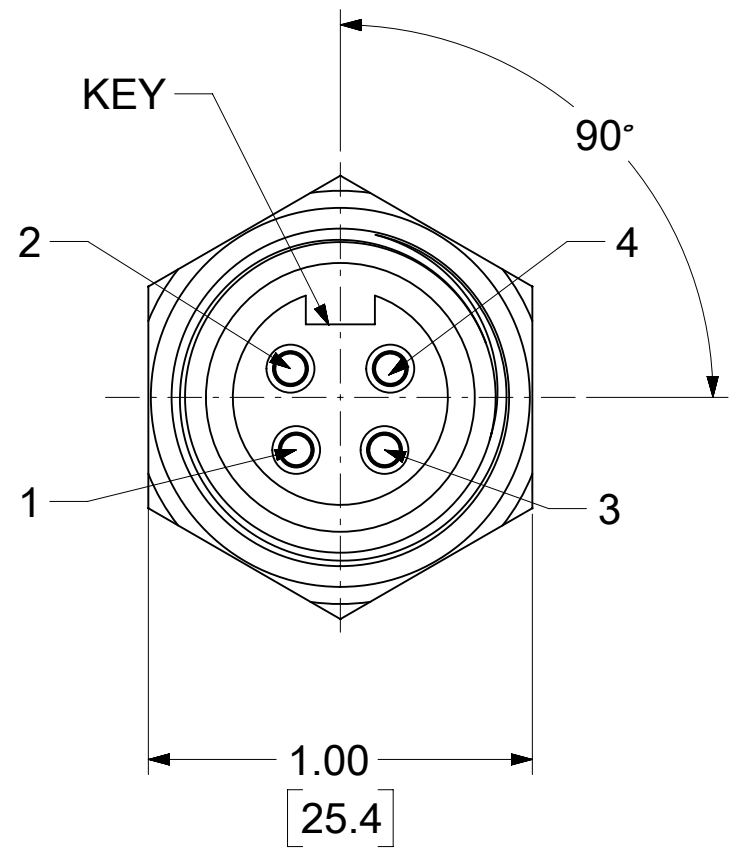
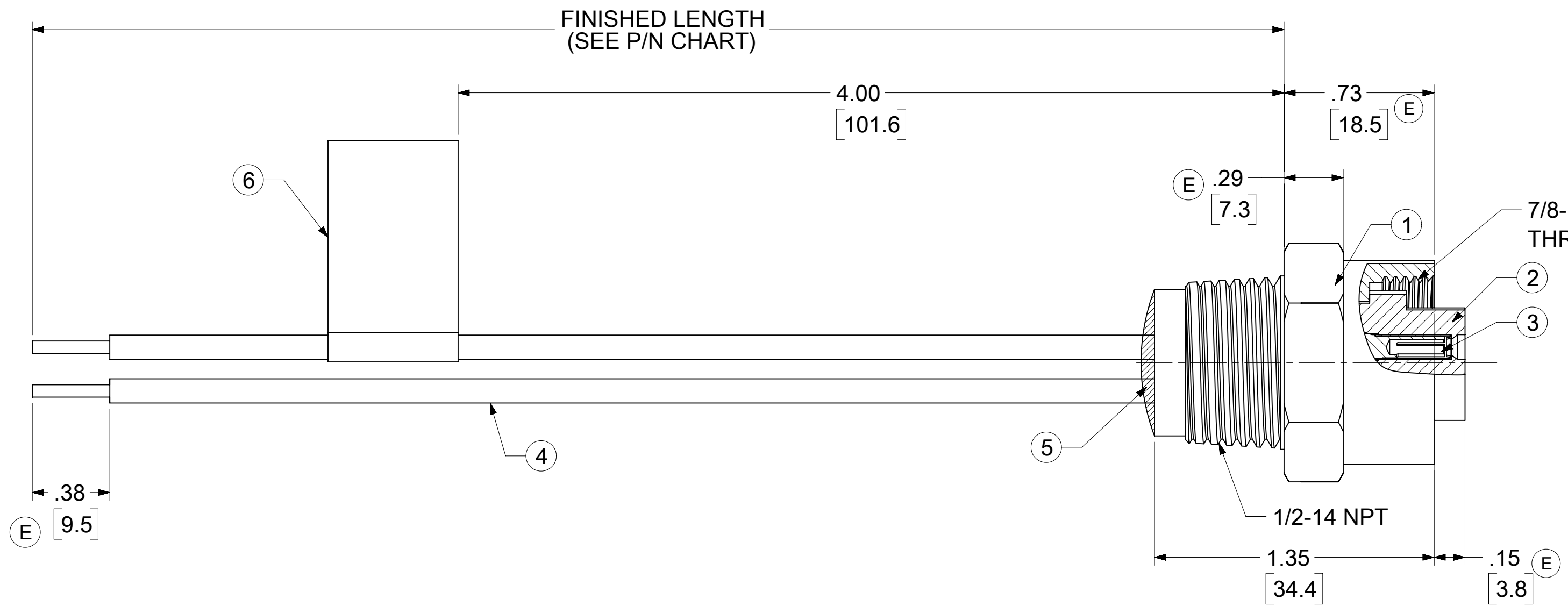


MATERIAL NO.	ENGINEERING NO.	FINISHED LENGTH
1300130299	1R4000A39M005	1 FT 7.7 IN (0.5M)
1300130302	1R4000A39M030	9 FT 10.1 IN (3.0M)
1300130305	1R4000A39M060	19 FT 8.2 IN (6.0M)

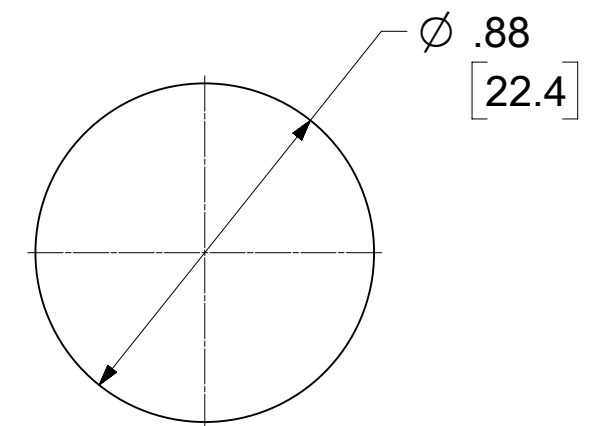
TOLERANCE CHART					
FINISH LENGTH [FT]			FINISH LENGTH [M]		
OVER	UNDER	TOLERANCE [IN]	OVER	UNDER	TOLERANCE [mm]
0.00	.167	N/A	0.0	0.05	NA
.167	.500	+ .63 -0	0.05	0.15	+16 -0
.500	1.00	+ .75 -0	0.15	0.3	+19 -0
1.00	3.00	+1.75 -0	0.3	0.9	+44.5 -0
3.00	6.00	+2.19 -0	0.9	1.8	+55.6 -0
6.00	12.00	+3.50 -0	1.8	3.7	+88.8 -0
12.00	24.00	+6.50 -0	3.7	7.3	+165.1 -0
24.00	48.00	+12.50 -0	7.3	21.9	+317.5 -0
48.00	96.00	+24.50 -0	21.9	29.3	+622.3 -0
96.00	~	+2.00% -0	29.3	~	+2% OF FIN LGTH



SCALE 1:1



- NOTES:
1. MATERIAL: AS NOTED
  2. FINISH: AS NOTED
  3. ELECTRICAL:  
VOLTAGE: 483V PER IEC60664  
600V PER UL2238  
CURRENT: 8A (E)
  4. TEMP RATING: -20°C TO +105°C
  5. PROTECTION: IP67 (WHEN MATED)
  6. UL RECOGNIZED FILE: E152210  
CSA CERTIFIED FILE: LR6837 (E)
  7. ALL DIMS ARE FOR REFERENCE UNLESS TOLERANCED OR NOTED OTHERWISE



REF. KNOCKOUT HOLE

**PART NO. MATRIX**  
**1R4000A39M005**

FINISHED LENGTH  
M005 = 0.5 METER  
M010 = 1.0 METER  
M100 = 10.0 METERS

**WIRING DIAGRAM**

BROWN	1
WHITE	2
BLUE	3
BLACK	4

PIN-OUT PER CENELEC COLOR CODE

ITEM	DESCRIPTION	MATERIAL	FINISH
6	FLAG LABEL	VINYL	BLACK/YELLOW
5	POTTING MATERIAL	EPOXY	
4	WIRE #16 (UL 1015)	PVC INSULATION	SEE FACE VIEW
3	CONTACT SOCKET & SLEEVE ASSY.	Cu ALLOY	GOLD PLATED
2	INSERT	TPE	YELLOW
1	RECEPTACLE SHELL	ZINC (DIE-CAST)	NICKEL PLATED
ITEM	DESCRIPTION	MATERIAL	FINISH

FUNCTIONAL SYMBOLS	THIS DRAWING CONTAINS INFORMATION THAT IS PROPRIETARY TO MOLEX ELECTRONIC TECHNOLOGIES, LLC AND SHOULD NOT BE USED WITHOUT WRITTEN PERMISSION		CURRENT REV DESC: ITEM 2 WAS PVC, CURRENT, MATERIAL TAB & TOLERANCE CHART MODIFIED. CSA & DIMS ADDED.				
	MINI-CHANGE RECEPTACLE, A SIZE 4P, FEMALE, STRAIGHT, SINGLE KEY, 16 AWG						
$\nabla_A = 0$ $\nabla_E = 0$ $\nabla_P = 0$	DIMENSION UNITS: INCH/MM	SCALE: 2:1	EC NO: 641453		PRODUCT CUSTOMER DRAWING		
GENERAL TOLERANCES (UNLESS SPECIFIED)			DRWN: PDODDAMANEMY 2020/04/03		DOCUMENT NUMBER: SD-130013-086		
ANGULAR TOL ± 0.5°			CHK'D: RSTONE 2020/07/20		DOC TYPE: PSD		
4 PLACES ±			APPR: BWOODMAN 2020/07/27		DOC PART: 001		
3 PLACES ±			INITIAL REVISION:		REVISION: E		
2 PLACES ±			DRWN: RSTONE 2009/08/26		SHEET NUMBER: 1 OF 1		
1 PLACE ± 0.3			APPR: JFMURPHY 2009/08/27		MATERIAL NUMBER: SEE TABLE		
0 PLACES ±			THIRD ANGLE PROJECTION		CUSTOMER: GENERAL MARKET		
DRAFT WHERE APPLICABLE MUST REMAIN WITHIN DIMENSIONS			DRAWING: C-SIZE		SERIES: 130013		