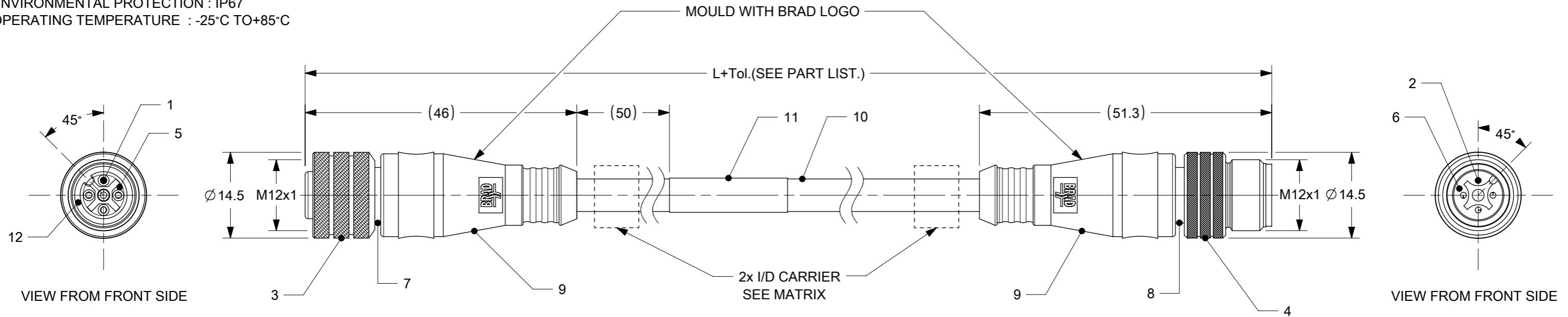
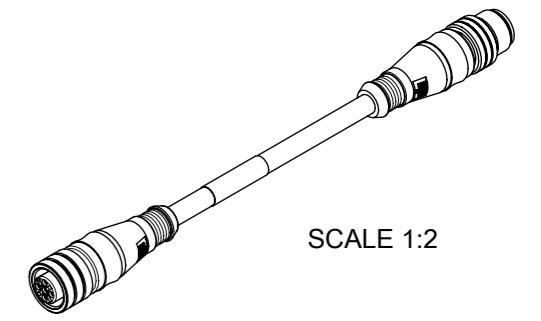


FEMALE MICRO-CHANGE M12 STRAIGHT TO MALE MICRO-CHANGE M12 STRAIGHT

ELECTRICAL SPECIFICATIONS :

VOLTAGE RATING : 3-4P = 250V
 5P = 60V
 8P = 30V
 CURRENT RATING : 3-5P = 4 AMPS
 8P = 2 AMPS
 INSULATION RESISTANCE : $10^8 \Omega$ MN
 MATING CYCLES : MAX. 100
 ENVIRONMENTAL PROTECTION : IP67
 OPERATING TEMPERATURE : -25°C TO +85°C



CONTACTS POSITION FRONT VIEW:

	3 CONTACTS		4 CONTACTS		5 CONTACTS		8 CONTACTS	
FEMALE								
MALE								
CONNECTIONS	PIN	WIRE	PIN	WIRE	PIN	WIRE	PIN	WIRE
	1	BROWN	1	BROWN	1	BROWN	1	WHITE
	2	-	2	WHITE	2	WHITE	2	BROWN
	3	BLUE	3	BLUE	3	BLUE	3	GREEN
	4	BLACK	4	BLACK	4	BLACK	4	YELLOW
					5	GREY	5	GREY
							6	PINK
							7	BLUE
						8	RED	

CODING REQUIRED TO IEC 61076-2-101

BOM

ITEM	QTY.	DESCRIPTION	MATERIAL	FINISH/COLOR
1	3/ 4 / 5 / 8	CONTACT FEMALE	BRASS	SELECTIVE GOLD OVER NICKEL
2	3/ 4 / 5 / 8	CONTACT MALE	BRASS	SELECTIVE GOLD OVER NICKEL
3	1	COUPLING NUT FEMALE	BRASS	Ni-PLATED
4	1	COUPLING NUT MALE	BRASS	Ni-PLATED
5	1	M12 INSERT FEMALE	PUR	BLACK
6	1	M12 INSERT MALE	PUR	BLACK
7	1	SLEEVE SHLD FEMALE	BRASS	Ni-PLATED
8	1	SLEEVE SHLD MALE	BRASS	Ni-PLATED
9	-	OVERMOULD	TPU	SEE MATRIX
10	-	CABLE	SEE MATRIX	SEE MATRIX
11	1	LABEL YELLOW	VINYL	-
12	1	O-RING	FPM	RED

THIS DRAWING CONTAINS INFORMATION THAT IS PROPRIETARY TO MOLEX ELECTRONIC TECHNOLOGIES, LLC AND SHOULD NOT BE USED WITHOUT WRITTEN PERMISSION

DIMENSION UNITS	SCALE	CURRENT REV DESC: OBSOLETE PART NUMBERS AS PER PCN#506884	molex	
mm	2:1			
GENERAL TOLERANCES (UNLESS SPECIFIED)			MICRO-CHANGE ASSEMBLY MALE/FEMALE, SHIELDED 3-8 POLE	
ANGULAR TOL	± 1.0°	EC NO: 662770	PRODUCT CUSTOMER DRAWING	
4 PLACES	±	DRWN: SUGEEB	2021/02/26	
3 PLACES	±	CHK'D: GGA	2021/06/02	
2 PLACES	± 0.05	APPR: GGA	2021/06/02	
1 PLACE	± 0.3	INITIAL REVISION:		
0 PLACES	± 0.5	DRWN: RSTONE	2017/01/04	
		APPR: BWOODMAN	2017/01/18	
DRAFT WHERE APPLICABLE MUST REMAIN WITHIN DIMENSIONS		THIRD ANGLE PROJECTION	DRAWING	SHEET NUMBER
			A3-SIZE	120069
		SERIES	MATERIAL NUMBER	CUSTOMER
			SEE TABLE	GENERAL MARKET
		DOCUMENT NUMBER	DOC TYPE	DOC PART
		SD-120069-041	PSD	001
		REVISION		
				A4
				1 OF 3

ENGINEERING NO. - NUMERICAL CODE

8 8 X S 3 0 X X X M X X X X X

OPTIONS

8 = M12 MICRO CHANGE

8 = M12 MICRO CHANGE

S30= Double-Ended Cordset Shielded Female Straight to Shielded Male Straight

Contacts:
3=3 Contacts
4=4 Contacts
5=5 Contacts
8=8 Contacts

Cable type:
S20 - Yellow Braided PVC 0.34mm²(22AWG)
P20 - Black Braided PUR 0.34mm²(22AWG)
P19 - Black Braided PUR 0.25mm²(24AWG)
S19 - Yellow Braided PVC 0.25mm²(24AWG)

Units:
M=Meter
F=Feet

Length
Examples:
020=0.5 METERS
050=5 METERS
200=20 METERS

Overmold color:
Blank= PUR (Standard)
A=Grey / G=Black / Y=Yellow
BLANK = Yellow TPU for cables S19, S20


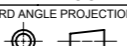
Coupling Nut Material :
Blank : Standard
1 = Stainless Steel
5= Delrin
7= Teflon Coated
H= 2x ID Carrier

CABLE INFORMATION :

CABLE TYPE	NO. OF WIRES	CROSS SECTION	CABLE JACKET	UL	CSA	STATIC: TEMP. / BENDING RADIUS	DYNAMIC: TEMP. / BENDING RADIUS	DRAG CHAIN	SHIELD
P19	8	0.25mm ²	PUR BLACK	-	-	-40°C to +90°C, >7.5xO.D.	-15°C to +90°C, >12.5xO.D.	2 000 000 cycles, Velocity = 120m/min ; bending 15XO.D.	YES
P20	3/4/5	0.34mm ²	PUR BLACK LSOH	-	-	-40°C to +90°C	-25°C to +90°C	-	YES
S19	8	0.25mm ²	PVC YELLOW	UL 2661	CSA C22.2	-30°C to +105°C, 10xO.D.	-15°C to +105°C, 15xO.D.	2 000 000 cycles , speed =4m/sec	YES
S20	3/4/5	0.34mm ²	PVC YELLOW	UL 2661	1731-CSA	-30°C to +105°C	-40°C to +105°C	-	YES

CABLE LENGTH TOLERANCES


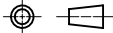
OVER [mm]	UP TO AND INCLUDING [mm]	TOLERANCES [mm]
0	305	+19
305	915	+45
915	1830	+56
1830	3660	+89
3660	7320	+165
7320	14640	+317
14640	30500	+610
30500	>	+2% of finished length

THIS DRAWING CONTAINS INFORMATION THAT IS PROPRIETARY TO MOLEX ELECTRONIC TECHNOLOGIES, LLC AND SHOULD NOT BE USED WITHOUT WRITTEN PERMISSION										
DIMENSION UNITS	SCALE	CURRENT REV DESC: OBSOLETE PART NUMBERS AS PER PCN#506884								
mm	1:1	 MICRO-CHANGE ASSEMBLY MALE/FEMALE, SHIELDED 3-8 POLE								
GENERAL TOLERANCES (UNLESS SPECIFIED)										
ANGULAR TOL	± 1.0 °	PRODUCT CUSTOMER DRAWING								
4 PLACES	±	EC NO: 662770	2021/02/26							
3 PLACES	±	DRWN: SUGEEB	2021/06/02							
2 PLACES	± 0.05	CHK'D: GGA	2021/06/02							
1 PLACE	± 0.3	APPR: GGA	2021/06/02							
0 PLACES	± 0.5	INITIAL REVISION:		DOCUMENT NUMBER						
DRAFT WHERE APPLICABLE MUST REMAIN WITHIN DIMENSIONS		THIRD ANGLE PROJECTION		DRAWING	SERIES	MATERIAL NUMBER	CUSTOMER	DOC TYPE	DOC PART	REVISION
				A3-SIZE	120069	SEE TABLE	GENERAL MARKET	PSD	001	A4
										SHEET NUMBER
										2 OF 3

PART LIST

No..	MOLEX PN	ENGINEERING NO.	LENGTH
1	1200695045	883S30P20M010	1m
2	1200698080	883S30P20M050	5m
3	1200698035	884S30P20M010	1m
4	1200698036	884S30P20M050	5m
5	1200698128	884S30P20M100	10m
6	1200698129	884S30P20M150	15m
7	1200695054	885S30P20M003	0.3m
8	1200699582	885S30P20M006H	0.6m
9	1200698395	885S30P20M010	1m
10	1200699583	885S30P20M010H	1m
11	1200698342	885S30P20M015	1.5m
12	1200698039	885S30P20M020	2m
13	1200699584	885S30P20M020H	2m
14	1200698448	885S30P20M030	3m
15	1200699585	885S30P20M030H	3m
16	1200698040	885S30P20M050	5m
17	1200699586	885S30P20M050H	5m
18	1200698544	885S30P20M060	6m
19	1200699587	885S30P20M060H	6m
20	1200695053	885S30P20M100	10m
21	1200699588	885S30P20M100H	10m
22	1200698590	885S30P20M120	12m
23	1200699589	885S30P20M150H	15m
24	1200699590	885S30P20M200H	20m
25	1200698140	885S30P20M250	25m
26	1200699591	885S30P20M300H	30m
27	1200699592	885S30P20M350H	35m
28	1200698041	888S30P19M003	0.3m
29	1200698111	888S30P19M010	1m
30	1200690211	888S30P19M020	2m

NO.	MOLEX PN	ENGINEERING NO.	LENGTH
32	1200698042	888S30P19M030	3m
33	1200100233	888S30P19M050	5m
34	1200695005	888S30P19M100	10m
35	1200695011	888S30P19M250	25m
36	1200100128	883S30S20M050	5m
37	1200100203	884S30S20M100	10m
38	1200698091	888S30S19M010	1m
39	1200699605	885S30P20M070	7m
40	1200699606	885S30P20M055	5.5m
41	1200699703	885S30P20M090	9m

THIS DRAWING CONTAINS INFORMATION THAT IS PROPRIETARY TO MOLEX ELECTRONIC TECHNOLOGIES, LLC AND SHOULD NOT BE USED WITHOUT WRITTEN PERMISSION																	
DIMENSION UNITS		SCALE		CURRENT REV DESC: OBSOLETE PART NUMBERS AS PER PCN#506884													
mm		1:1		 <p>MICRO-CHANGE ASSEMBLY MALE/FEMALE, SHIELDED 3-8 POLE</p> <p>PRODUCT CUSTOMER DRAWING</p>													
GENERAL TOLERANCES (UNLESS SPECIFIED)																	
ANGULAR TOL ± 1.0°																	
4 PLACES ±																	
3 PLACES ±		EC NO: 662770		2021/02/26		<table border="1"> <tr> <td>DOCUMENT NUMBER</td> <td>DOC TYPE</td> <td>DOC PART</td> <td>REVISION</td> </tr> <tr> <td>SD-120069-041</td> <td>PSD</td> <td>001</td> <td>A4</td> </tr> </table>				DOCUMENT NUMBER	DOC TYPE	DOC PART	REVISION	SD-120069-041	PSD	001	A4
DOCUMENT NUMBER	DOC TYPE	DOC PART	REVISION														
SD-120069-041	PSD	001	A4														
2 PLACES ± 0.05		CHK'D: GGA		2021/06/02													
1 PLACE ± 0.3		APPR: GGA		2021/06/02													
0 PLACES ± 0.5		INITIAL REVISION:		2017/01/04		<table border="1"> <tr> <td>MATERIAL NUMBER</td> <td>CUSTOMER</td> <td colspan="2">SHEET NUMBER</td> </tr> <tr> <td>SEE TABLE</td> <td>GENERAL MARKET</td> <td colspan="2">3 OF 3</td> </tr> </table>				MATERIAL NUMBER	CUSTOMER	SHEET NUMBER		SEE TABLE	GENERAL MARKET	3 OF 3	
MATERIAL NUMBER	CUSTOMER	SHEET NUMBER															
SEE TABLE	GENERAL MARKET	3 OF 3															
DRAFT WHERE APPLICABLE MUST REMAIN WITHIN DIMENSIONS		THIRD ANGLE PROJECTION		DRAWING		SERIES		MATERIAL NUMBER									
				A4-SIZE		120069		SEE TABLE									

DOCUMENT STATUS	P1	RELEASE DATE	2021/06/02	05:44:58
-----------------	----	--------------	------------	----------