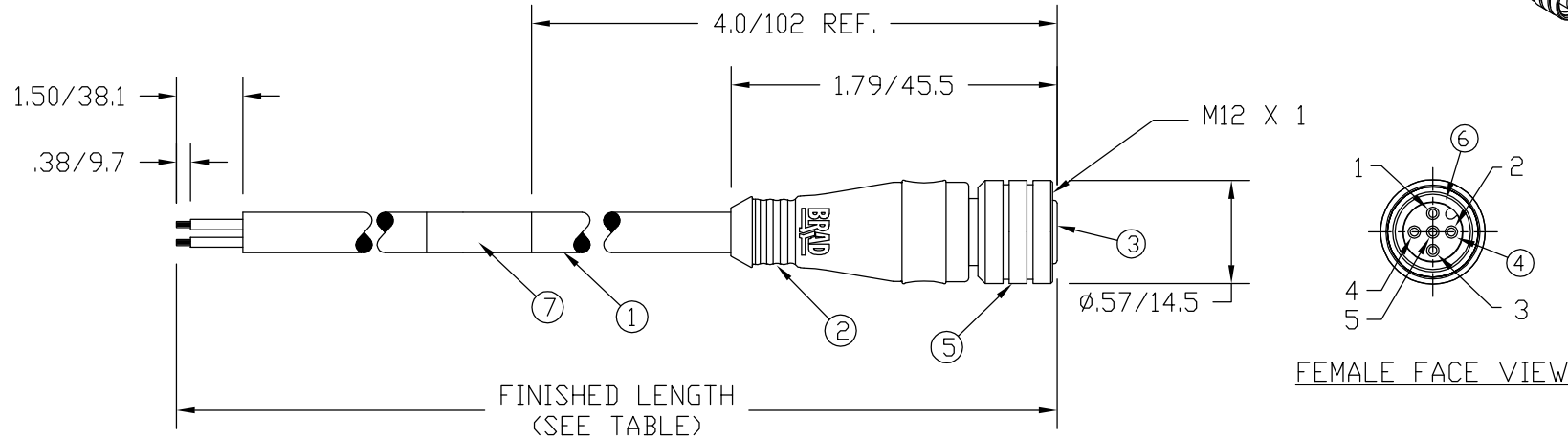
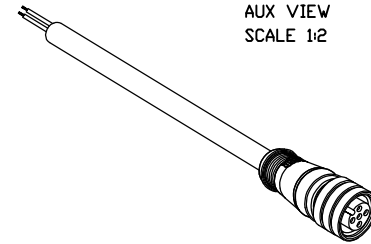


MATERIAL NUMBER	ENGINEERING NUMBER	FINISHED LENGTH
120065-1367	805000K03M020	2.0M +89mm -0 [6.56' +3.5' -0]
120065-1369	805000K03M040	4.0M +165mm -0 [13.12' +6.5' -0]
120065-1370	805000K03M050	5.0M +165mm -0 [16.40' +6.5' -0]
120065-1371	805000K03M060	6.0M +165mm -0 [19.69' +6.5' -0]
120065-1373	805000K03M100	10.0M +318mm -0 [32.81' +12.5' -0]



Color	Wiring Diagram Label
BROWN	1
WHITE	2
BLUE	3
BLACK	4
GRAY	5

WIRING DIAGRAM

- NOTES:
- 1) MATERIALS: SEE TABLE
 - 2) FINISHES: SEE TABLE
 - 3) CABLE: #18/5 ITC/PLTC TPE
 - 4) ELECTRICAL DATA:
MAX. VOLTAGE: 250 VAC/VDC
MAX. CURRENT: 4 AMPS
 - 5) ENVIRONMENTAL:
PROTECTION IP67
TEMPERATURE RANGE: -20°C TO 105°C
 - 6) WRAP LABEL IS MARKED WITH P/N, DATE CODE, VOLTAGE & AMPERAGE.
 - 7) ASSEMBLY IS RoHS COMPLIANT.

ITEM	QTY.	DESCRIPTION	MATERIAL	FINISH
7	1	LABEL	MYLAR	BLACK/YELLOW
6	1	O-RING	VITON	RED
5	1	COUPLER	BRASS	TEFLON/NICKEL
4	5	SOCKET CONTACT	COPPER ALLOY	GOLD OVER NICKEL
3	1	INSERT	PUR	BLACK
2	1	OVERMOLD	TPE	YELLOW
1	1	18/5 CABLE	TPE JACKET	YELLOW

RELEASED DRAWING	EC NO: MEL2010-0054	8/17/09
	DRWN: BWOODMAN	
	CHKD: YOU	2009/07/29
	APPR: JFMURPHY	2009/08/21
REV	DESCRIPTION	
A		

	GENERAL TOLERANCES (UNLESS SPECIFIED)	
	mm	INCH
4 PLACES	±----	±----
3 PLACES	±----	±----
2 PLACES	±----	±.01
1 PLACE	±0.3	±----
ANGULAR ±----°		
DRAFT WHERE APPLICABLE MUST REMAIN WITHIN DIMENSIONS		

DIMENSION STYLE	
IN/MM	
DRAWN BY	DATE
BWOODMAN	2009/08/17
CHECKED BY	DATE
YOU	2009/08/17
APPROVED BY	DATE
---	---
MATERIAL NO.	SEE TABLE
SIZE	A

SCALE	DESIGN UNITS	THIRD ANGLE PROJECTION
1:1	INCH	
TITLE		
MICRO-CHANGE CORDSET 5P FE ST SINGLE KEY #18/5 YELLOW TPE CABLE		
molex MOLEX INCORPORATED		
DOCUMENT NO.	SD-120065-022	SHEET NO. 1 OF 1
THIS DRAWING CONTAINS INFORMATION THAT IS PROPRIETARY TO MOLEX INCORPORATED AND SHOULD NOT BE USED WITHOUT WRITTEN PERMISSION		