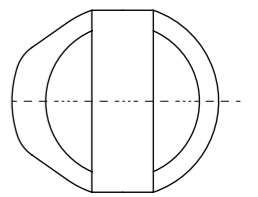
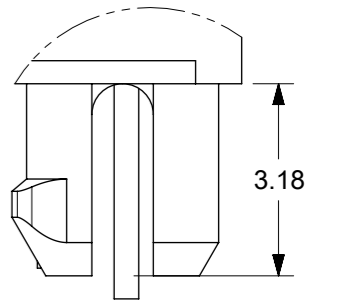
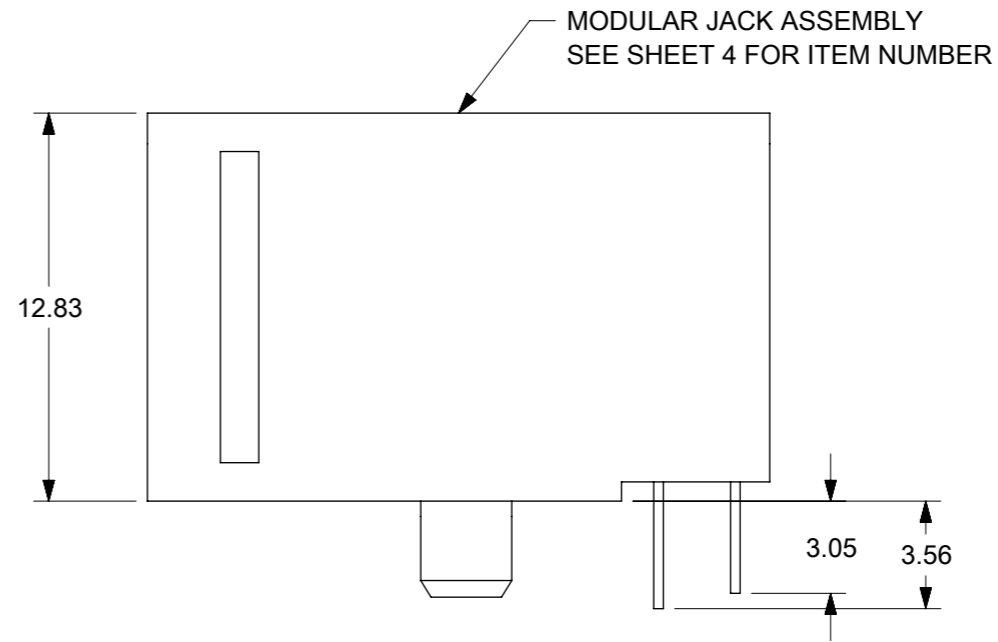
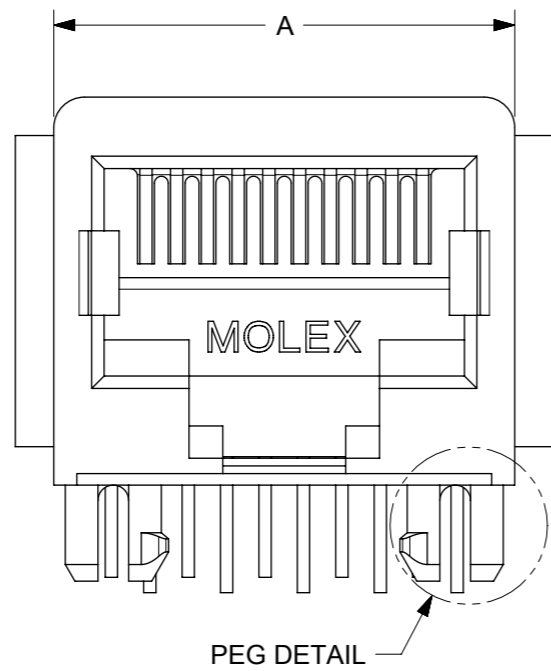


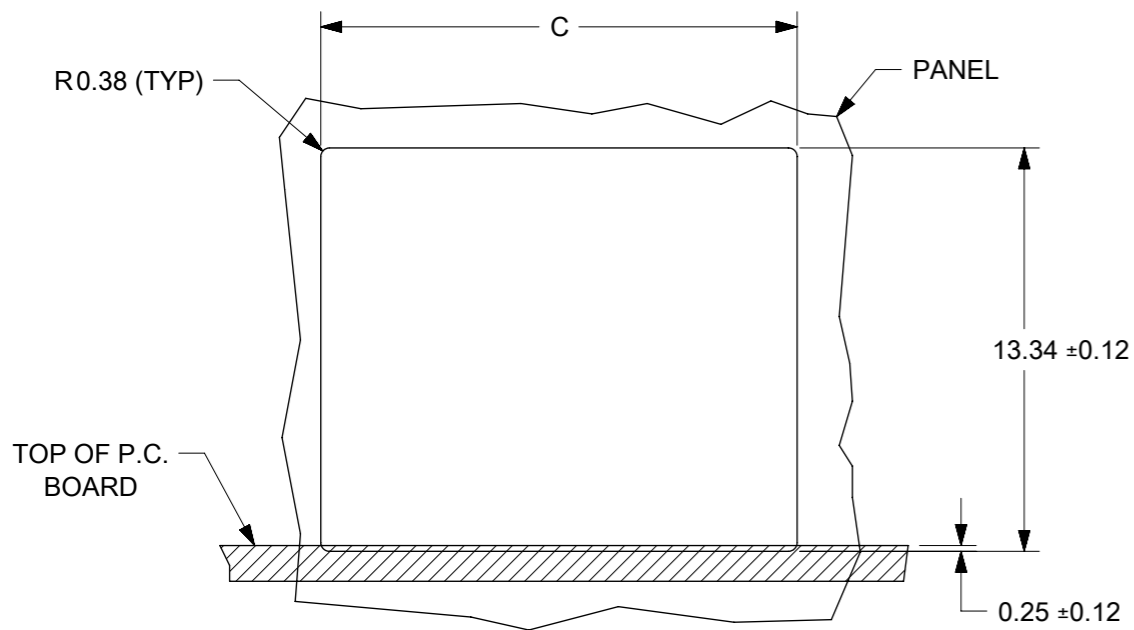


# UNSHIELDED MODULAR JACK

8 POSITION LOADED 10 SIZE SHOWN

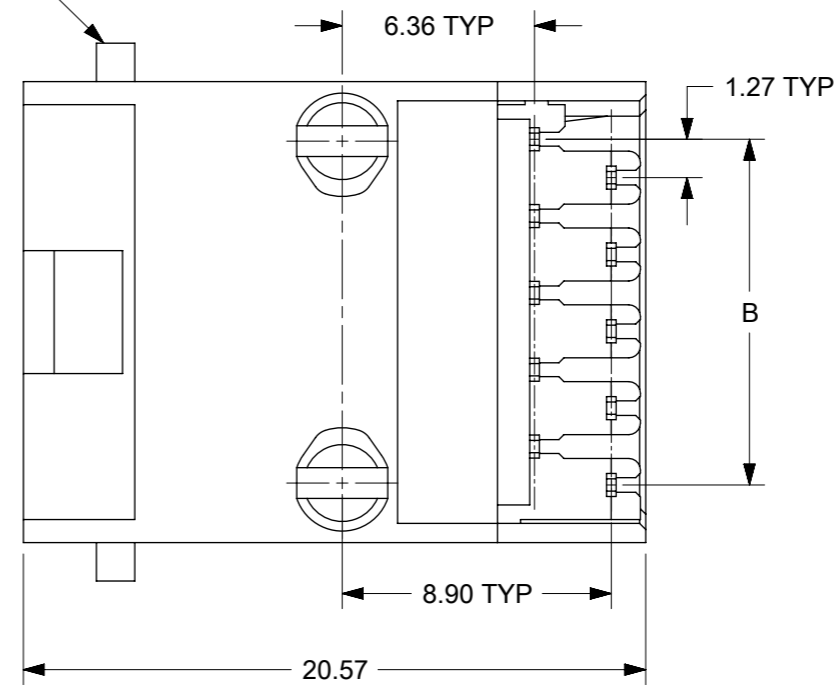


PEG DETAIL  
SCALE 8:1



PANEL CUT-OUT (UNSHIELDED)

OPTIONAL FLANGE  
USED FOR FLUSH  
MODULAR JACK

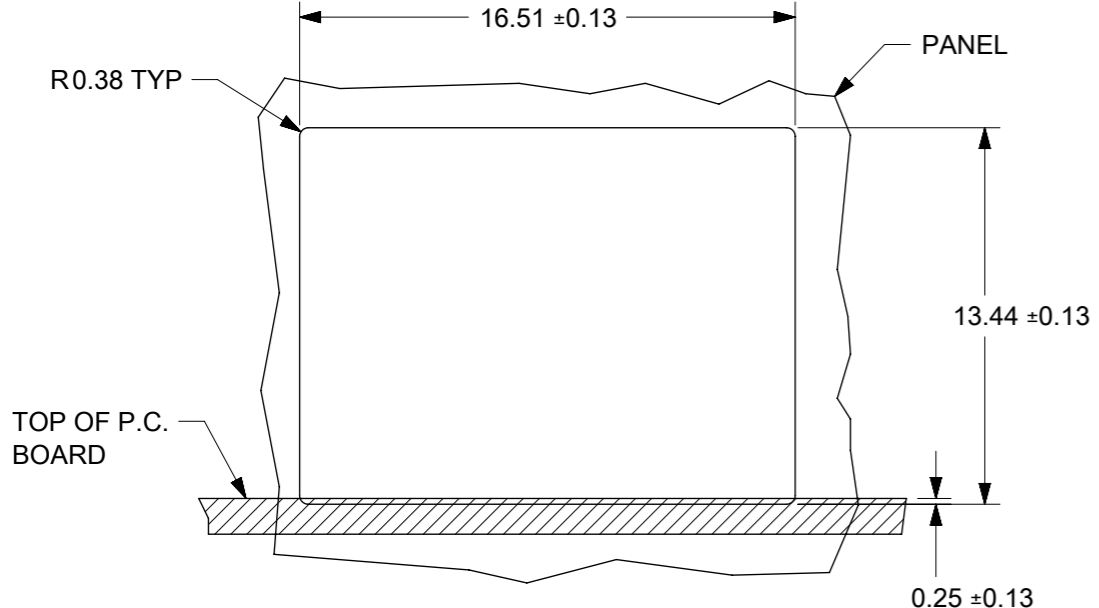
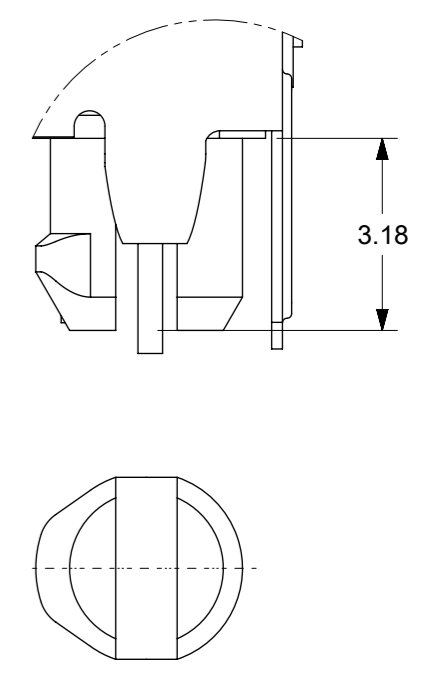
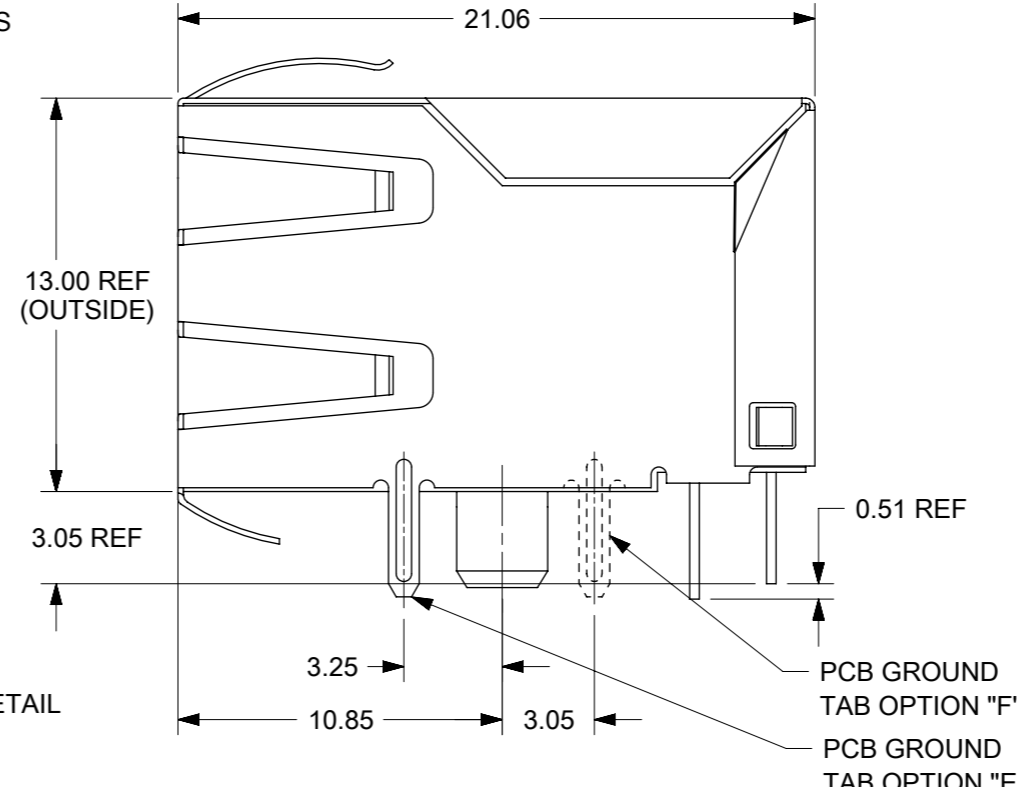
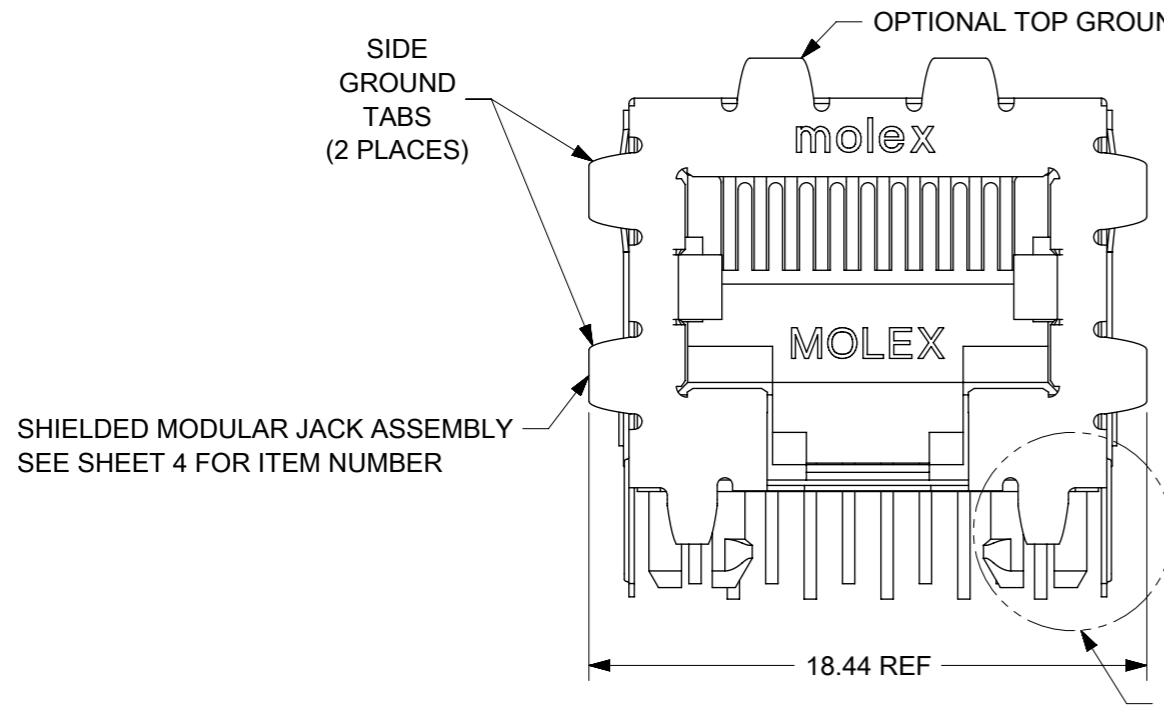


| HOUSING SIZE | CIRCUIT SIZE | DIM. A     | DIM. B     | DIM. C     |
|--------------|--------------|------------|------------|------------|
| 8            | 10           | 15.24±0.13 | 11.43±0.13 | 15.75±0.13 |
| 8            | 8            | 15.24±0.13 | 8.89±0.13  | 15.75±0.13 |
| 8            | 4            | 15.24±0.13 | 3.81±0.13  | 15.75±0.13 |
| 8            | 6            | 15.24±0.13 | 6.35±0.13  | 15.75±0.13 |
| 6            | 6            | 13.21±0.13 | 6.35±0.13  | 13.72±0.13 |
| 6            | 4            | 13.21±0.13 | 3.81±0.13  | 13.72±0.13 |
| 6            | 2            | 13.21±0.13 | 1.27±0.13  | 13.72±0.13 |

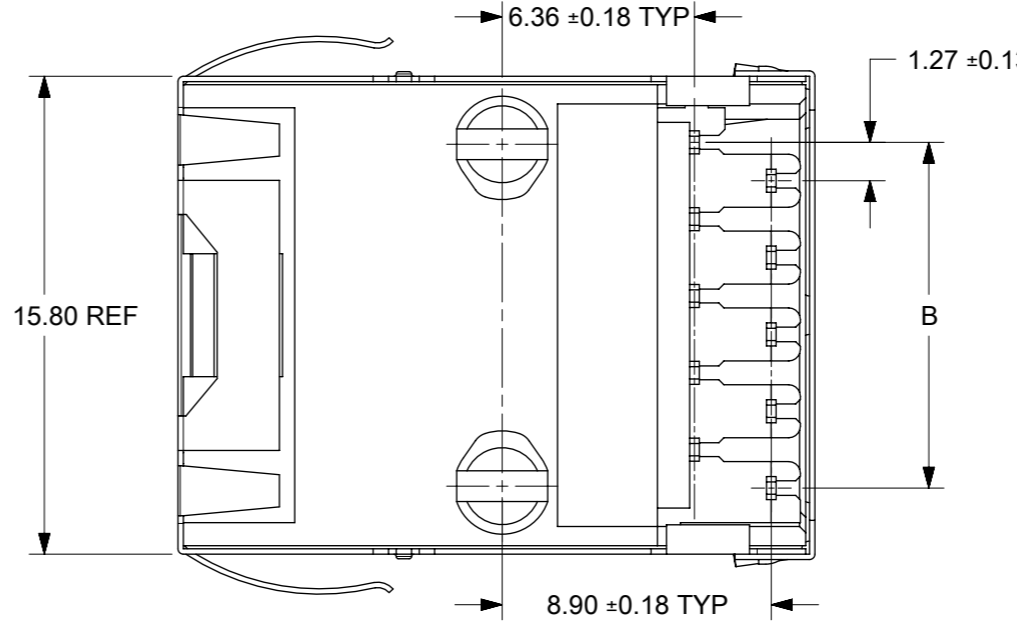
|                    |   |   |                                  |         |   |                 |
|--------------------|---|---|----------------------------------|---------|---|-----------------|
| FUNCTIONAL SYMBOLS | THIS DRAWING CONTAINS INFORMATION THAT IS PROPRIETARY TO MOLEX ELECTRONIC TECHNOLOGIES, LLC AND SHOULD NOT BE USED WITHOUT WRITTEN PERMISSION |   | CURRENT REV DESC: MIGRATED TO NX |         | <b>molex</b>                                  |                 |
|                    | FUNCTIONAL SYMBOLS  | THIS DRAWING CONTAINS INFORMATION THAT IS PROPRIETARY TO MOLEX ELECTRONIC TECHNOLOGIES, LLC AND SHOULD NOT BE USED WITHOUT WRITTEN PERMISSION |                                  |         |   |                 |
| FUNCTIONAL SYMBOLS | THIS DRAWING CONTAINS INFORMATION THAT IS PROPRIETARY TO MOLEX ELECTRONIC TECHNOLOGIES, LLC AND SHOULD NOT BE USED WITHOUT WRITTEN PERMISSION | GENERAL TOLERANCES (UNLESS SPECIFIED)   | EC NO: 705669                    |         | LOW PROFILE RIGHT ANGLE MODULAR JACK ASSEMBLY |                 |
| FUNCTIONAL SYMBOLS | THIS DRAWING CONTAINS INFORMATION THAT IS PROPRIETARY TO MOLEX ELECTRONIC TECHNOLOGIES, LLC AND SHOULD NOT BE USED WITHOUT WRITTEN PERMISSION | ANGULAR TOL ± 0.5°  | DRWN: KKUMARB 2020/07/07         |         | PRODUCT CUSTOMER DRAWING                      |                 |
| FUNCTIONAL SYMBOLS | THIS DRAWING CONTAINS INFORMATION THAT IS PROPRIETARY TO MOLEX ELECTRONIC TECHNOLOGIES, LLC AND SHOULD NOT BE USED WITHOUT WRITTEN PERMISSION | 4 PLACES ±  | CHK'D: KLANG 2022/05/23          |         | DOCUMENT NUMBER                               |                 |
| FUNCTIONAL SYMBOLS | THIS DRAWING CONTAINS INFORMATION THAT IS PROPRIETARY TO MOLEX ELECTRONIC TECHNOLOGIES, LLC AND SHOULD NOT BE USED WITHOUT WRITTEN PERMISSION | 3 PLACES ±  | APPR: KLANG 2022/05/23           |         | DOC TYPE                                      |                 |
| FUNCTIONAL SYMBOLS | THIS DRAWING CONTAINS INFORMATION THAT IS PROPRIETARY TO MOLEX ELECTRONIC TECHNOLOGIES, LLC AND SHOULD NOT BE USED WITHOUT WRITTEN PERMISSION | 2 PLACES ± 0.25   | INITIAL REVISION:                |         | DOC PART                                      |                 |
| FUNCTIONAL SYMBOLS | THIS DRAWING CONTAINS INFORMATION THAT IS PROPRIETARY TO MOLEX ELECTRONIC TECHNOLOGIES, LLC AND SHOULD NOT BE USED WITHOUT WRITTEN PERMISSION | 1 PLACE ±   | DRWN: RFC_PLMIMP 2020/08/19      |         | REVISION                                      |                 |
| FUNCTIONAL SYMBOLS | THIS DRAWING CONTAINS INFORMATION THAT IS PROPRIETARY TO MOLEX ELECTRONIC TECHNOLOGIES, LLC AND SHOULD NOT BE USED WITHOUT WRITTEN PERMISSION | 0 PLACES ±  | APPR: REDGLE 2000/08/11          |         | K3  |                 |
| FUNCTIONAL SYMBOLS | THIS DRAWING CONTAINS INFORMATION THAT IS PROPRIETARY TO MOLEX ELECTRONIC TECHNOLOGIES, LLC AND SHOULD NOT BE USED WITHOUT WRITTEN PERMISSION | DRAFT WHERE APPLICABLE MUST REMAIN WITHIN DIMENSIONS  | THIRD ANGLE PROJECTION           | DRAWING | SERIES  | MATERIAL NUMBER |
| FUNCTIONAL SYMBOLS | THIS DRAWING CONTAINS INFORMATION THAT IS PROPRIETARY TO MOLEX ELECTRONIC TECHNOLOGIES, LLC AND SHOULD NOT BE USED WITHOUT WRITTEN PERMISSION |   |                                  | A3-SIZE | 43249   | SEE SHEET 4     |
| FUNCTIONAL SYMBOLS | THIS DRAWING CONTAINS INFORMATION THAT IS PROPRIETARY TO MOLEX ELECTRONIC TECHNOLOGIES, LLC AND SHOULD NOT BE USED WITHOUT WRITTEN PERMISSION |   |                                  |         |   | CUSTOMER        |
| FUNCTIONAL SYMBOLS | THIS DRAWING CONTAINS INFORMATION THAT IS PROPRIETARY TO MOLEX ELECTRONIC TECHNOLOGIES, LLC AND SHOULD NOT BE USED WITHOUT WRITTEN PERMISSION |   |                                  |         |   | GENERAL MARKET  |
| FUNCTIONAL SYMBOLS | THIS DRAWING CONTAINS INFORMATION THAT IS PROPRIETARY TO MOLEX ELECTRONIC TECHNOLOGIES, LLC AND SHOULD NOT BE USED WITHOUT WRITTEN PERMISSION |   |                                  |         |   | SHEET NUMBER    |
| FUNCTIONAL SYMBOLS | THIS DRAWING CONTAINS INFORMATION THAT IS PROPRIETARY TO MOLEX ELECTRONIC TECHNOLOGIES, LLC AND SHOULD NOT BE USED WITHOUT WRITTEN PERMISSION |   |                                  |         |   | 2 OF 6          |

# MODULAR JACK W/ .007" THICK SHIELD AND OPTIONAL GROUND TABS

8 LOADED 10 VERSION SHOWN WITH GROUND TAB OPTIONS "D" AND "E"



**PANEL CUT-OUT (SHIELDED)**



DESCRIPTION OF GROUND TAB OPTIONS:  
(SEE SHEET 4 FOR AVAILABLE COMBINATIONS OF OPTIONS)

| GROUND TAB OPTION | DESCRIPTION                      |
|-------------------|----------------------------------|
| A                 | NO GROUND TABS                   |
| B                 | TOP TABS ONLY                    |
| C                 | STAGGERED SIDE TABS              |
| D                 | TOP AND SIDE TABS                |
| E                 | PCB GROUND TAB IN FRONT POSITION |
| F                 | PCB GROUND TAB IN REAR POSITION  |

| HOUSING SIZE | CIRCUIT SIZE | B          |
|--------------|--------------|------------|
| 8            | 10           | 11.43±0.13 |
| 8            | 8            | 8.89±0.13  |

|                 |    |              |            |          |
|-----------------|----|--------------|------------|----------|
| DOCUMENT STATUS | P1 | RELEASE DATE | 2022/05/23 | 17:01:26 |
|-----------------|----|--------------|------------|----------|


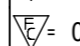
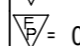

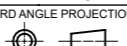
|                    |   |   |  |   |  |
|--------------------|---|---|--|---|--|
| FUNCTIONAL SYMBOLS | THIS DRAWING CONTAINS INFORMATION THAT IS PROPRIETARY TO MOLEX ELECTRONIC TECHNOLOGIES, LLC AND SHOULD NOT BE USED WITHOUT WRITTEN PERMISSION | CURRENT REV DESC: MIGRATED TO NX                              |  |   |  |
|                    | DIMENSION UNITS: <b>mm</b><br>SCALE: <b>4:1</b><br>GENERAL TOLERANCES (UNLESS SPECIFIED):<br>ANGULAR TOL ± 0.5°                               | EC NO: 705669<br>DRWN: KKUMARB<br>CHK'D: KLANG<br>APPR: KLANG | 2020/07/07<br>2022/05/23<br>2022/05/23 |   |  |
| DIVISIONAL SYMBOLS | 4 PLACES ±<br>3 PLACES ±<br>2 PLACES ± 0.25<br>1 PLACE ±<br>0 PLACES ±  | INITIAL REVISION:<br>DRWN: RFC_PLMIMP<br>APPR: REDGLELY       | 2020/08/19<br>2000/08/11               | DOCUMENT NUMBER: <b>SDA-43249</b><br>DOC TYPE: PSD<br>DOC PART: 001<br>REVISION: K3 | PRODUCT CUSTOMER DRAWING<br>SHEET NUMBER: 3 OF 6 |
|                    | DRAFT WHERE APPLICABLE MUST REMAIN WITHIN DIMENSIONS  | THIRD ANGLE PROJECTION  | DRAWING: A3-SIZE<br>SERIES: 43249      | MATERIAL NUMBER: SEE SHEET 4<br>CUSTOMER: GENERAL MARKET                            |  |

| FLUSH MOUNT (UNSHIELDED) |                      |                |                    |                         |
|--------------------------|----------------------|----------------|--------------------|-------------------------|
| "X"=NOT TOOLED           | ASSEMBLY ITEM NUMBER | CONNECTOR SIZE | NUMBER OF CIRCUITS | TERMINAL PLATING OPTION |
| X                        | 43249-8001           | 8              | 10                 | A                       |
|                          | 43249-8004           | 8              | 8                  | A                       |
| X                        | 43249-8010           | 8              | 6                  | A                       |
|                          | 43249-6001           | 6              | 6                  | A                       |
| X                        | 43249-6004           | 6              | 4                  | A                       |
| X                        | 43249-6007           | 6              | 2                  | A                       |

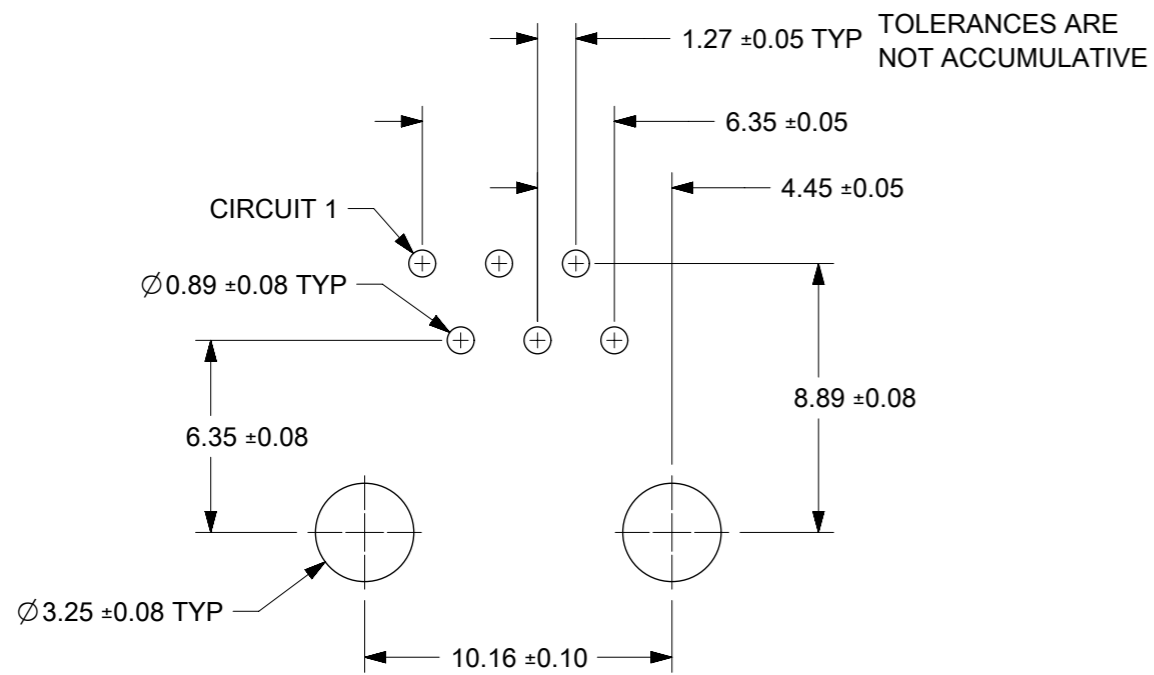
| FLANGELESS (UNSHIELDED) |                      |                |                    |                         |
|-------------------------|----------------------|----------------|--------------------|-------------------------|
| "X"=NOT TOOLED          | ASSEMBLY ITEM NUMBER | CONNECTOR SIZE | NUMBER OF CIRCUITS | TERMINAL PLATING OPTION |
| X                       | 43249-8101           | 8              | 10                 | A                       |
| X                       | 43249-8102           | 8              | 10                 | B                       |
|                         | 43249-8104           | 8              | 8                  | A                       |
| X                       | 43249-8105           | 8              | 8                  | B                       |
| X                       | 43249-8116           | 8              | 6                  | A                       |
| X                       | 43249-8119           | 8              | 4                  | A                       |
|                         | 43249-6101           | 6              | 6                  | A                       |
|                         | 43249-6104           | 6              | 4                  | A                       |
| X                       | 43249-6107           | 6              | 2                  | A                       |

| FLANGELESS (UNSHIELDED)<br>(SHIPPED IN TUBES) |                      |                |                    |                         |
|---|----------------------|----------------|--------------------|-------------------------|
| "X"=NOT TOOLED                                | ASSEMBLY ITEM NUMBER | CONNECTOR SIZE | NUMBER OF CIRCUITS | TERMINAL PLATING OPTION |
| X   | 43249-6501           | 6              | 6                  | A                       |
| X   | 43249-6504           | 6              | 4                  | A                       |

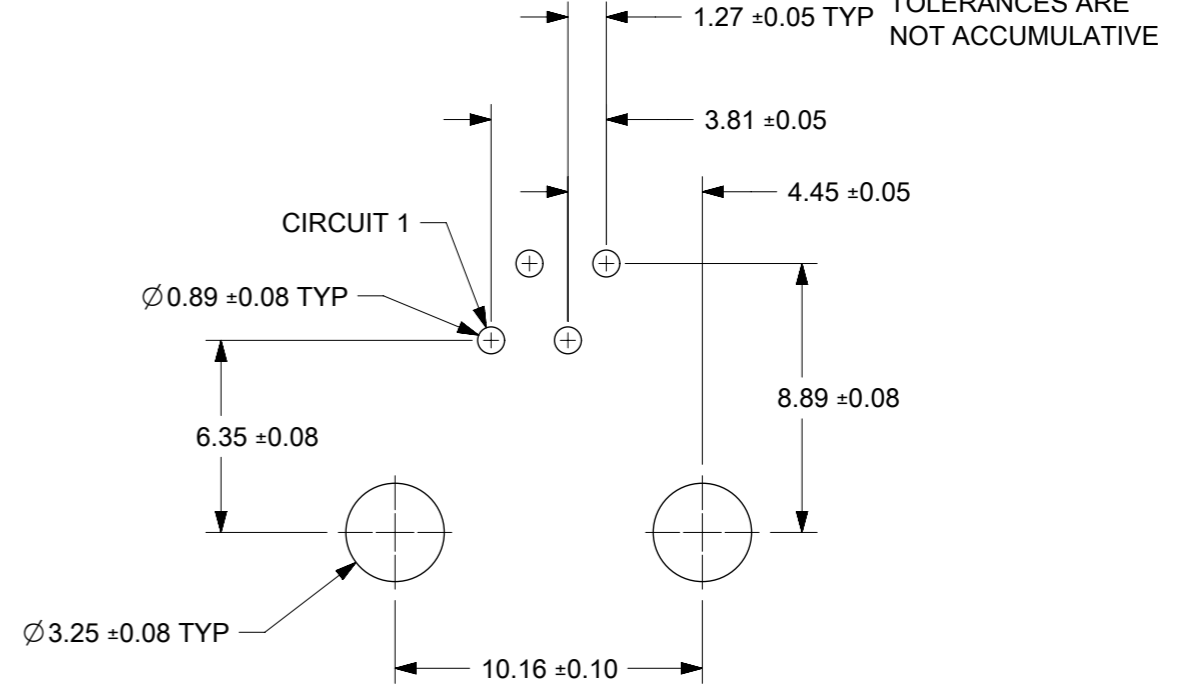
| SHIELDED, 0.18mm THICK |                      |                |                    |                         |                                  |                       |                  |
|------------------------|----------------------|----------------|--------------------|-------------------------|----------------------------------|-----------------------|------------------|
| "X"=NOT TOOLED         | ASSEMBLY ITEM NUMBER | CONNECTOR SIZE | NUMBER OF CIRCUITS | TERMINAL PLATING OPTION | SIDE/TOP PANEL GROUND TAB OPTION | PCB GROUND TAB OPTION | PACKAGING OPTION |
|                        | 43249-8900           | 8              | 10                 | A                       | A                                | E                     | TRAY             |
| X                      | 43249-8901           | 8              | 10                 | A                       | B                                | E                     | TRAY             |
| X                      | 43249-8902           | 8              | 10                 | A                       | C                                | E                     | TRAY             |
| X                      | 43249-8903           | 8              | 10                 | A                       | D                                | E                     | TRAY             |
|                        | 43249-8908           | 8              | 10                 | A                       | A                                | F                     | TRAY             |
|                        | 43249-8909           | 8              | 10                 | A                       | B                                | F                     | TRAY             |
| X                      | 43249-8910           | 8              | 10                 | A                       | C                                | F                     | TRAY             |
|                        | 43249-8911           | 8              | 10                 | A                       | D                                | F                     | TRAY             |
|                        | 43249-8916           | 8              | 8                  | A                       | A                                | E                     | TRAY             |
|                        | 43249-8917           | 8              | 8                  | A                       | B                                | E                     | TRAY             |
| X                      | 43249-8918           | 8              | 8                  | A                       | C                                | E                     | TRAY             |
|                        | 43249-8919           | 8              | 8                  | A                       | D                                | E                     | TRAY             |
| X                      | 43249-8920           | 8              | 8                  | B                       | A                                | E                     | TRAY             |
|                        | 43249-8924           | 8              | 8                  | A                       | A                                | F                     | TRAY             |
| X                      | 43249-8925           | 8              | 8                  | A                       | B                                | F                     | TRAY             |
| X                      | 43249-8926           | 8              | 8                  | A                       | C                                | F                     | TRAY             |
|                        | 43249-8927           | 8              | 8                  | A                       | D                                | F                     | TRAY             |

|   |   |   |  |
|---|---|---|--|
| <b>FUNCTIONAL SYMBOLS</b><br> = 0<br> = 0<br> = 0<br><b>DIVISIONAL SYMBOLS</b> | THIS DRAWING CONTAINS INFORMATION THAT IS PROPRIETARY TO MOLEX ELECTRONIC TECHNOLOGIES, LLC AND SHOULD NOT BE USED WITHOUT WRITTEN PERMISSION<br>DIMENSION UNITS: <b>mm</b><br>SCALE: <b>1:1</b><br>CURRENT REV DESC: MIGRATED TO NX<br>GENERAL TOLERANCES (UNLESS SPECIFIED)<br>ANGULAR TOL ± 0.5°<br>4 PLACES ±<br>3 PLACES ±<br>2 PLACES ± 0.25<br>1 PLACE ±<br>0 PLACES ±<br>DRAFT WHERE APPLICABLE MUST REMAIN WITHIN DIMENSIONS | EC NO: 705669<br>DRWN: KKUMARB 2020/07/07<br>CHK'D: KLANG 2022/05/23<br>APPR: KLANG 2022/05/23<br>INITIAL REVISION:<br>DRWN: RFC_PLMIMP 2020/08/19<br>APPR: REDGLELY 2000/08/11 | <br>LOW PROFILE RIGHT ANGLE MODULAR JACK ASSEMBLY<br>PRODUCT CUSTOMER DRAWING |
|   | DOCUMENT NUMBER: <b>SDA-43249</b><br>DOC TYPE: PSD   DOC PART: 001   REVISION: K3   |   | MATERIAL NUMBER: SEE CHART<br>CUSTOMER: GENERAL MARKET<br>SHEET NUMBER: 4 OF 6   |
|   | THIRD ANGLE PROJECTION:    |   | DRAWING: <b>A3-SIZE</b><br>SERIES: <b>43249</b>  |
|   | MUST REMAIN WITHIN DIMENSIONS   |   |  |

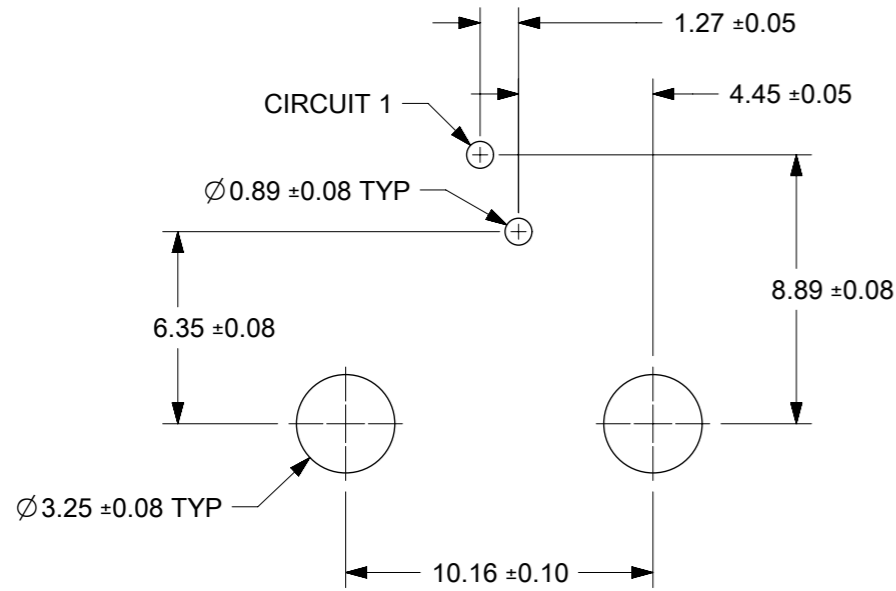




**PC BOARD LAYOUT FOR SIZE 6, 6 CIRCUIT**  
(COMPONENT SIDE OF BOARD)



**PC BOARD LAYOUT FOR SIZE 6, 4 CIRCUIT**  
(COMPONENT SIDE OF BOARD)



**PC BOARD LAYOUT FOR SIZE 6, 2 CIRCUIT**  
(COMPONENT SIDE OF BOARD)

NOTES:  
1. RECOMMENDED PCB THICKNESS: 1.57±0.13 mm.

|  |   |                        |   |        |                |   |  |  |
|--|---|------------------------|---|--------|----------------|---|--|--|
| FUNCTIONAL SYMBOLS                                   | THIS DRAWING CONTAINS INFORMATION THAT IS PROPRIETARY TO MOLEX ELECTRONIC TECHNOLOGIES, LLC AND SHOULD NOT BE USED WITHOUT WRITTEN PERMISSION |                        | CURRENT REV DESC: MIGRATED TO NX  |        |                | <b>molex</b>                                  |  |  |
|  | △/A = 0   | mm                     |   |        |                |   |  |  |
| DIVISIONAL SYMBOLS                                   | GENERAL TOLERANCES (UNLESS SPECIFIED)   |                        | EC NO: 705669<br>DRWN: KKUMARB 2020/07/07<br>CHK'D: KLANG 2022/05/23<br>APPR: KLANG 2022/05/23<br>INITIAL REVISION:<br>DRWN: RFC_PLMIMP 2020/08/19<br>APPR: REDGLEYP 2000/08/11 |        |                | LOW PROFILE RIGHT ANGLE MODULAR JACK ASSEMBLY |  |  |
|  | △/E = 0   | ANGULAR TOL ± 0.5°     |   |        |                | PRODUCT CUSTOMER DRAWING                      |  |  |
|  | △/F = 0   | 4 PLACES ±             |   |        |                | DOCUMENT NUMBER                               |  |  |
|  |   | 3 PLACES ±             |   |        |                | SDA-43249                                     |  |  |
|  |   | 2 PLACES ± 0.25        |   |        |                | DOC TYPE DOC PART REVISION                    |  |  |
|  | 1 PLACE ±   | PSD 001 K3             |   |        |                |   |  |  |
|  | 0 PLACES ±  | MATERIAL NUMBER        |   |        |                |   |  |  |
| DRAFT WHERE APPLICABLE MUST REMAIN WITHIN DIMENSIONS |   | THIRD ANGLE PROJECTION | DRAWING   | SERIES | CUSTOMER       | SHEET NUMBER                                  |  |  |
|  |   |                        | A3-SIZE   | 43249  | GENERAL MARKET | 6 OF 6  |  |  |