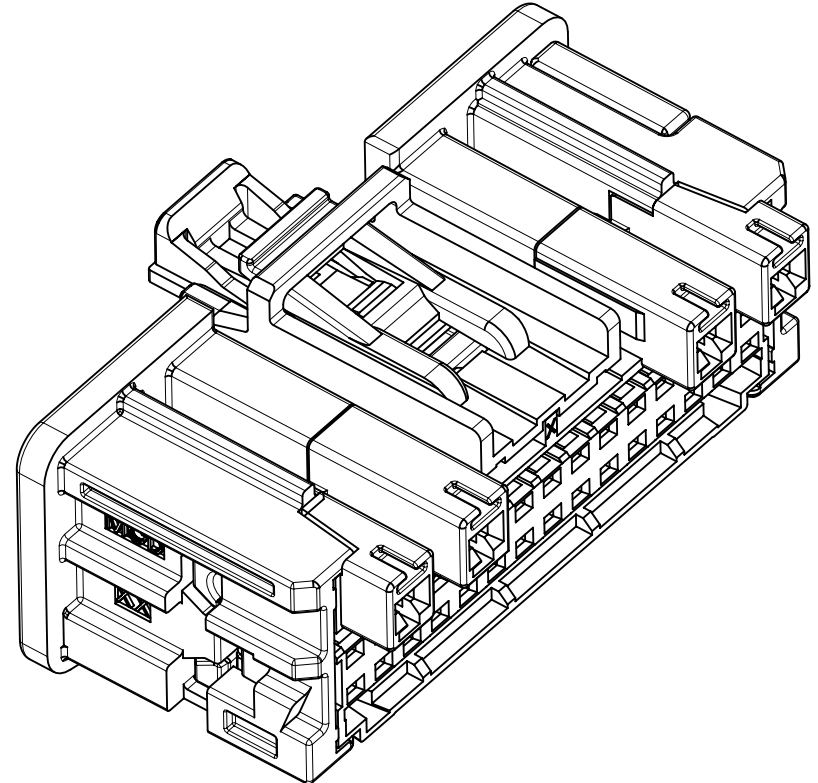
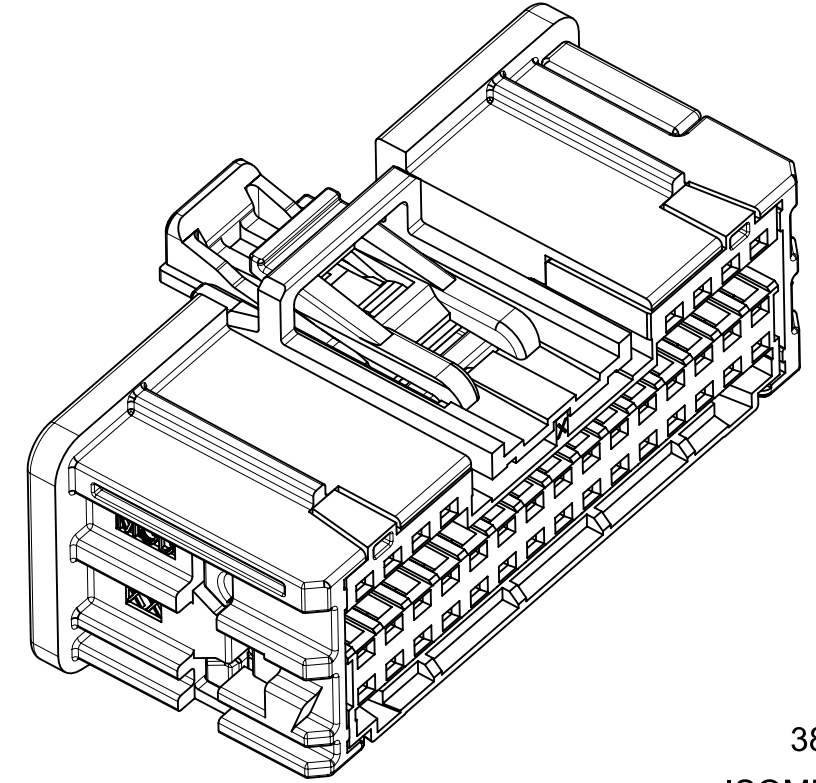
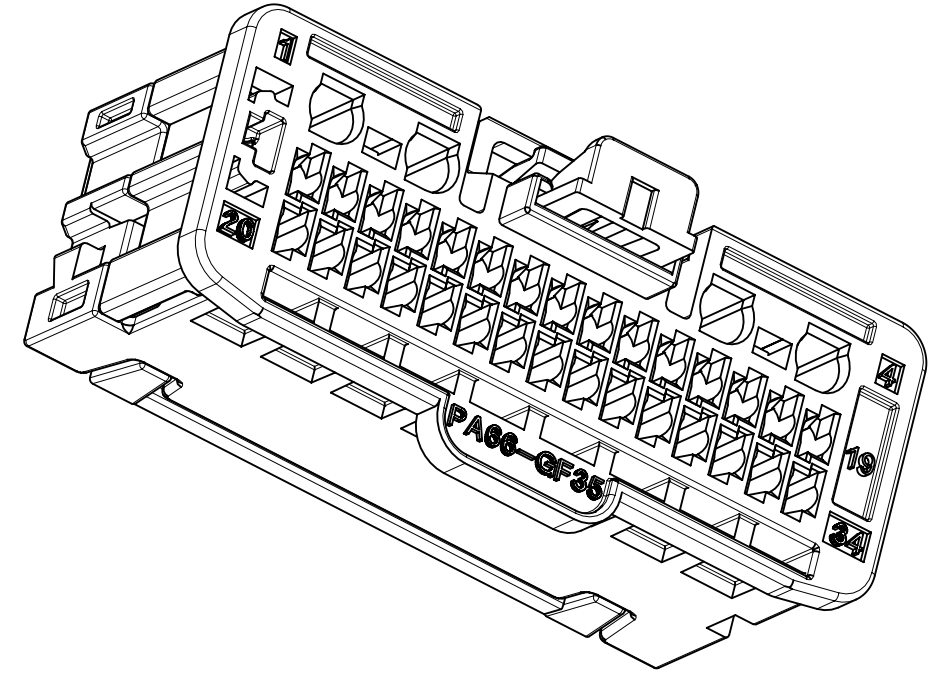


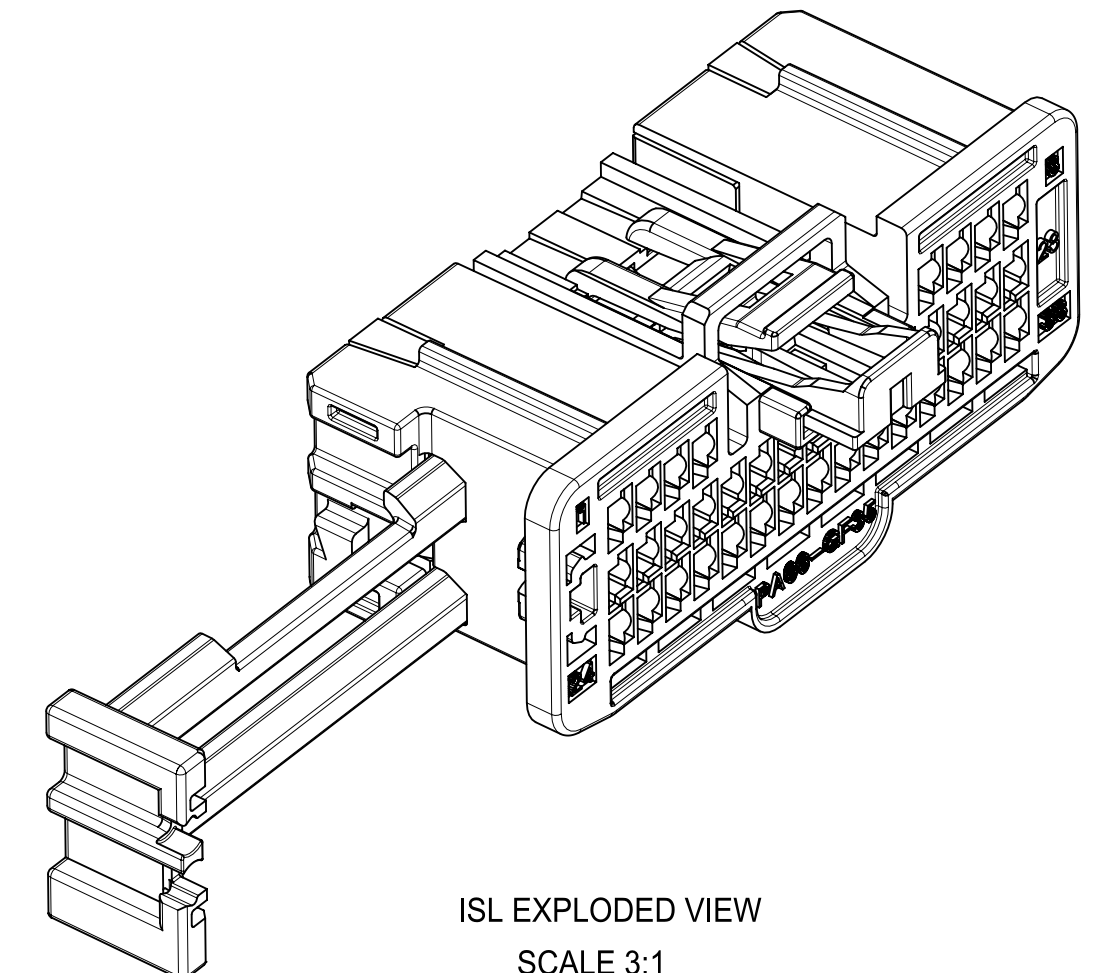
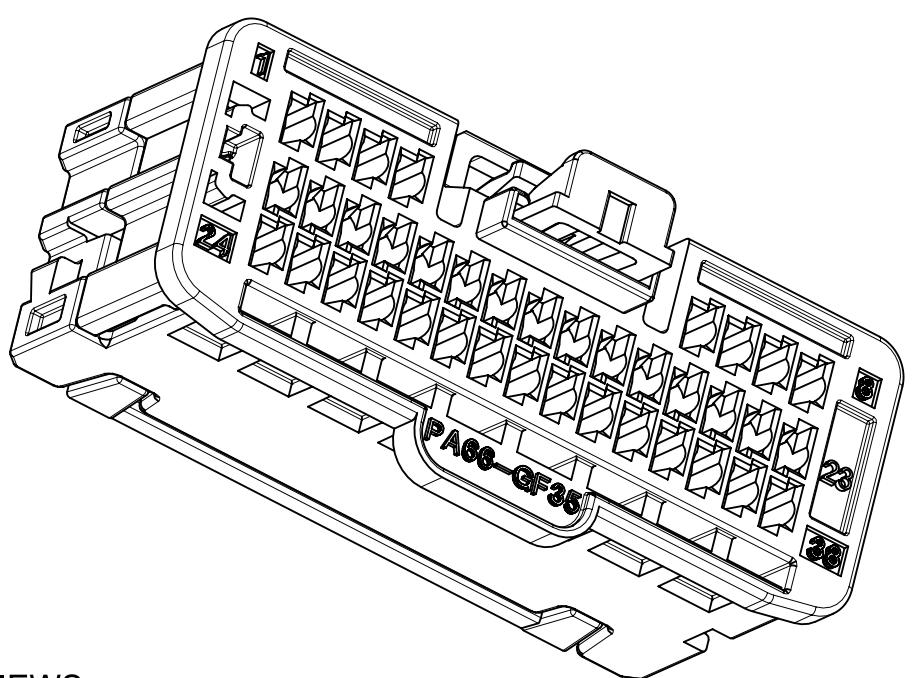
TABLE OF CONTENTS	
SHEET NO.	SHEET DESCRIPTION
1	NOTES, INSPECTION BALLOON NUMBER LOG, NOMINAL DIMENSION RANGE LIST, REV.COLUMN, RECEPCTCLE ASSEMBLY LIST, ISOMETRIC VIEW,ISL EXPLODED VIEW, CTX50 TERMINAL LIST,TYCO MCON LIST
2	34&38WAY POLARIZATION OPTION VIEW,
3	POL A&B&C DIFFERENCE WITH UPDATED POL A&B&C VIEW, HB / V0 VERSION DIFFERENCE
4	DETAIL DIMENSION VIEW



34WAY  
ISOMETRIC VIEWS  
SCALE 3:1



38WAY  
ISOMETRIC VIEWS  
SCALE 3:1



ISL EXPLODED VIEW  
SCALE 3:1

NOTES: VALID UNLESS OTHERWISE SPECIFIED

- GENERAL:
  - APPLICATION SPECIFICATION SEE: AS-34959-001
  - HB PRODUCT SPECIFICATION SEE: PS-34959-001
  - V0 PRODUCT SPECIFICATION SEE: 2133550000-PS
- DESIGN - MATERIALS:
  - PLASTIC HSG :
    - HB RESIN : PA66 GF35
    - V0 RESIN: PA66 GF30
  - ISL:
    - HB RESIN : PA66 GF50
    - V0 RESIN: PA66 GF30
  - CPA RESIN: PA66 GF50
- DESIGN - GEOMETRY:
  - ALL GRAPHIC DATA IS BASIC (NO TOLERANCE) AND MUST BE TAKEN FROM THE DATA FILE AT ITS LATEST REVISION.
  - PRODUCT DESIGN MODEL NUMBER(S): SEE BOM TABLE ON SHEET 2
  - GEOMETRIC DIMENSIONS AND TOLERANCES PER ASME Y14.5X-2009
  - EDGES AND UNDIMENSIONED DETAILS PER ISO13715
  - CORNERS SHOWN AS SHARP TO BE R 0.2 MAX.
  - LETTERING SHALL BE 0.15 MAX RAISED IN 0.25 MAX RECESS PAD. THIS INCLUDES RECYCLING CODE, CAVITY ID, VENDOR IDENTIFICATION, AND CUSTOMER MATERIAL NUMBER.
- DESIGN - MANUFACTURING:
  - VISUAL DEFECTS SHALL MEET COSMETIC STANDARD PS-45499-002 (Class B)
- ISL IS SHIPPED IN SEATED POSITION AND MUST BE REMOVED PRIOR TO TERMINAL INSTALLATION
- RECYCLE CODE:
  - HB RESIN: PA66-GF35
  - V0 RESIN: PA66-GF30

MINI50 34&38 WAY RECEPTACLE ASSEMBLY LIST

MOLEX ASSEMBLY PART NO.'S	ASSEMBLY STATUS	FLAMMABILITY UL94	CIRCUIT	POL	COLOR	MATING COMPONENT		STATUS
						VERTICAL HEADER	RIGHT ANGLE HEADER	
34959-0340	WITH CPA	HB	34	A	BLACK	34958-0340	34961-0343 (E1)	SALEABLE
34959-0341	WITH CPA	HB	34	B	GRAY	34958-0341	34961-0344 (E1)	SALEABLE
34959-0342	WITH CPA	HB	34	C	DARK GRAY	34958-0342	34961-0345 (E1)	SALEABLE
34959-0380	WITH CPA	HB	38	A	BLACK	34958-0380	34961-0380	OBSOLETE
34959-0381	WITH CPA	HB	38	B	GRAY	34958-0381	34961-0381	OBSOLETE
34959-0382	WITH CPA	HB	38	C	DARK GRAY	34958-0382	34961-0382	OBSOLETE
34959-0383	WITH CPA	HB	38	UPDATED A	BLACK	34958-0383	34961-0386 (E1)	SALEABLE
34959-0384	WITH CPA	HB	38	UPDATED B	GRAY	34958-0384	34961-0387 (E1)	SALEABLE
34959-0385	WITH CPA	HB	38	UPDATED C	DARK GRAY	34958-0385	34961-0388 (E1)	SALEABLE
34959-0347	\	HB	34	A	BLACK	34958-0340	34961-0343 (E1)	SALEABLE
34959-0348	\	HB	34	B	GRAY	34958-0341	34961-0344 (E1)	SALEABLE
34959-0349	\	HB	34	C	DARK GRAY	34958-0342	34961-0345 (E1)	SALEABLE
34959-0387	\	HB	38	A	BLACK	34958-0380	34961-0380	OBSOLETE
34959-0388	\	HB	38	B	GRAY	34958-0381	34961-0381	OBSOLETE
34959-0389	\	HB	38	C	DARK GRAY	34958-0382	34961-0382	OBSOLETE
34959-0390	\	HB	38	UPDATED A	BLACK	34958-0383	34961-0386 (E1)	SALEABLE
34959-0391	\	HB	38	UPDATED B	GRAY	34958-0384	34961-0387 (E1)	SALEABLE
34959-0392	\	HB	38	UPDATED C	DARK GRAY	34958-0385	34961-0388 (E1)	SALEABLE
2133560340	WITH CPA	V0	34	A	BLACK	2133820340	2133550340	SALEABLE
2133560341	WITH CPA	V0	34	B	GRAY	2133820341	2133550341	SALEABLE
2133560342	WITH CPA	V0	34	C	DARK GRAY	2133820342	2133550342	SALEABLE
2133560343	\	V0	34	A	BLACK	2133820340	2133550340	SALEABLE
2133560344	\	V0	34	B	GRAY	2133820341	2133550341	SALEABLE
2133560345	\	V0	34	C	DARK GRAY	2133820342	2133550342	SALEABLE
2133560380	WITH CPA	V0	38	UPDATED A	BLACK	2133820380	2133550380	SALEABLE
2133560381	WITH CPA	V0	38	UPDATED B	GRAY	2133820381	2133550381	SALEABLE
2133560382	WITH CPA	V0	38	UPDATED C	DARK GRAY	2133820382	2133550382	SALEABLE
2133560383	\	V0	38	UPDATED A	BLACK	2133820380	2133550380	SALEABLE
2133560384	\	V0	38	UPDATED B	GRAY	2133820381	2133550381	SALEABLE
2133560385	\	V0	38	UPDATED C	DARK GRAY	2133820382	2133550382	SALEABLE

CTX50 UNSEALED RECEPTACLE TERMINALS

PART NUMBER		MATERIAL	WIRE GAGE (mm <sup>2</sup> )	GRIP
D-WIND (LEFT PAYOFF)	B-WIND (RIGHT PAYOFF)			
5600230448	5600230450	COPPER ALLOY	0.35	LARGE
5600230421	5600230423	COPPER ALLOY	0.22	MEDIUM
5600230444	5600230445	COPPER ALLOY	0.13	SMALL

TYCO MCON UNSEALED RECEPTACLE TERMINALS

PART NUMBER	MATERIAL	WIRE GAGE (mm <sup>2</sup> )	GRIP
7-1452659	COPPER ALLOY	1.00 mm <sup>2</sup> or 18 AWG	LARGE
7-1452656	COPPER ALLOY	0.50 - 0.75 mm <sup>2</sup> or 20 AWG	MEDIUM
7-1452653	COPPER ALLOY	0.35 mm <sup>2</sup> or 22 AWG	SMALL

REV	REV DESCRIPTION	ECN SAP NO.
E1	1. UPDATED MINI50 34&38WAY RECEPTACLE ASSEMBLY LIST RIGHT ANGLE HEADER P/N IN SHEET 1.	CO-000001122
E	1. UPDATED MINI50 34&38WAY RECEPTACLE ASSEMBLY LIST IN SHEET 1. 2. ADDED V0 PRODUCT SPECIFICATION, MATERIALS INFORMATION AND RECYCLE CODE IN NOTE. 3. ADDED SHEET 2 TO SHOW 34&38WAY POLARIZATION OPTION. 4. ADDED SHEET 3 TO SHOW POLA & B & C DIFFERENCE WITH UPDATED POL A & B & C VIEW, AND HB / V0 VERSION DIFFERENCE. 5. UPDATED CTX50 SMALL GRIP TERMINAL INFORMATION IN SHEET 1.	632993
D1	1. UPDATED POLARIZATION FEATURE FOR 34959-038X ( X=3,4,5 ) AND 34959-039X(X=0,1,2) 2. ADDED CIRCUIT NUMBER FOR MIDDLE ROW ON SHEET 3. 3. ADDED DIM 1A.	607356
D	ADDED NEW VIEW OF UPDATED POL A & B & C,SEE SHEET 1. ADDED NEW P/N: 34959-0383 \ 34959-0384 \ 34959-0385 34959-0390\34959-0391\34959-0392 IN THE BOM ON SHEET 2. ADDED PRODUCT STATUS IN THE BOM ON SHEET 2. POL A&B&C DIFFERENCE WITH UPDATED POL A&B&C: ONLY REMOVED THE RIB FEATURE BESIDES LOCK LATCH ,SEE SHEET 4.	10877382

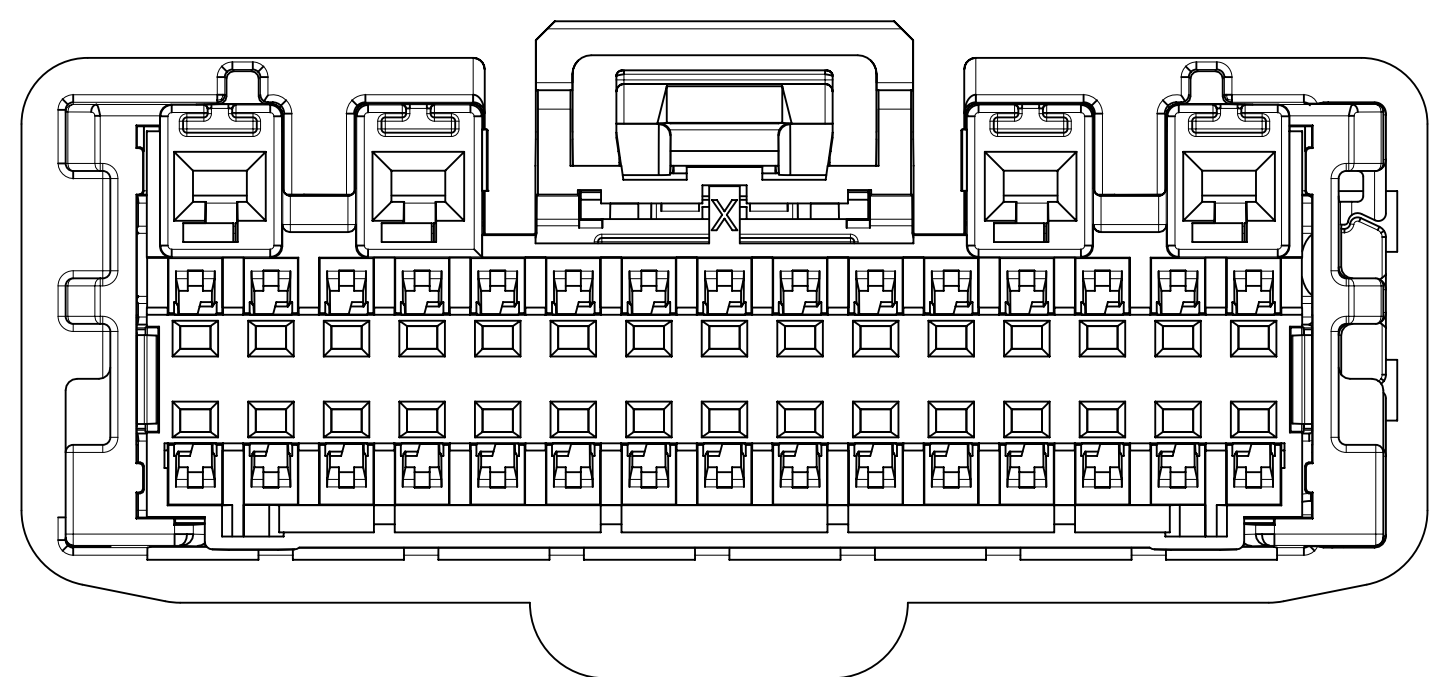
DIN 16901	CODE LETTER	NOMINAL DIMENSION RANGE													
		OVER UP TO	0	1	3	6	10	15	22	30	40	53	70	90	120
PRECISION ENGINEERING	A		±0.10	±0.12	±0.14	±0.16	±0.20	±0.22	±0.24	±0.26	±0.28	±0.31	±0.35	±0.40	±0.50
	B		±0.05	±0.06	±0.07	±0.08	±0.10	±0.12	±0.14	±0.16	±0.18	±0.21	±0.25	±0.30	±0.40

A: FOR NON-MOLD RELATED DIMENSIONS (ACROSS PARTING LINE)  
B: FOR MOLD RELATED DIMENSIONS (WITHIN MOLD COMPONENTS)

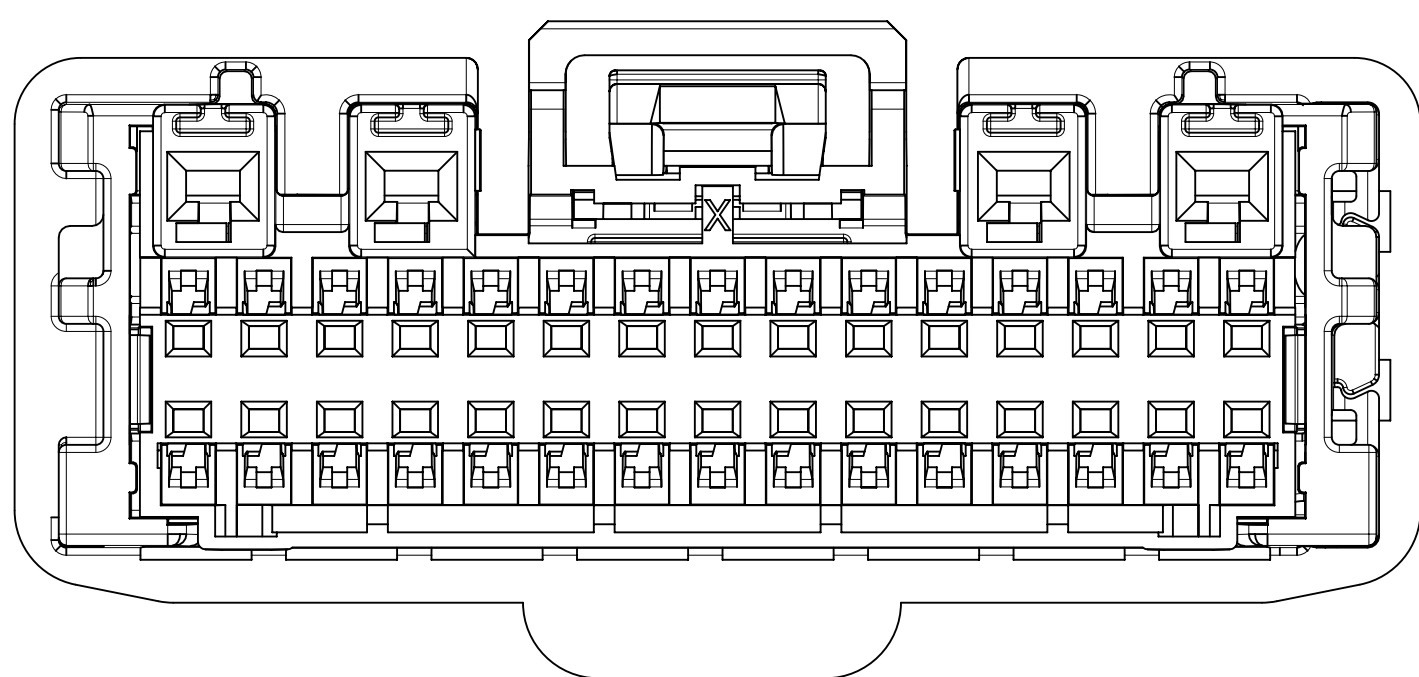
INSPECTION BALLOON NUMBER LOG	
PER DRAWING REVISION:	E1
LAST BALLOON NUMBER USED:	4
ADDED BALLOON NUMBERS:	
REMOVED BALLOON NUMBERS:	

FUNCTIONAL SYMBOLS	THIS DRAWING CONTAINS INFORMATION THAT IS PROPRIETARY TO MOLEX ELECTRONIC TECHNOLOGIES, LLC AND SHOULD NOT BE USED WITHOUT WRITTEN PERMISSION		CURRENT REV DESC: OBSOLETE PART NUMBER	
FA = 0	mm	SCALE	5:1	
FE = 0	GENERAL TOLERANCES (UNLESS SPECIFIED)			
FP = 0	ANGULAR TOL ± 1.0°			
DIVISIONAL SYMBOLS	4 PLACES	±	PHASE: Design Production	
	3 PLACES	±	CO NO: CO-000001122	
	2 PLACES	±	DRWN: Gang Li 2022-09-06	
	1 PLACE	±	CHK'D: Shanks Wu 2022-10-07	
	0 PLACES	±	APPR: Colin Zhang 2022-10-10	
DRAFT WHERE APPLICABLE MUST REMAIN WITHIN DIMENSIONS		THIRD ANGLE PROJECTION	DRAWING	SERIES
			D-SIZE	34959
		MATERIAL NUMBER		CUSTOMER
		SD-34959-030		GENERAL MARKET
		DOC TYPE DOC PART		REVISION
		PSD 001		E1
		SHEET NUMBER		
		1 OF 4		

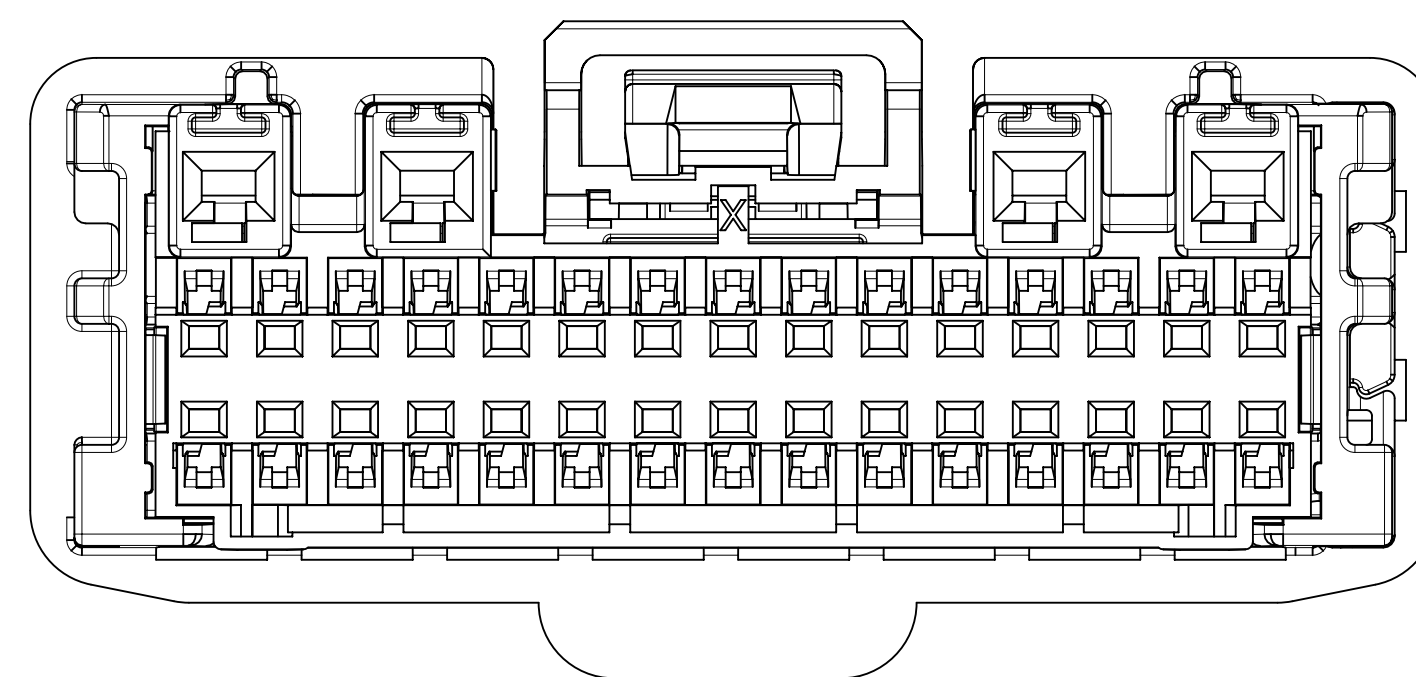
TABLE OF CONTENTS	
SHEET NO.	SHEET DESCRIPTION
2	34&38WAY POLARIZATION OPTION VIEW,



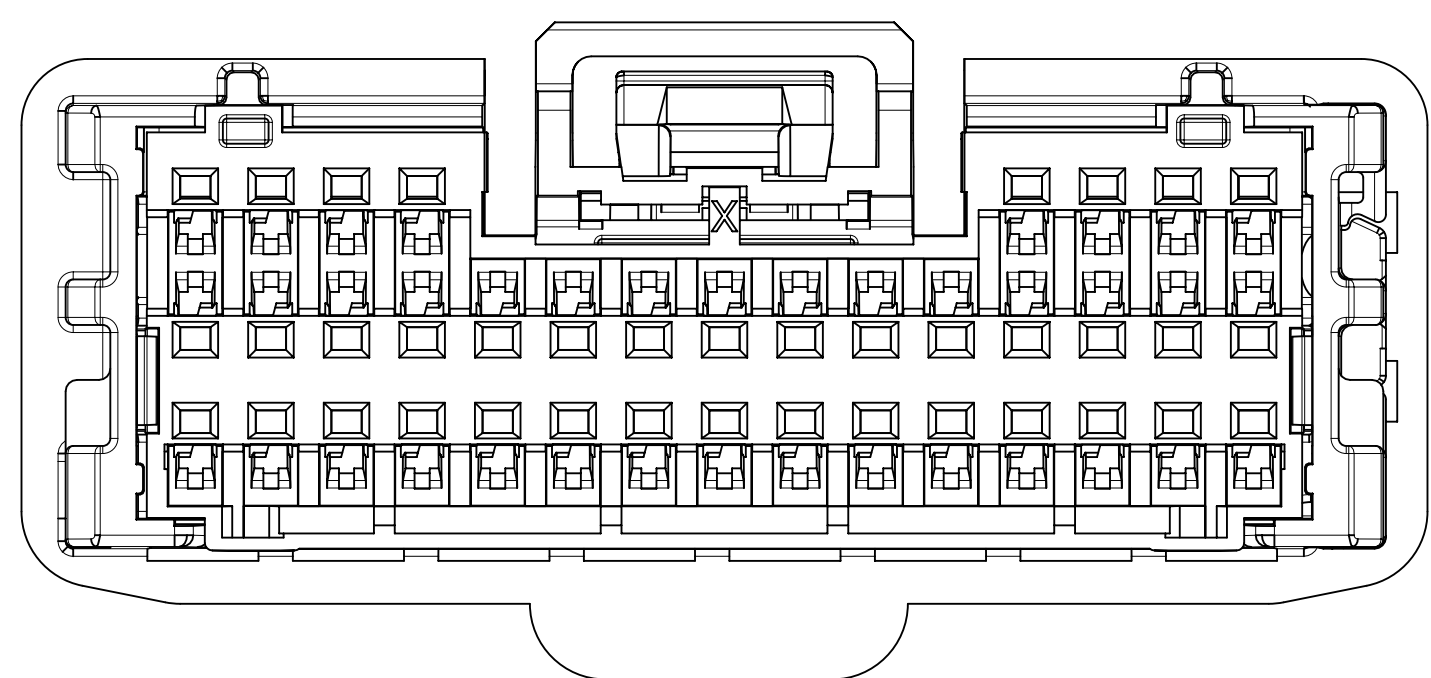
34 WAY POLARIZATION OPTION 'A'



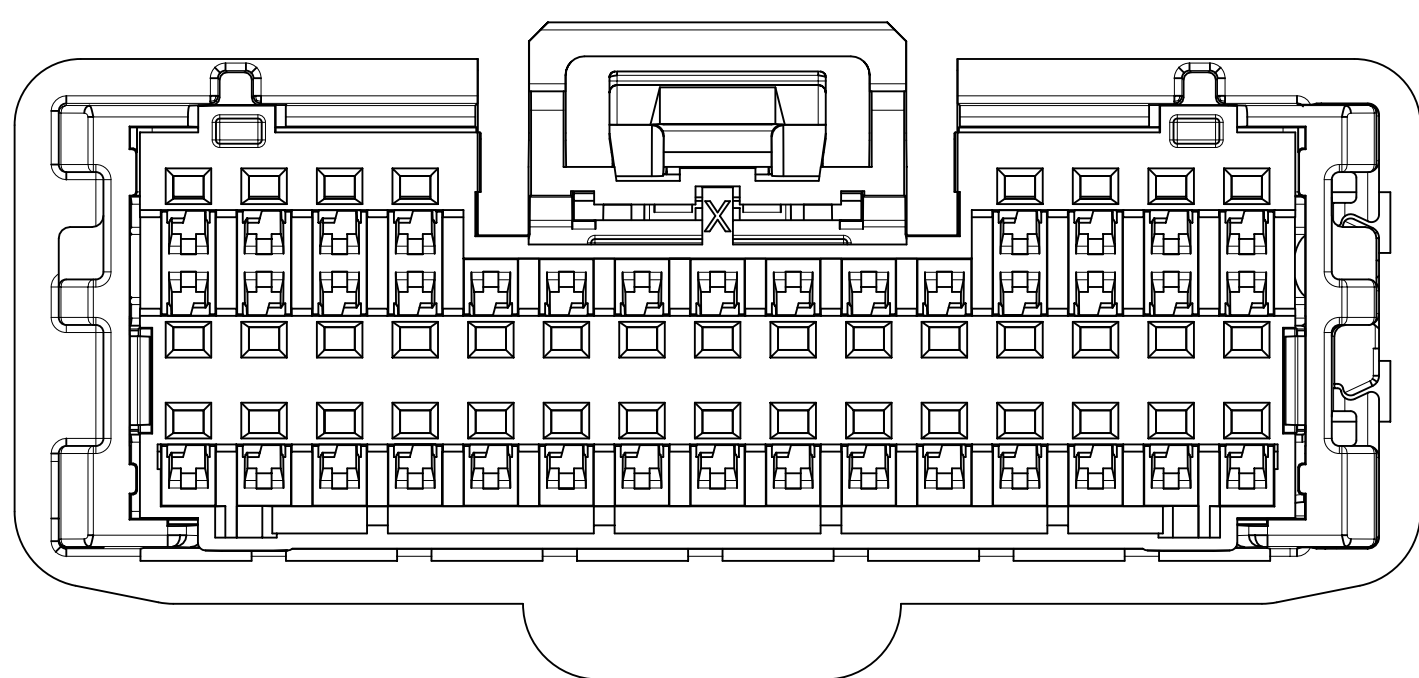
34 WAY POLARIZATION OPTION 'B'



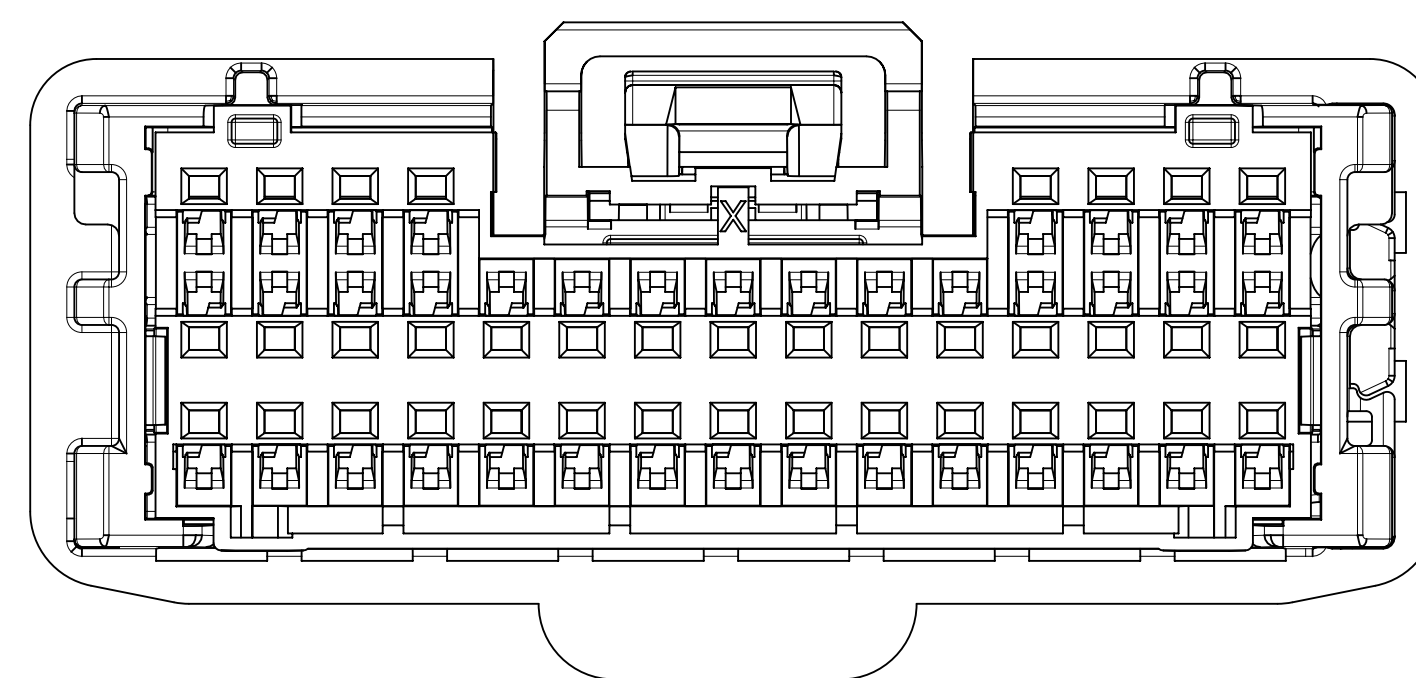
34 WAY POLARIZATION OPTION 'C'



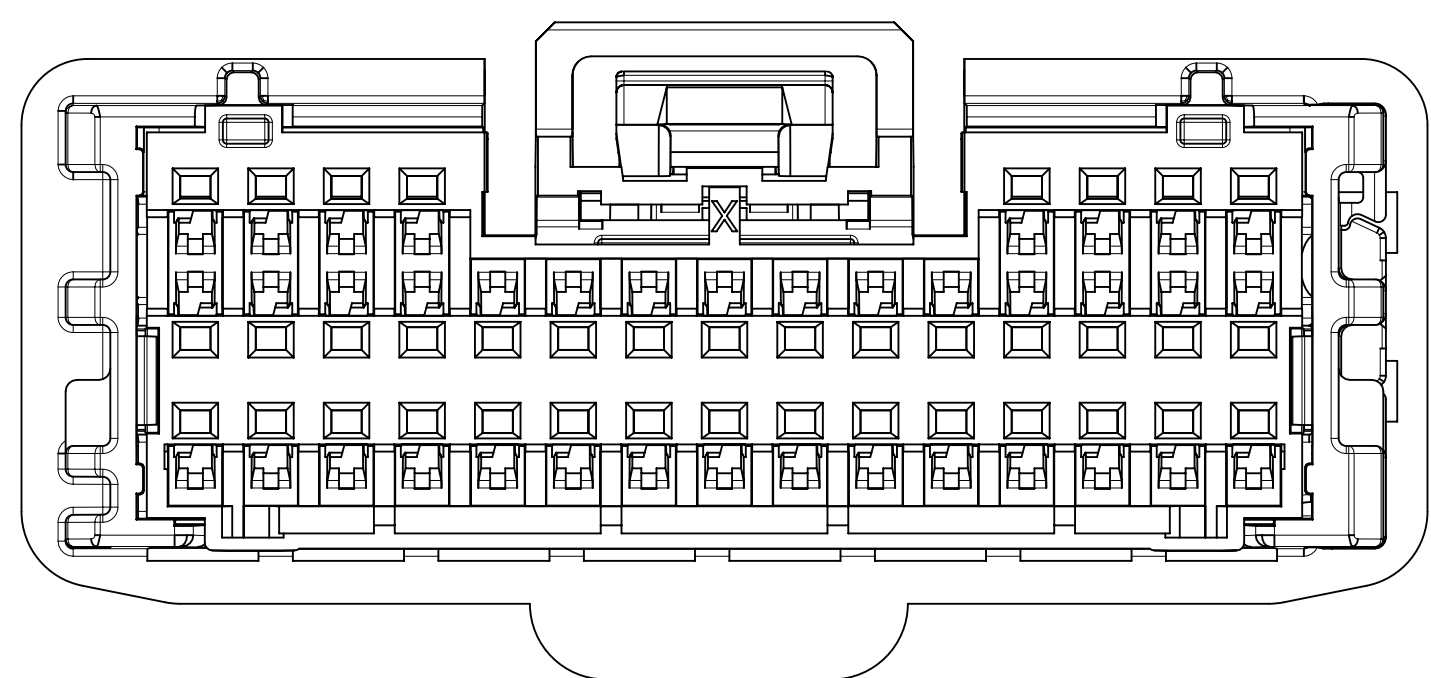
38 WAY POLARIZATION OPTION 'A'



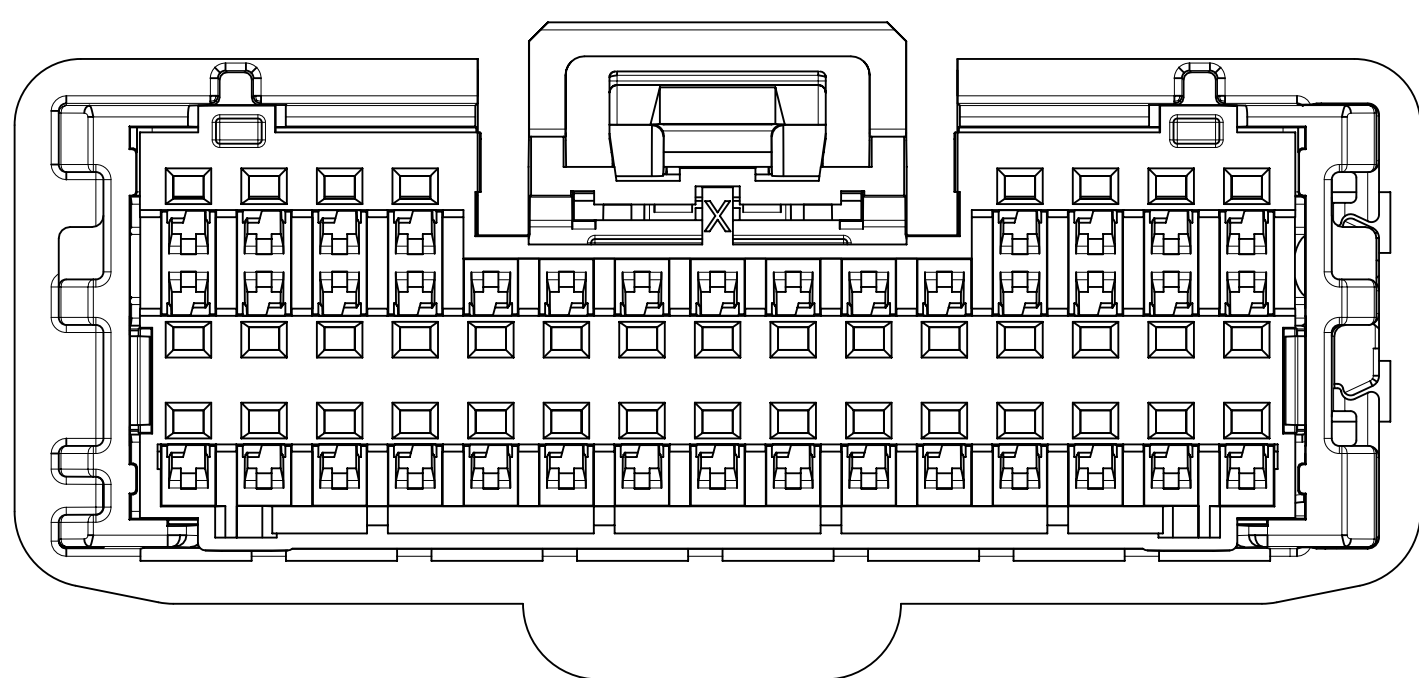
38 WAY POLARIZATION OPTION 'B'



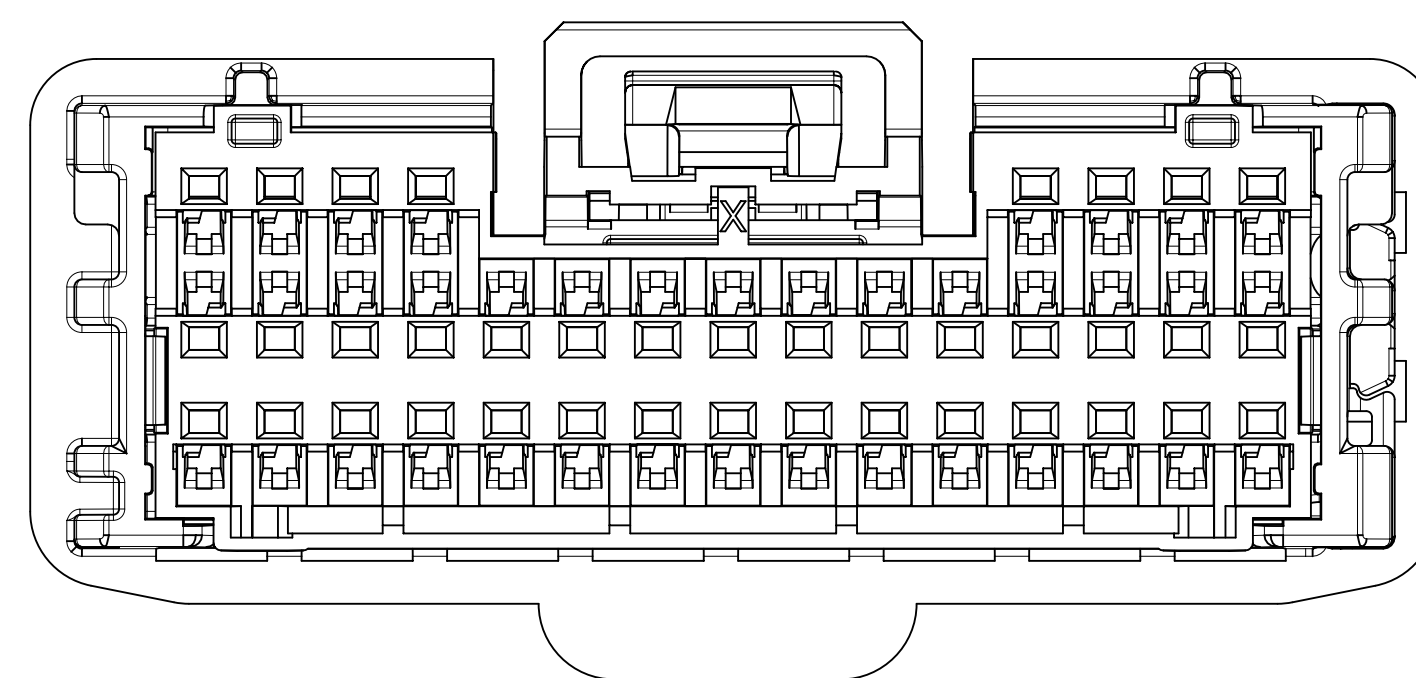
38 WAY POLARIZATION OPTION 'C'



38 WAY POLARIZATION OPTION 'UPDATED A'



38 WAY POLARIZATION OPTION 'UPDATED B'

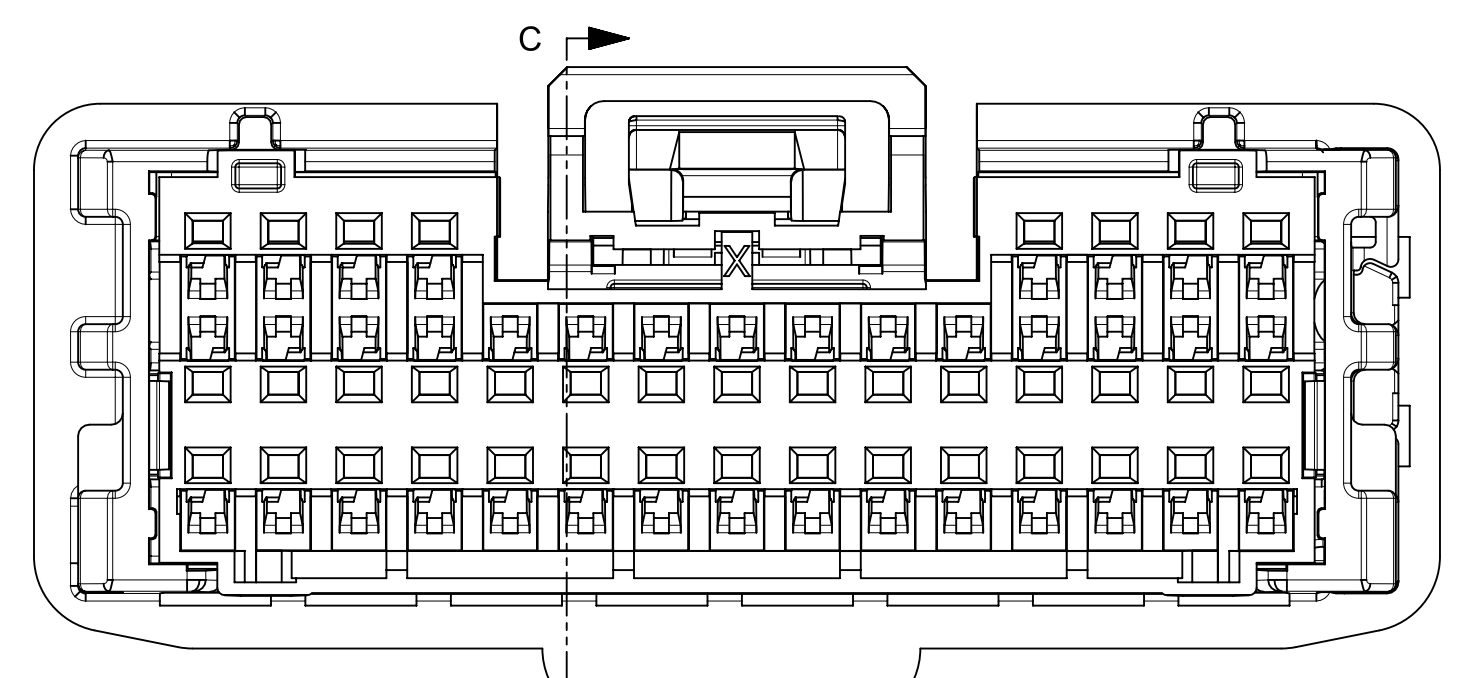


38 WAY POLARIZATION OPTION 'UPDATED C'

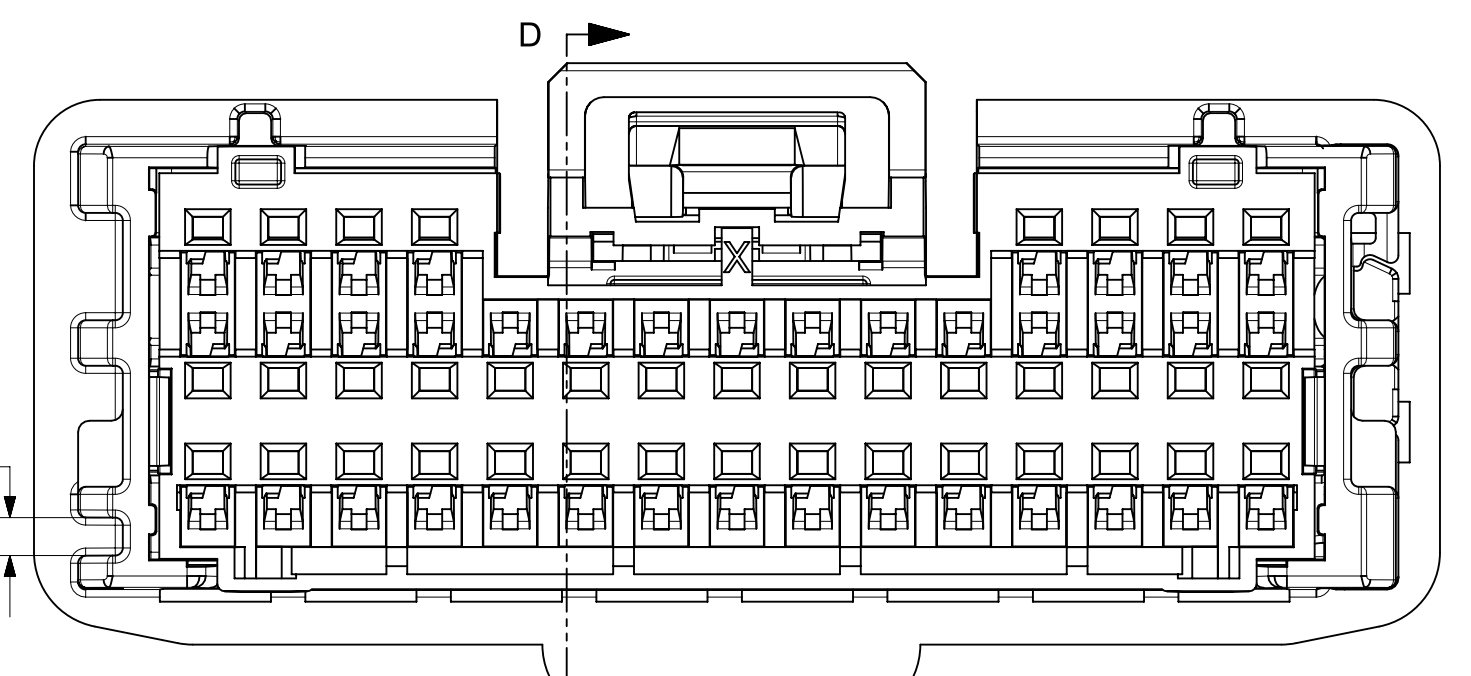
FUNCTIONAL SYMBOLS	THIS DRAWING CONTAINS INFORMATION THAT IS PROPRIETARY TO MOLEX ELECTRONIC TECHNOLOGIES, LLC AND SHOULD NOT BE USED WITHOUT WRITTEN PERMISSION		CURRENT REV DESC: OBSOLETE PART NUMBER					
	DIMENSION UNITS	SCALE						
$\nabla_A = 0$	mm	5:1	CO NO: CO-000001122		<b>34/38 WAY MINI50 FEMALE RECEPTACLE ASSEMBLY SALES DRAWING</b>			
$\nabla_C = 0$	GENERAL TOLERANCES (UNLESS SPECIFIED)		ANGULAR TOL $\pm 1.0^\circ$					
$\nabla_P = 0$	4 PLACES $\pm$		PHASE: Design Production		<b>PRODUCT SALES DRAWING</b>			
DIVISIONAL SYMBOLS	3 PLACES $\pm$		CO NO: CO-000001122					
	2 PLACES $\pm$		DRWN: Gang Li		DOCUMENT NUMBER: <b>SD-34959-030</b> DOC TYPE: PSD    DOC PART: 001    REVISION: E1			
	1 PLACE $\pm$		CHK'D: Shanks Wu					
	0 PLACES $\pm$		APPR: Colin Zhang		MATERIAL NUMBER: <b>34959</b> CUSTOMER: <b>GENERAL MARKET</b> SHEET NUMBER: <b>2 OF 4</b>			
	DRAFT WHERE APPLICABLE MUST REMAIN WITHIN DIMENSIONS		APPR:					
	THIRD ANGLE PROJECTION		DRAWING: <b>D-SIZE</b>		SERIES: <b>34959</b>			

TABLE OF CONTENTS	
SHEET NO.	SHEET DESCRIPTION
3	POL A&B&C DIFFERENCE WITH UPDATED POL A&B&C VIEW; HB / V0 VERSION DIFFERENCE

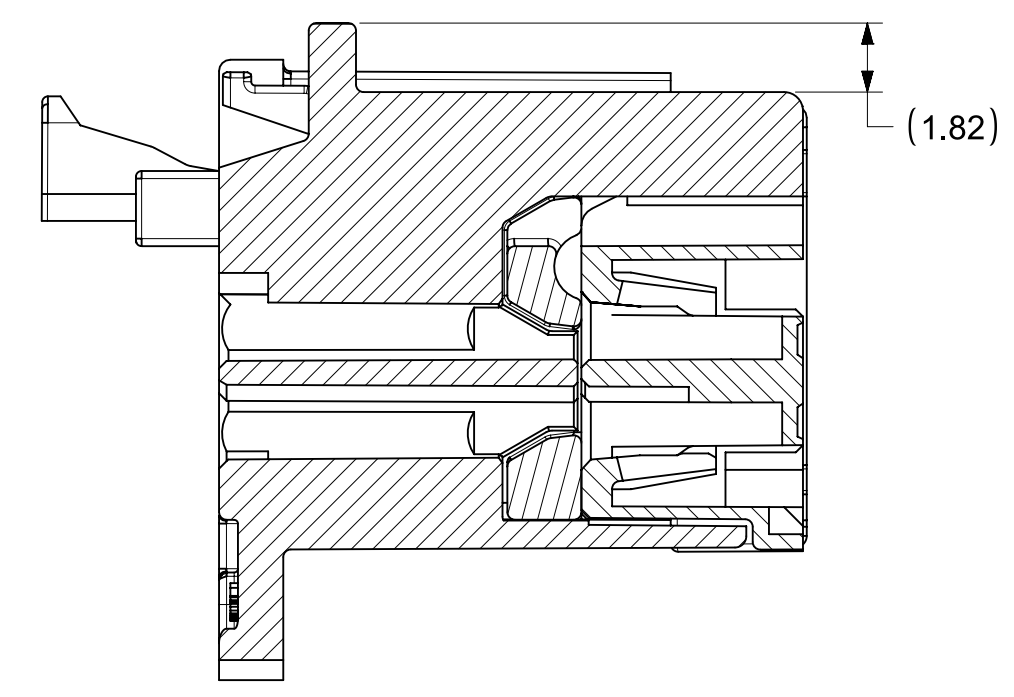
POL A&B&C DIFFERENCE WITH UPDATED POL A&B&C VIEW:



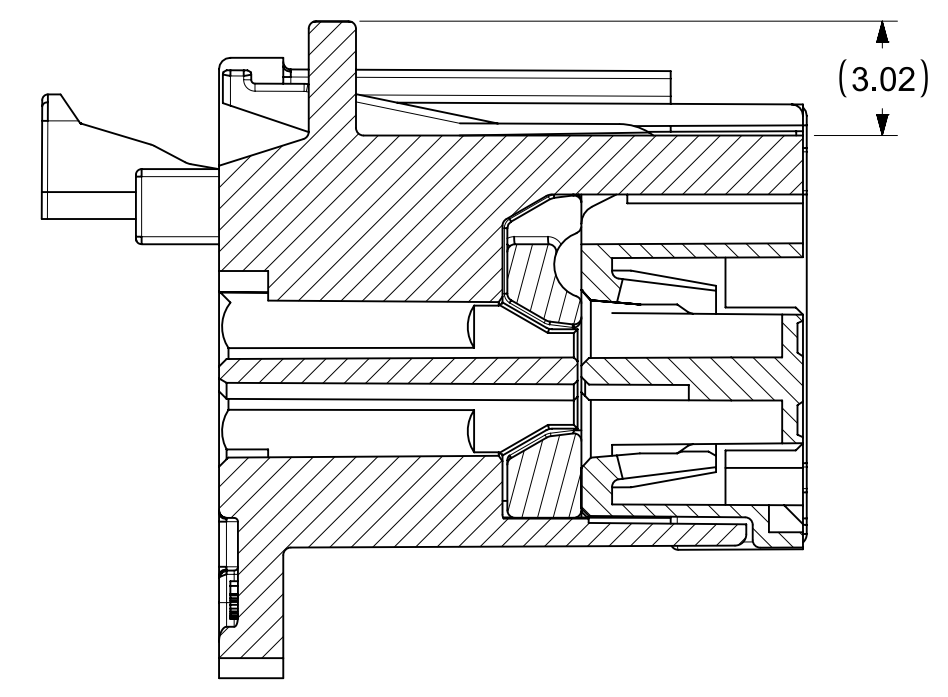
38 WAY POLARIZATION



38 WAY UPDATED POLARIZATION

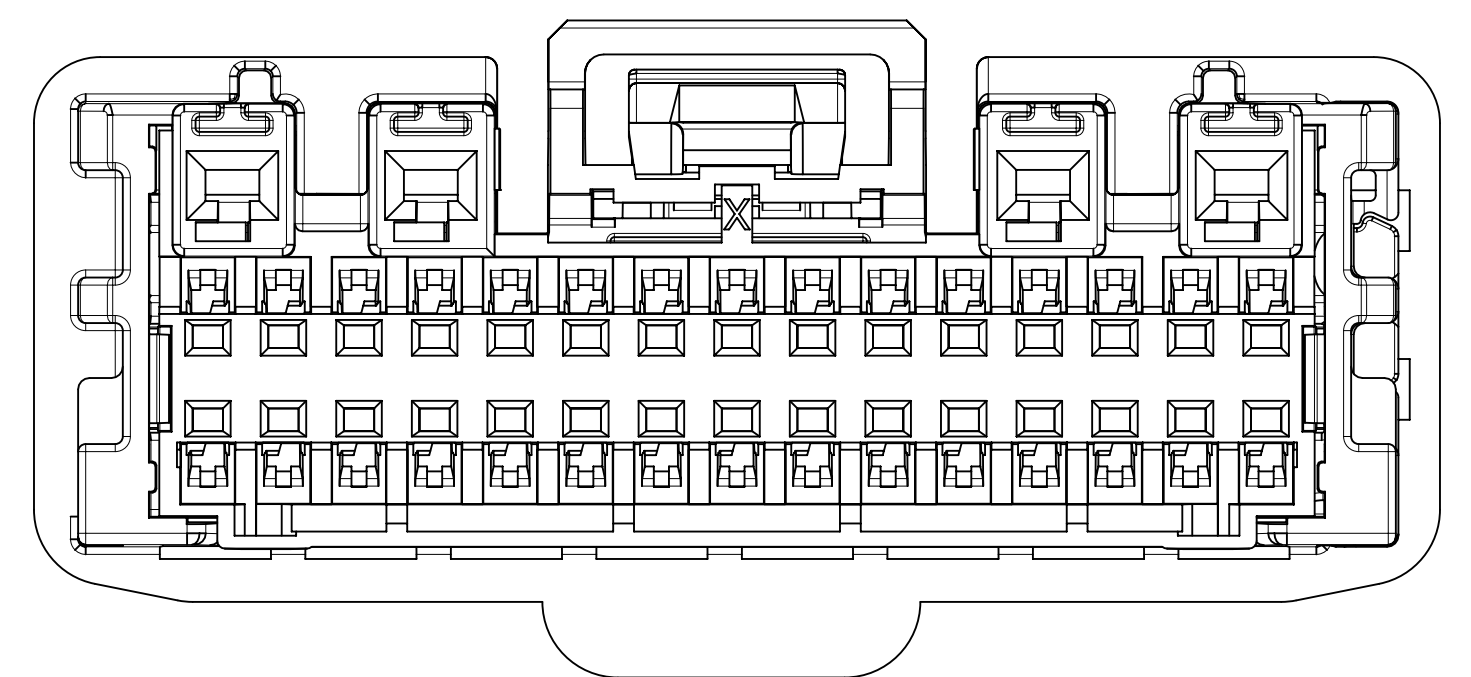


SECTION C-C

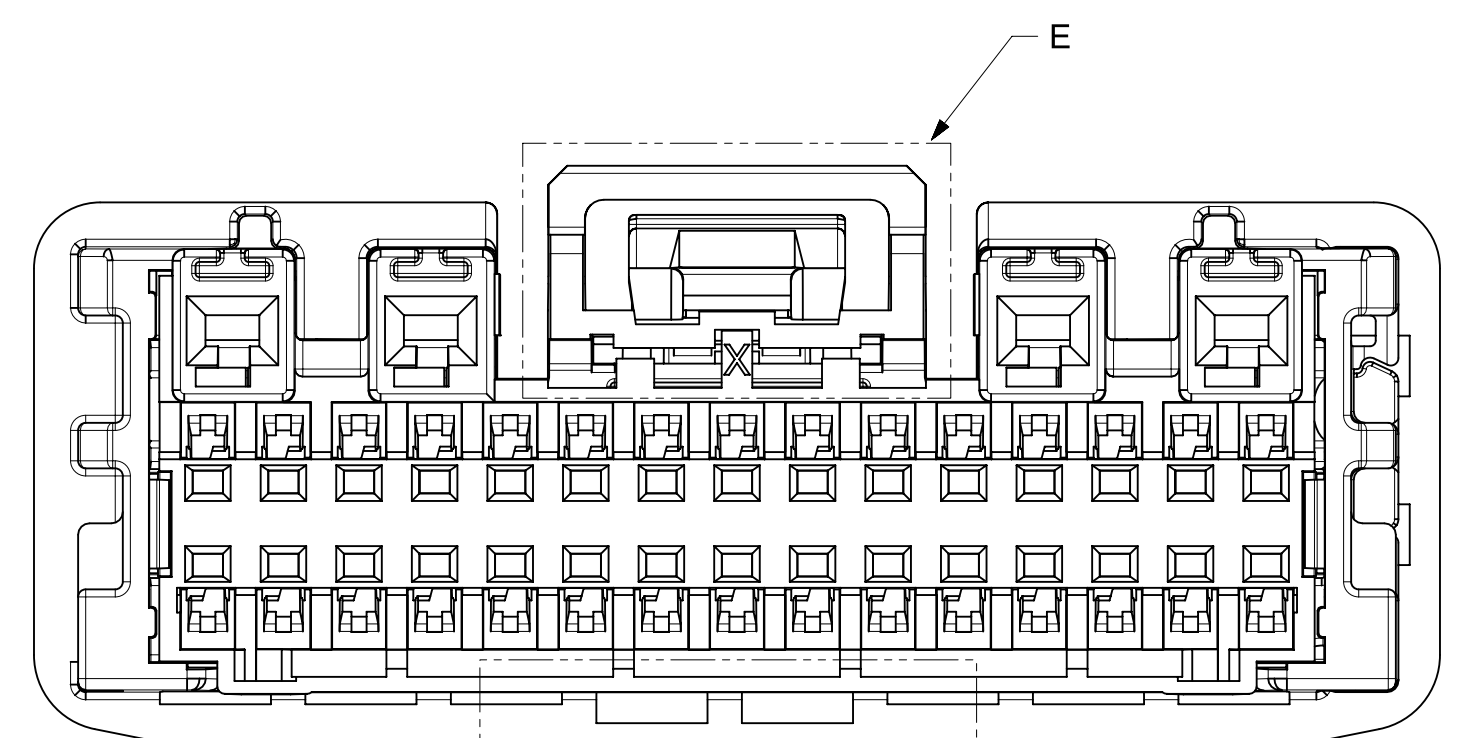


SECTION D-D

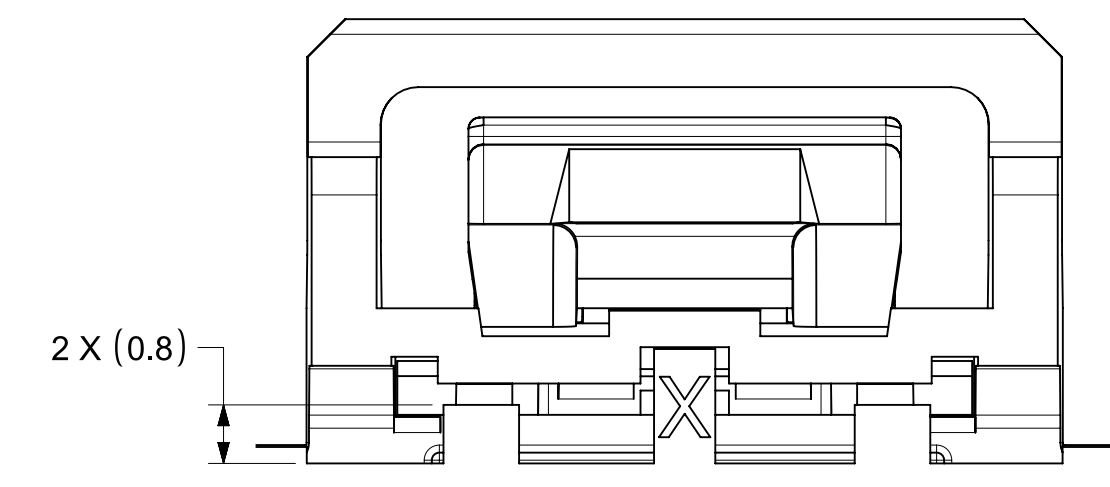
HB / V0 VERSION DIFFERENCE



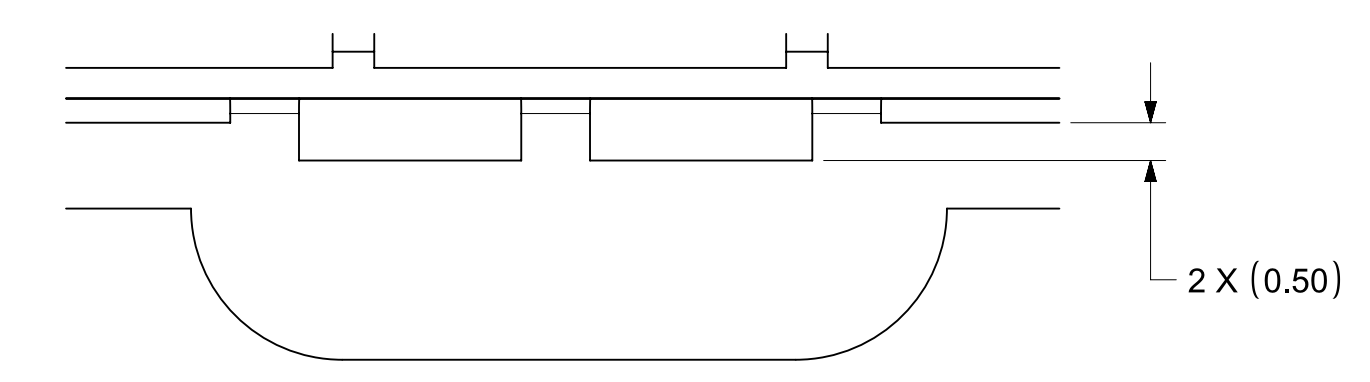
HB P/Ns: 34959XXXX  
APPLIES TO ALL CKT SIZES, USE 34CKT AS SHOWN



V0 P/Ns: 213356XXXX  
APPLIES TO ALL CKT SIZES, USE 34CKT AS SHOWN



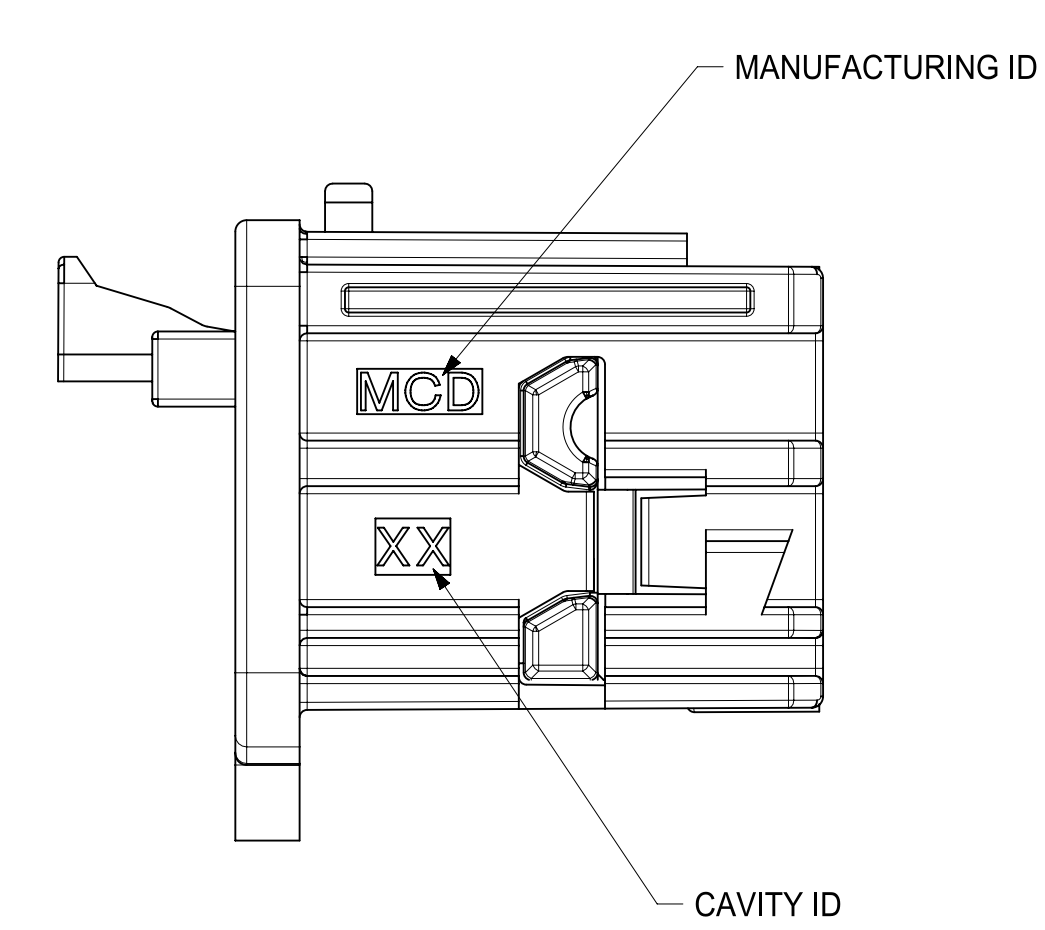
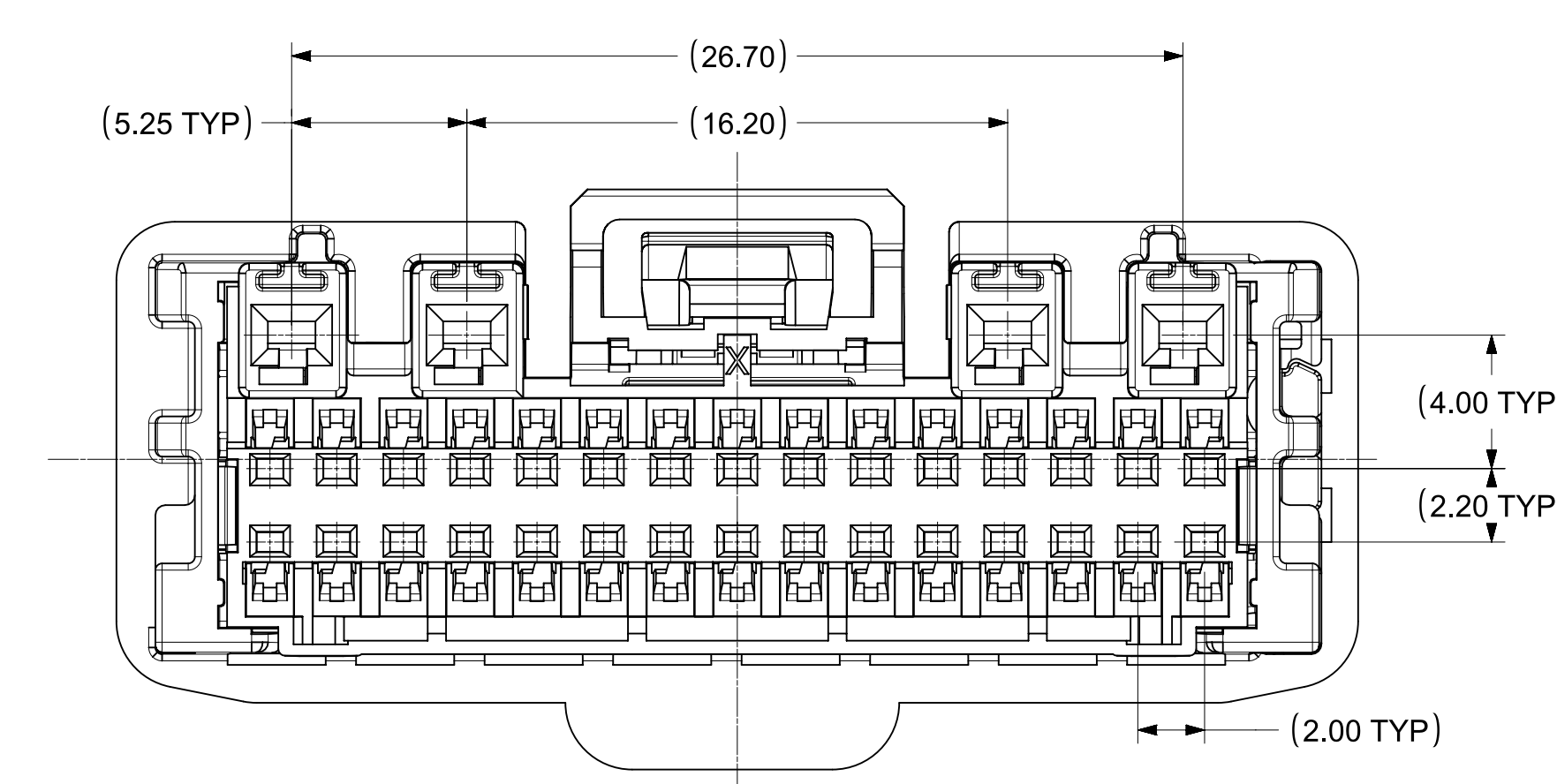
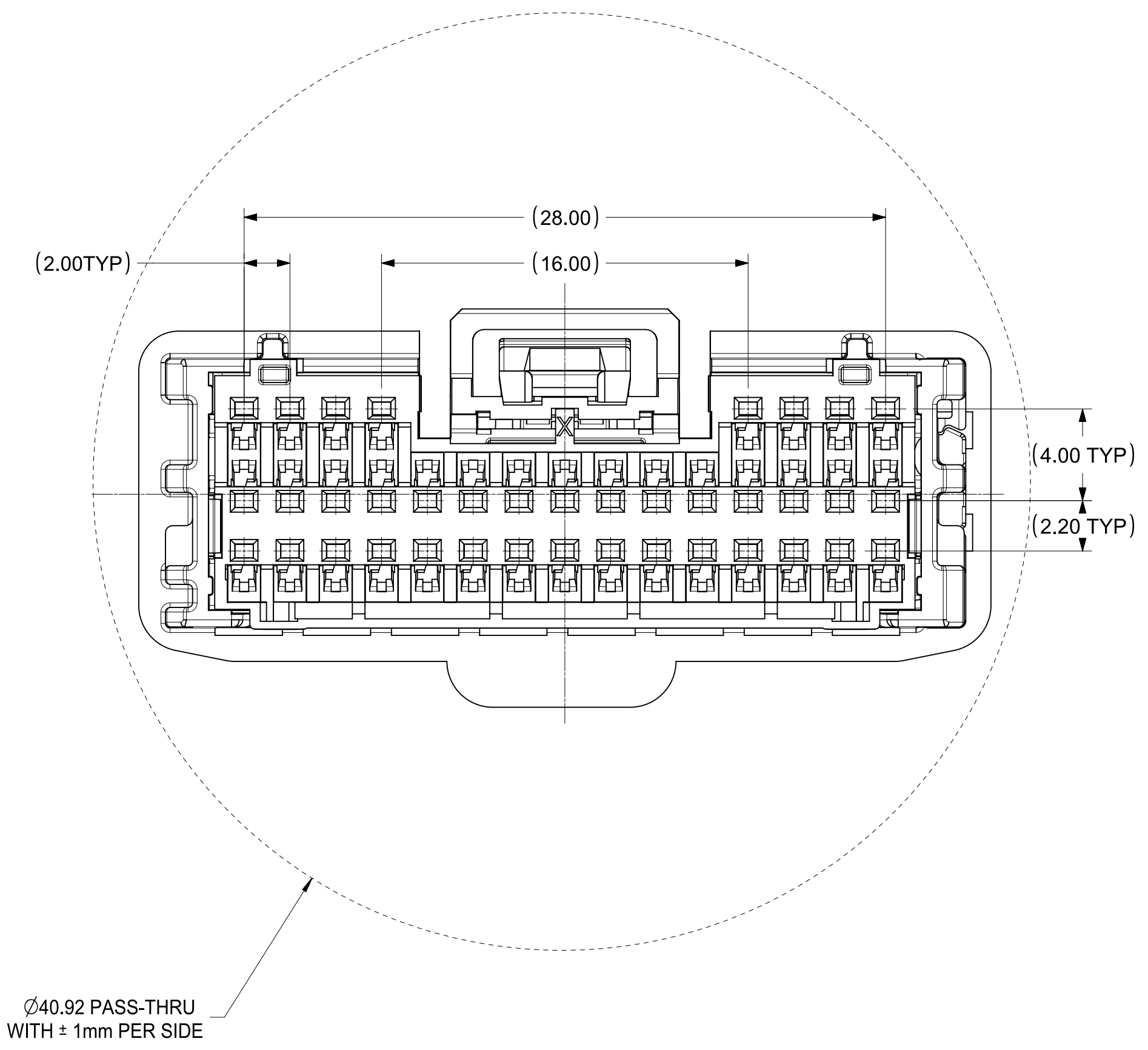
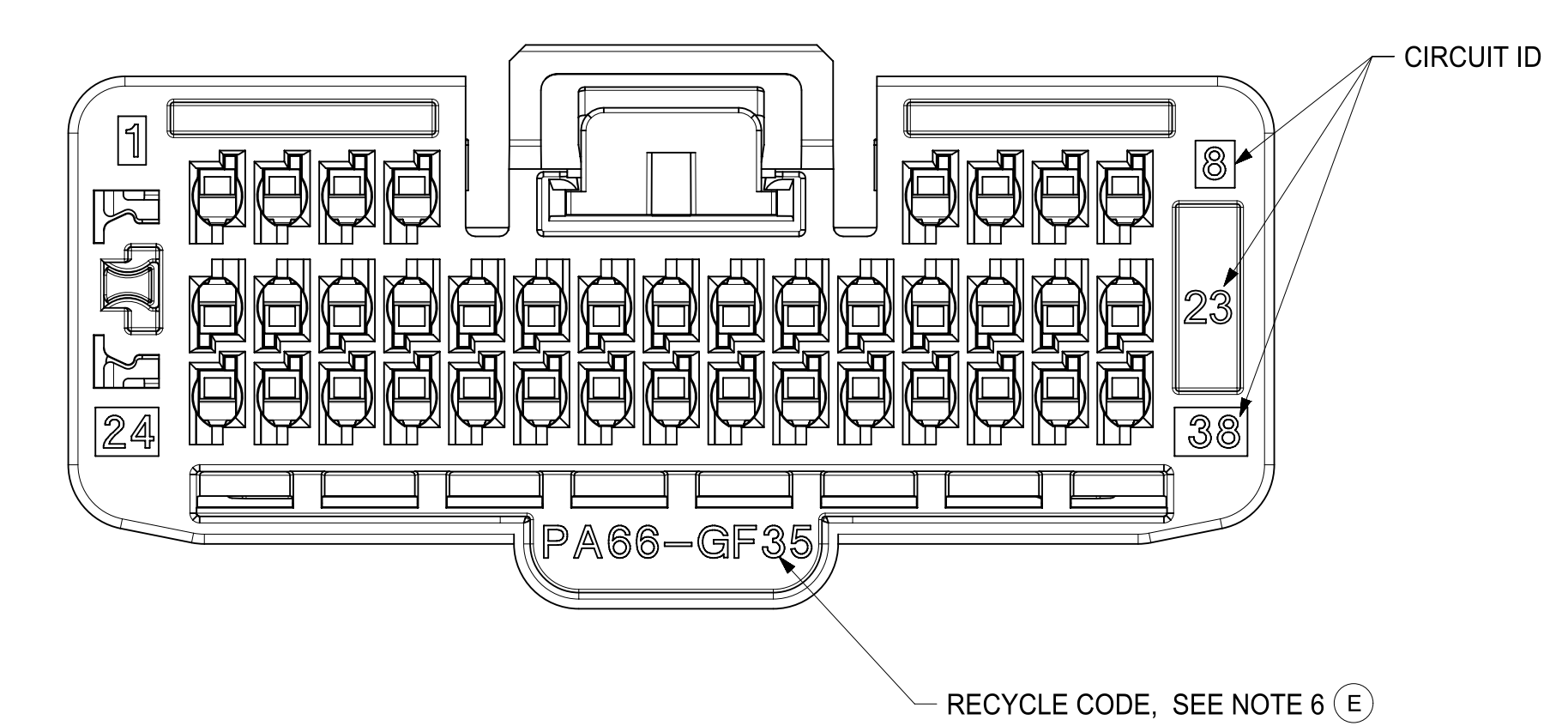
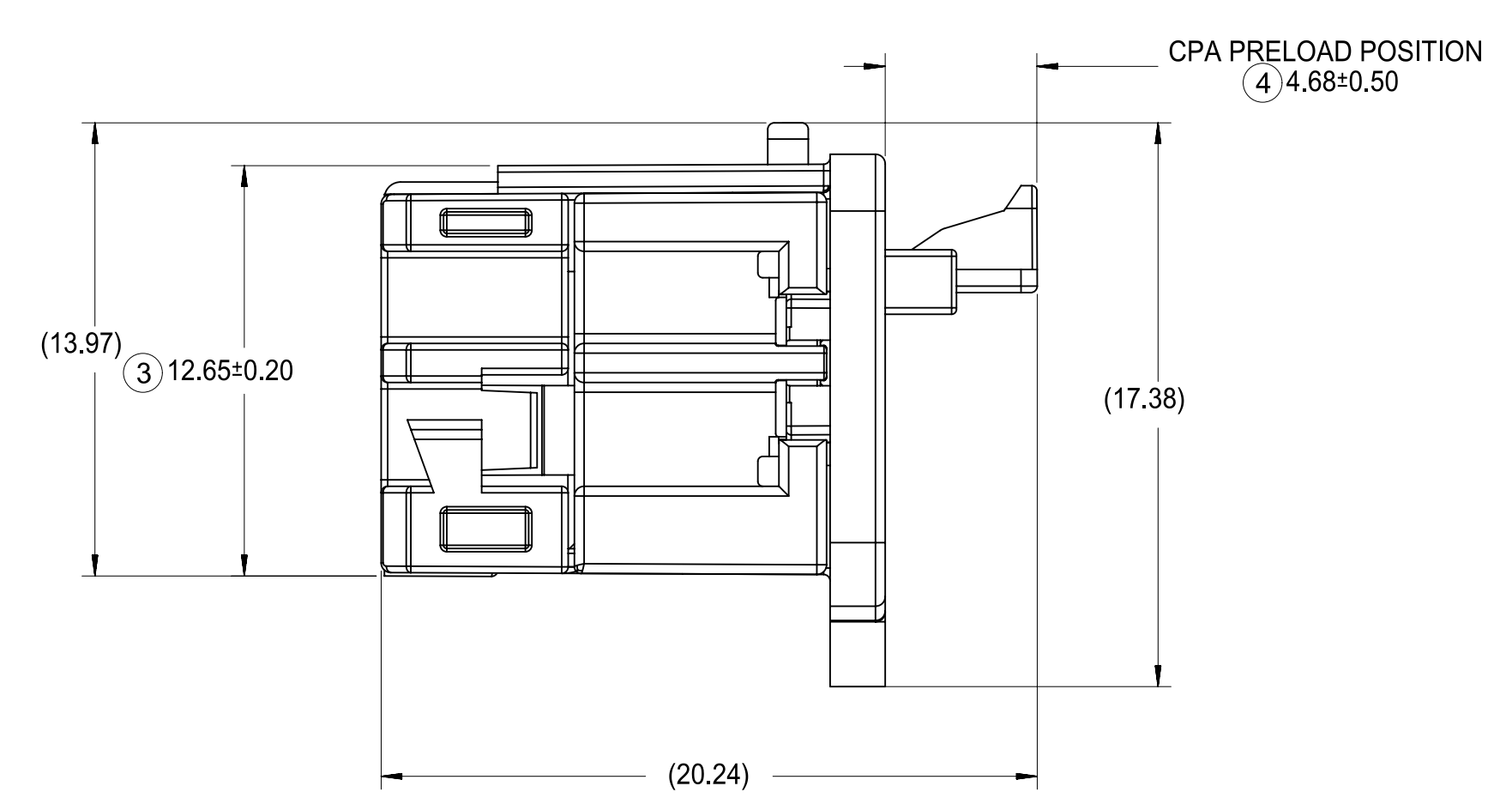
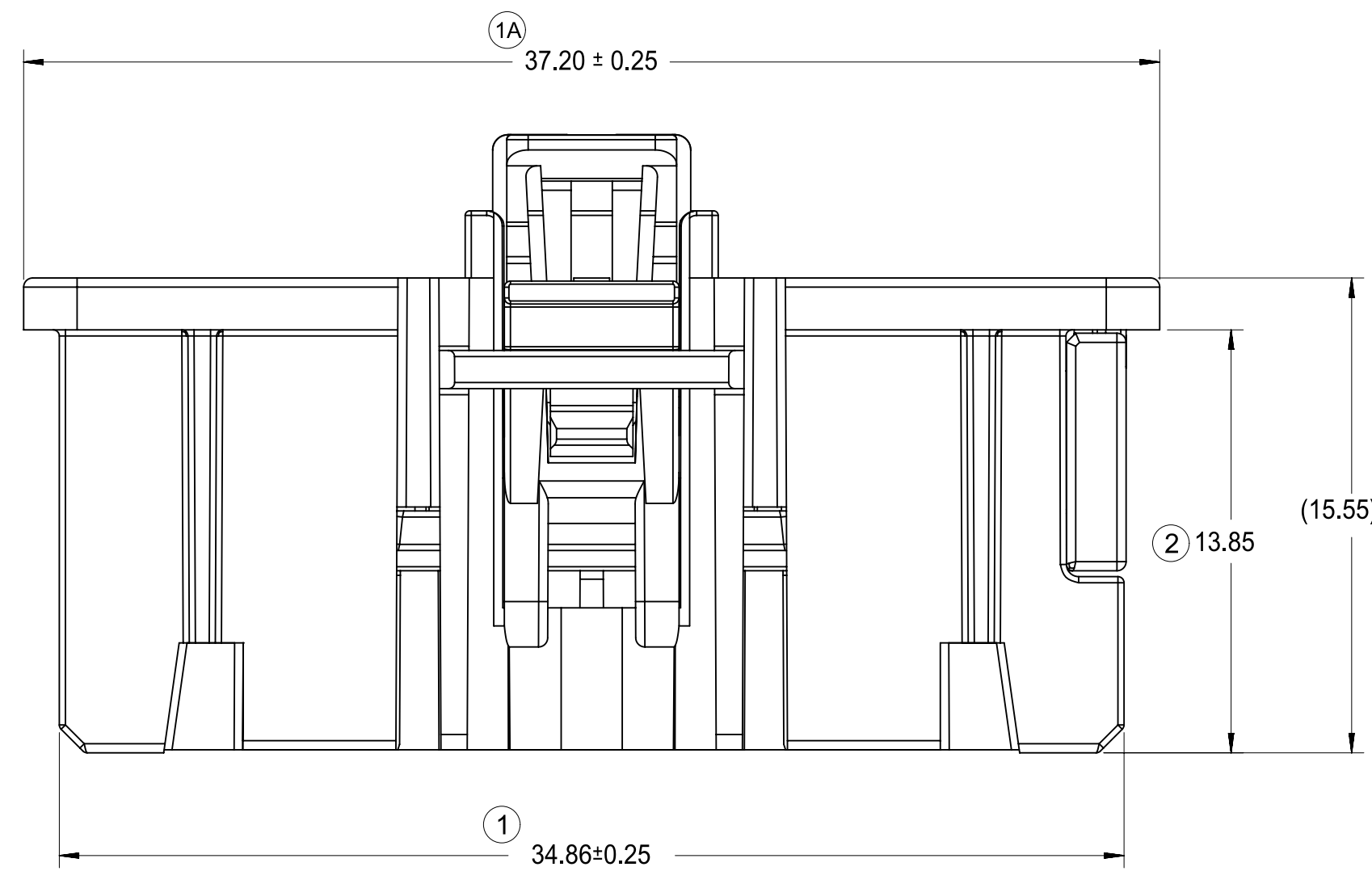
DETAIL E  
SCALE 10:1



DETAIL F  
SCALE 10:1

FUNCTIONAL SYMBOLS $\nabla_A = 0$ $\nabla_C = 0$ $\nabla_D = 0$	THIS DRAWING CONTAINS INFORMATION THAT IS PROPRIETARY TO MOLEX ELECTRONIC TECHNOLOGIES, LLC AND SHOULD NOT BE USED WITHOUT WRITTEN PERMISSION		DIMENSION UNITS: <b>mm</b> SCALE: <b>5:1</b>		CURRENT REV DESC: OBSOLETE PART NUMBER	
	GENERAL TOLERANCES (UNLESS SPECIFIED) ANGULAR TOL $\pm 1.0^\circ$		PHASE: Design Production CO NO: CO-000001122 DRWN: Gang Li CHK'D: Shanks Wu APPR: Colin Zhang		2022-09-06 2022-10-07 2022-10-10	
DIVISIONAL SYMBOLS 4 PLACES $\pm$ 3 PLACES $\pm$ 2 PLACES $\pm$ 1 PLACE $\pm$ 0 PLACES $\pm$	DRAFT WHERE APPLICABLE MUST REMAIN WITHIN DIMENSIONS		THIRD ANGLE PROJECTION 		DRAWING: <b>D-SIZE</b> SERIES: <b>34959</b>	
	PRODUCT SALES DRAWING DOCUMENT NUMBER: <b>SD-34959-030</b> CUSTOMER: <b>GENERAL MARKET</b>		DOC TYPE: <b>PSD</b> DOC PART: <b>001</b> REVISION: <b>E1</b>		SHEET NUMBER: <b>3 OF 4</b>	

SHEET NO.	SHEET DESCRIPTION
4	DETAIL DIMENSION VIEW



Ø40.92 PASS-THRU WITH ± 1mm PER SIDE

FUNCTIONAL SYMBOLS FA = 0 FE = 0 FP = 0	THIS DRAWING CONTAINS INFORMATION THAT IS PROPRIETARY TO MOLEX ELECTRONIC TECHNOLOGIES, LLC AND SHOULD NOT BE USED WITHOUT WRITTEN PERMISSION		CURRENT REV DESC: OBSOLETE PART NUMBER	
	DIMENSION UNITS mm	SCALE 5:1		
DIVISIONAL SYMBOLS	GENERAL TOLERANCES (UNLESS SPECIFIED)		PHASE: Design Production	
	ANGULAR TOL ± 1.0°		CO NO: CO-000001122	
	4 PLACES ±	DRWN: Gang Li		2022-09-06
	3 PLACES ±	CHK'D: Shanks Wu		2022-10-07
	2 PLACES ±	APPR: Colin Zhang		2022-10-10
1 PLACE ±	INITIAL REVISION:			
0 PLACES ±	DRWN: RFC_PLMIMP			
DRAFT WHERE APPLICABLE MUST REMAIN WITHIN DIMENSIONS		THIRD ANGLE PROJECTION	DRAWING D-SIZE	SERIES 34959
		MATERIAL NUMBER SD-34959-030		CUSTOMER GENERAL MARKET
		DOC TYPE PSD	DOC PART 001	REVISION E1
		SHEET NUMBER 4 OF 4		

**molex**

34/38 WAY MINI50 FEMALE RECEPTACLE ASSEMBLY SALES DRAWING

PRODUCT SALES DRAWING

DOCUMENT NUMBER: SD-34959-030, DOC TYPE: PSD, DOC PART: 001, REVISION: E1

MATERIAL NUMBER: SD-34959-030, CUSTOMER: GENERAL MARKET, SHEET NUMBER: 4 OF 4