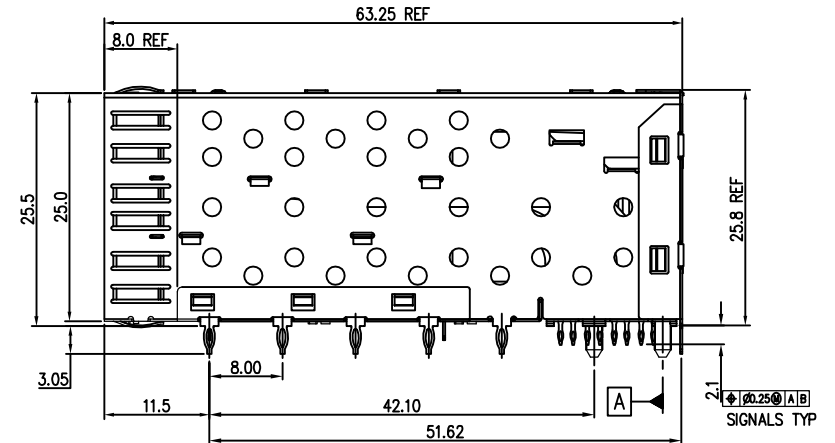
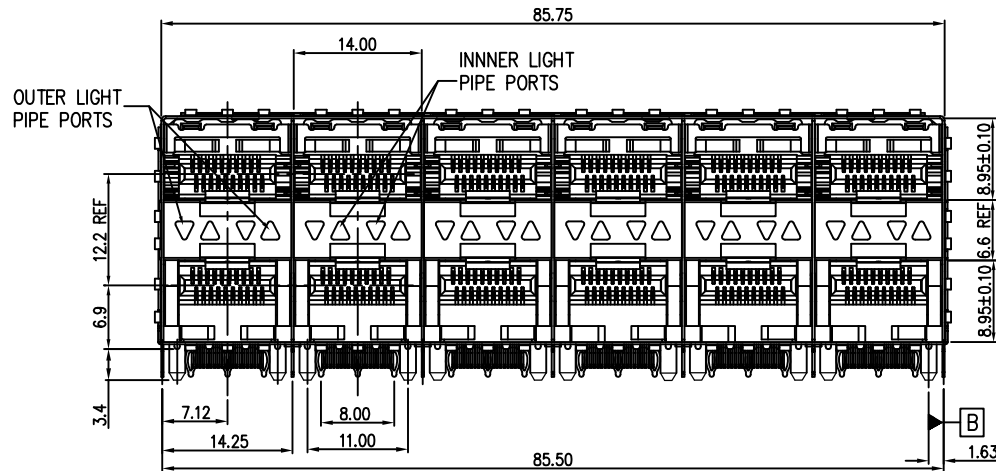


| REVISION RECORD | | |
|-----------------|---|---------------|
| REV | DESCRIPTION | DRFT |
| 1 | ADD NOTE | Jack 9/03/10' |
| 2 | (1) CHANGE TO 3 ROW TABS (2) ADD TRACE KEEP OUT AREA&DIMENSION | Jack 9/29/10' |
| 3 | MODIFY PLATING SPECIFICATION | Jack 1/27/11' |
| 4 | ADD DETAIL VIEW | Jack 1/30/12' |
| 5 | CHANGE PLASTIC MATERIAL | Roy 1/14/14' |

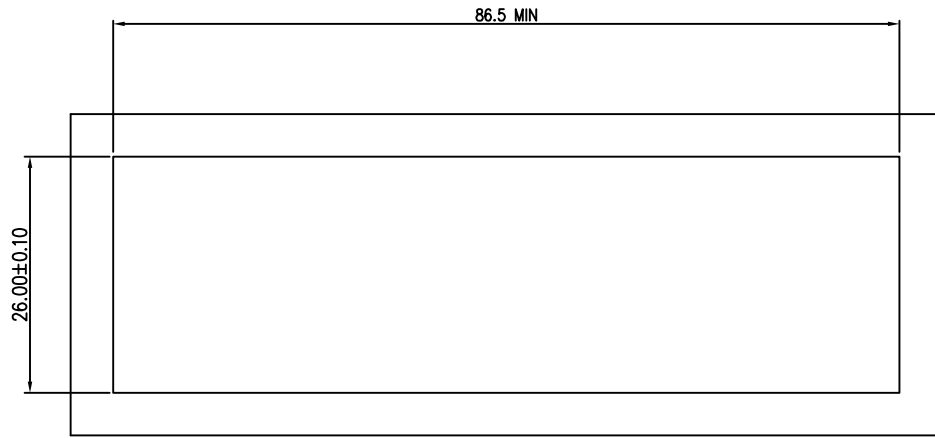


- NOTES:
- MATERIAL:
CONNECTOR
HOUSING: GLASS FILLED LIQUID CRYSTAL POLYMER(LCP) UL94V-0. BLACK. Δ
TERMINALS: PHOS-BRONZE $t=0.2\text{mm}$.
OVERMOLDED TERMINAL HOUSING: GLASS FILLED LIQUID CRYSTAL POLYMER(LCP) UL94V-0. BLACK. Δ
CAGE ASSEMBLY: COPPER-NICKEL-ZINC ALLOY $t=0.25\text{mm}$.
 - FINISH:
TERMINAL:
1) 50μ MIN NICKEL PLATING OVER ALL.
2) 30μ MIN GOLD PLATING ON MATING AREA.
 - PRESS FIT HOLES:
CONTACT:
1) HOLE DIAMETER AFTER PLATING: $0.41-0.51\text{mm}$.
2) DRILLED HOLE: $0.535-0.585\text{mm}$
CAGE:
1) HOLE DIAMETER AFTER PLATING: $1.00-1.10\text{mm}$.
2) DRILLED HOLE: $1.125-1.175\text{mm}$.
 - RATING:
1) VOLTAGE: 120V r.m.s
2) CURRENT RATING: 0.5Amp. MAXIMUM PER INDIVIDUAL CONTACT.
3) OPERATING TEMPERATURE: -55°C TO 85°C
4) INSULATION RESISTANCE: 1000 mega-ohms Min.

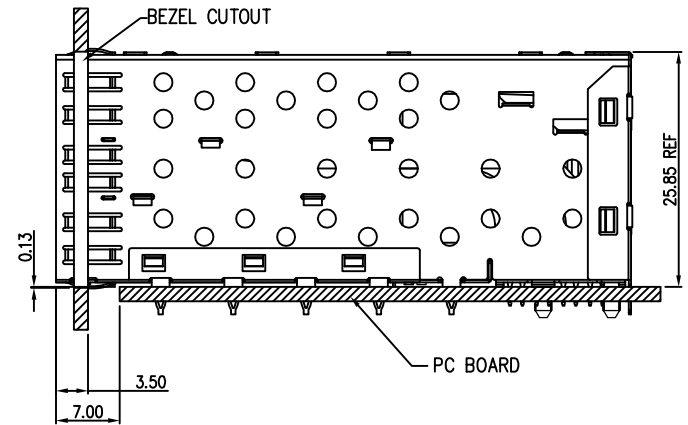
| PART NUMBER | DESCRIPTION | REV | GOLD PLATING |
|-------------|--|-----|--------------|
| SFP005-03-L | WITH INNER/OUTER LIGHT PIPES, PULSE LAYOUT | F | 30μ |

| | | | | | | | |
|------------------------|----------------------------|---------------|------------|-----------------|----------------------------|----------------------|-------|
| DETACHED LISTS | TOLERANCES EXCEPT AS NOTED | | DFTO Roy | DATE 01/14/2014 | | RoHS Compliant | |
| | MM (INCH) | | CHKD | DATE | | | |
| | .0 ± 0.20 | ± | APPVL | DATE | TITLE | | |
| | .00 ± 0.15 | ± | MATERIAL : | | SFP 2BY 6 CAGE+CONNECTOR_P | | |
| .000 ± 0.075 | ± | ANGLES ± 0.5° | | QTY : | DRAWING NO. CSFP005-03-L | SIZE A3 | REV 5 |
| THIRD ANGLE PROJECTION | | FINISH : | | SCALE : 1:1 | /PART NO. SFP005-03-L | DO NOT SCALE DRAWING | |
| | | | | SHEET 1 | OF 4 | | |

| REVISION RECORD | | |
|-----------------|---|---------------|
| REV | DESCRIPTION | DRFT |
| 1 | ADD NOTE | Jack 9/03/10' |
| 2 | (1) CHANGE TO 3 ROW TABS (2) ADD TRACE KEEP OUT AREA&DIMENSION | Jack 9/29/10' |
| 3 | MODIFY PLATING SPECIFICATION | Jack 1/27/11' |
| 4 | ADD DETAIL VIEW | Jack 1/30/12' |
| 5 | CHANGE PLASTIC MATERIAL | Roy 1/14/14' |

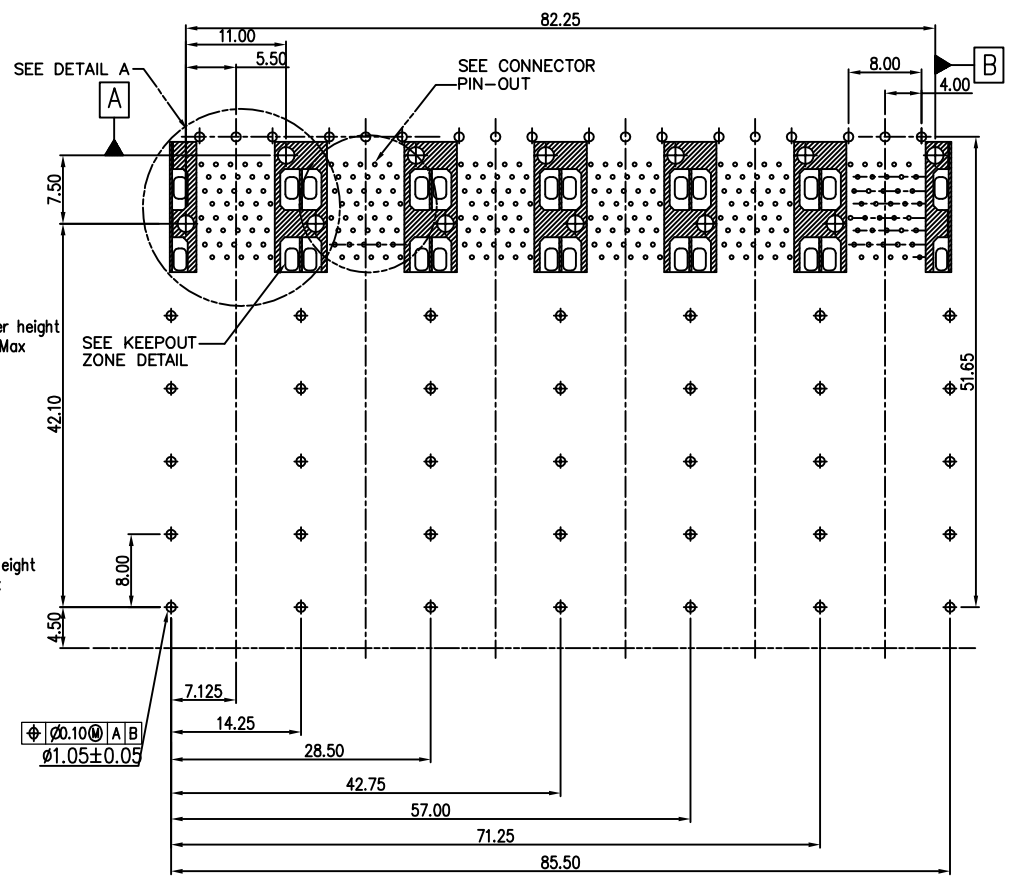
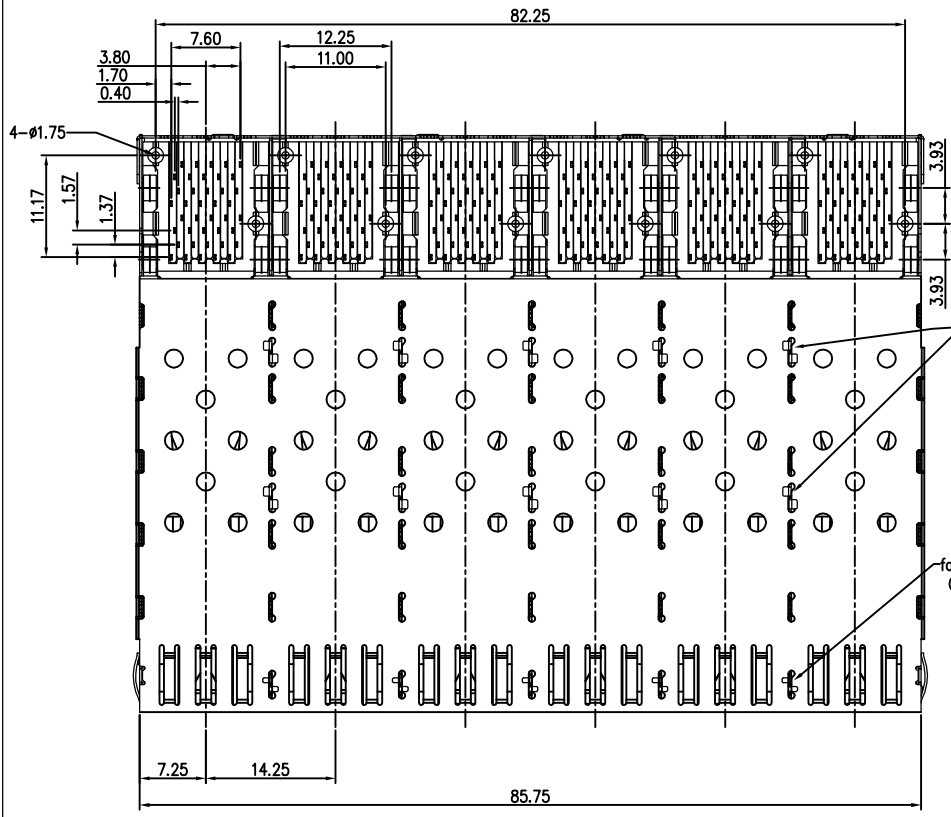


BEZEL CUT-OUT CENTER SPACING DETAIL
BEZEL THICKNESS: 0.8-2.6



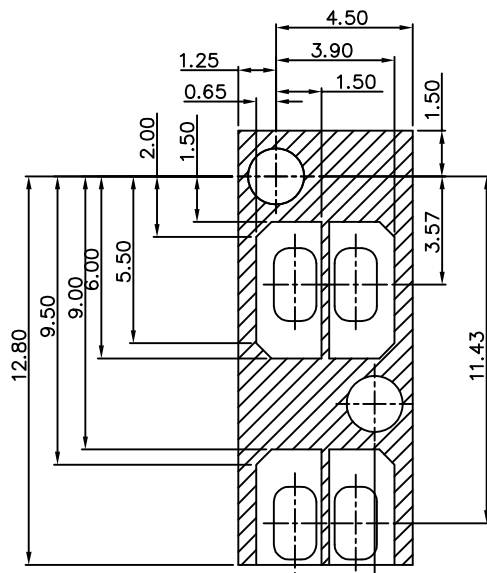
| | | | | | | | | |
|----------------------------|---|-------------|------------|----------------------|----------------------------|----------------|------|-----|
| DETACHED LISTS | \leftarrow MM \rightarrow (INCH) | | DFTO Roy | DATE 01/14/2014 | | RoHS Compliant | | |
| | TOLERANCES EXCEPT AS NOTED | | CHKD | DATE | | TITLE | | |
| | MM | ± | APPVL | DATE | SFP 2BY 6 CAGE+CONNECTOR_P | | | |
| | .0 ± 0.20 | ± | MATERIAL : | | DRAWING NO. | CSFP005-03-L | SIZE | REV |
| | .00 ± 0.15 | ± | QTY : | | /PART NO. | SFP005-03-L | A3 | 5 |
| .000 ± 0.075 | ± | FINISH : | | DO NOT SCALE DRAWING | | SHEET | 2 | |
| ANGLES ± 0.5° | | SCALE : 1:1 | | | | OF | 4 | |
| THIRD ANGLE PROJECTION | | | | | | | | |

| REVISION RECORD | | |
|-----------------|---|------------------|
| REV | DESCRIPTION | DRFT |
| 1 | ADD NOTE | Jack 9/03/10' |
| 2 | (1) CHANGE TO 3 ROW TABS (2) ADD TRACE KEEP OUT AREA&DIMENSION | Jack 9/28/10' |
| 3 | MODIFY PLATING SPECIFICATION | Jack 1/27/11' |
| 4 | ADD DETAIL VIEW | Jack 1/30/12' |
| 5 | CHANGE PLASTIC MATERIAL | Roy 1/14/14' |

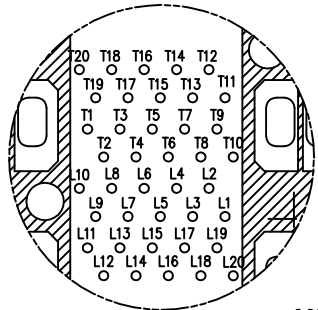


| | | | | | |
|------------------------|----------------------------|-------------|------------|-----------------------|---|
| DETACHED LISTS | ← MM (INCH) → | | DFTO Roy | DATE 01/14/2014 | Pulse Electronics RoHS Compliant |
| | TOLERANCES EXCEPT AS NOTED | | CHKD | DATE | |
| | MM | ± | APPVL | DATE | TITLE |
| | .0 ± 0.20 | ± | MATERIAL : | | SFP 2BY 6 CAGE+CONNECTOR_P |
| | .00 ± 0.15 | ± | QTY : | | DRAWING NO. CSFP005-03-L |
| .000 ± 0.075 | ± | FINISH : | | /PART NO. SFP005-03-L | |
| ANGLES ± 0.5° | | SCALE : 1:1 | | DO NOT SCALE DRAWING | SIZE A3 |
| THIRD ANGLE PROJECTION | | | | SHEET 3 OF 4 | REV 5 |

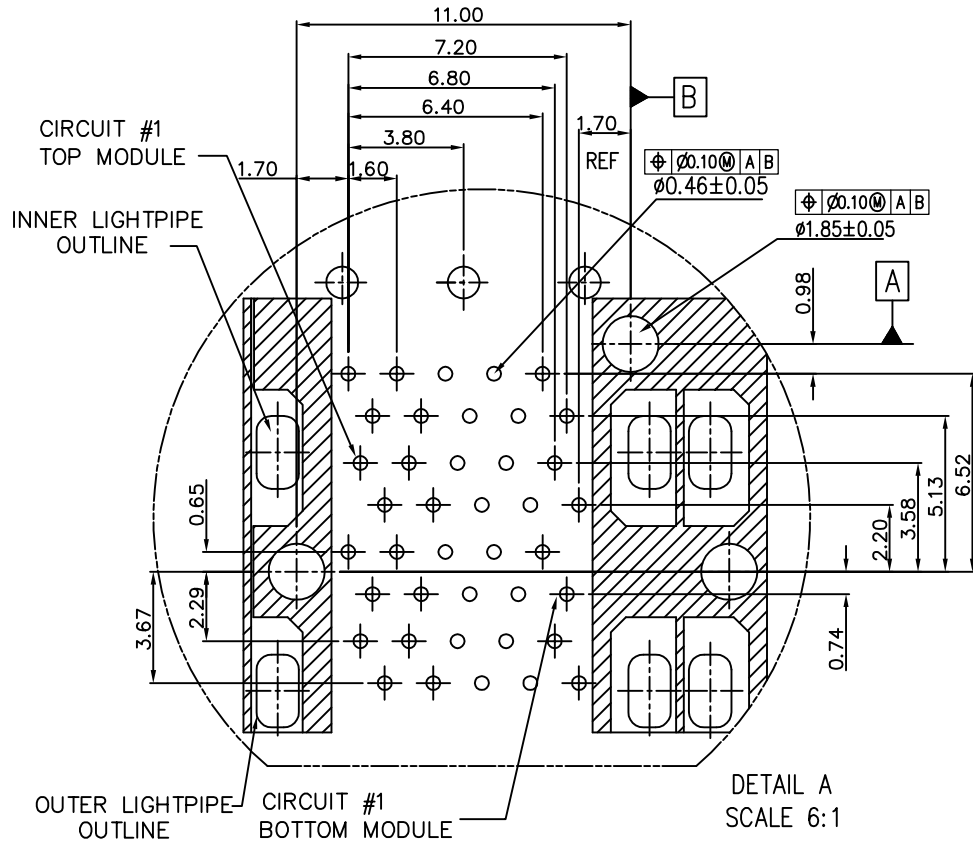
| REVISION RECORD | | |
|-----------------|---|---------------|
| REV | DESCRIPTION | DRFT |
| 1 | ADD NOTE | Jack 9/03/10' |
| 2 | (1) CHANGE TO 3 ROW TABS (2) ADD TRACE KEEP OUT AREA&DIMENSION | Jack 9/29/10' |
| 3 | MODIFY PLATING SPECIFICATION | Jack 1/27/11' |
| 4 | ADD DETAIL VIEW | Jack 1/30/12' |
| 5 | CHANGE PLASTIC MATERIAL | Roy 1/14/14' |



KEEP-OUT ZONE DETAIL
SCALE 6:1



CONNECTOR PIN-OUT
COMPONENT SIDE OF BOARD



DETAIL A
SCALE 6:1

| | | | | | |
|------------------------|---|--------------------------|----------------------------|----------------------|----------------|
| DETACHED LISTS | MM (INCH) | DFTO Roy | DATE 01/14/2014 | | RoHS Compliant |
| | TOLERANCES EXCEPT AS NOTED | CHKD | DATE | | |
| | MM | APPVL | DATE | TITLE | |
| | .0 ± 0.20 ± .00 ± 0.15 ± .000 ± 0.075 ± | MATERIAL : | SFP 2BY 6 CAGE+CONNECTOR_P | | |
| ANGLES ± 0.5° | QTY : | DRAWING NO. CSFP005-03-L | | SIZE A3 | REV 5 |
| THIRD ANGLE PROJECTION | FINISH : | /PART NO. SFP005-03-L | | DO NOT SCALE DRAWING | |
| | SCALE : 1:1 | SHEET 4 OF 4 | | | |