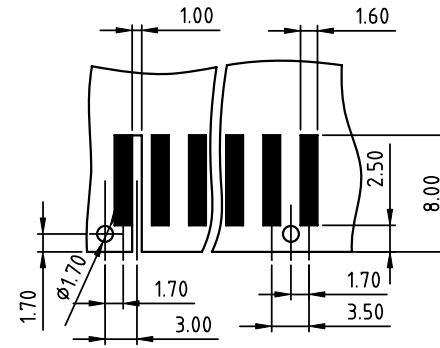
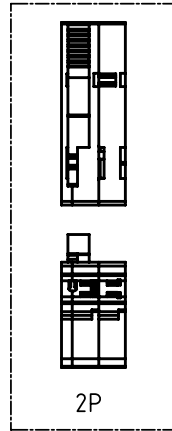
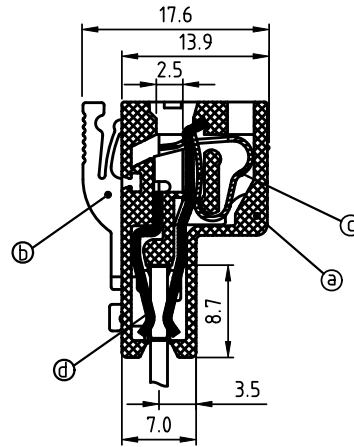
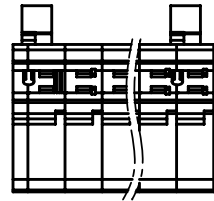
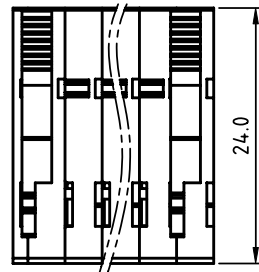
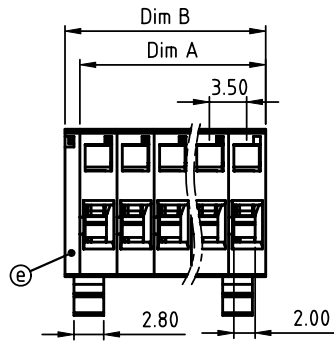


|                |         |
|----------------|---------|
| PRODUCT NUMBER | PITCH   |
| NDxx10x000J0G  | 3.50 mm |



RECOMMENDED P.C.B LAYOUT  
TOP VIEW

Material:

- Item ③ Insulator (Body): Thermoplastic (UL94V-0)
- Item ④ Insulator (Lever): Thermoplastic (UL94V-0) Orange (RAL2001/P)
- Item ⑤ Spring clamp: Stainless Steel
- Item ⑥ Female Contact: PhBz(CuSn), Tin plated
- Item ⑦ Insulator (Cover): Thermoplastic (UL94V-0)

Electrical cULus

- Voltage rating: 300VAC
- Current rating: 8A
- Solid wire(AWG): 16-26
- Stranded wire(AWG): 16-26
- Wire strip length: 7-8mm
- Withstanding Voltage: 1.6KV
- Size of the PCB: 1.6±0.2mm
- Operating temperature: -40°C to +115°C

|                 |
|-----------------|
| Dim A=N×3.5     |
| Dim B=N×3.5+1.4 |

N=Number of poles

| POLES   | Tolerance |
|---------|-----------|
| 2p-6p   | ±0.15     |
| 7p-12p  | ±0.20     |
| 13p-18p | ±0.30     |
| 19p-24p | ±0.35     |

PART NO.: ND xx 1 0 x 0 00J0 G

| End stackable | No. of poles | Color             | RoHS compliant (lead<4%)<br>In copper Alloy |
|---------------|--------------|-------------------|---|
| 0             | 2            | Black (RAL9005)   |   |
| 02            | 2 poles      | Red (RAL3001/D)   |   |
| 03            | 3 poles      | Orange(RAL2011/P) |   |
| 04            | 4 poles      | Yellow(RAL1018/A) |   |
| 05            | 5 poles      | Green(RAL6018/T)  |   |
| 06            | 6 poles      | Blue (RAL5015/A)  |   |
| 08            | 8 poles      | Grey(RAL7035/D)   |   |
| 09            | 9 poles      | White(RAL1102)    |   |
| 0C            | 24 poles     | Green(RAL6018/U)  |   |

|                                       |                |                       |                         |                          |  |
|---------------------------------------|----------------|-----------------------|-------------------------|--------------------------|--|
| mat'l. code                           |                | surface<br>ASME Y14.5 | tolerance<br>ASME Y14.5 | projection               | product family<br>TERMINAL BLOCK                                     |
| ltr                                   | ecn no         | dr                    | date                    | <br>MM                   | title<br>TERMINAL BLOCK<br>SPRING CLAMP,PCB CONNECTOR,PLUGGABLE PLUG |
| tolerances unless otherwise specified |                |                       |                         |                          |  |
| angles                                |                | X.±0.5                |                         |                          | dwg no<br>NDxx10x000J0G<br>sheet 1 of 1 size<br>A4                   |
| X°±1'                                 |                | X.XX±0.1              |                         |                          |  |
| dr                                    | ENGR           | ENGR                  | APPD                    |                          |  |
| EVIN ZHONG                            | 052014         | EVIN ZHONG            | 052014                  |                          |  |
| chr                                   | HANKE FENG     |                       | 052014                  | type<br>CUSTOMER Drawing |  |
| appd                                  | SHI JUN        |                       | 052014                  |                          |  |
| sheet index                           | revision sheet | A 1                   |                         |                          |  |