



ISL Products International

**ø59mm Worm Gear Motor
Left Side Gearbox
MOT-I-81556-106**

Online ID#:

WGM-59-24-50-L

Our Worm Gear Motors are an excellent automation solution providing right angle output with self-braking technology. They are equipped to handle varying loads and are best for intermittent duty operation. With endless performance combinations, we have the gear motor for your next application.

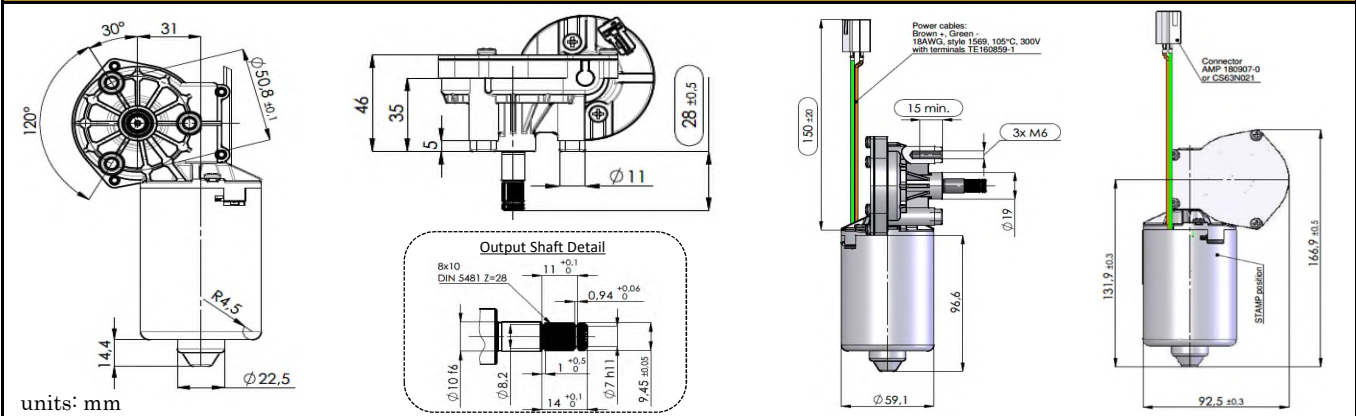


Contact Us for alternative solutions!

Specifications

Gearhead Type:	Worm - Left side	No-Load Speed:	51 rpm (+/- 10%)
Motor Type:	Carbon - Brushed	No-Load Current:	< 600 mA
Rated Voltage:	24V DC	Stall Torque:	509 kg.cm
Rated Speed:	44 rpm	Max. Power:	66 W
Rated Torque:	73 kg.cm	Termination Style:	Connector: AMP 180907-0

Dimensions



Performance Curve

