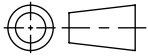
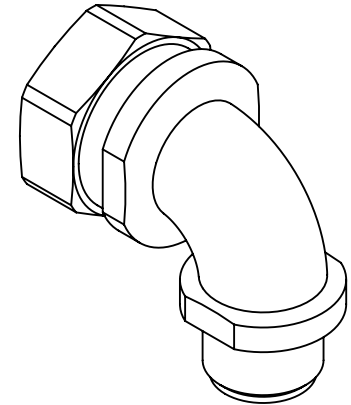
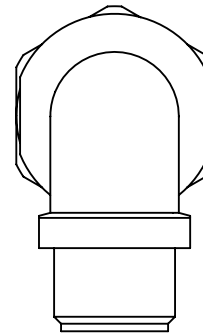
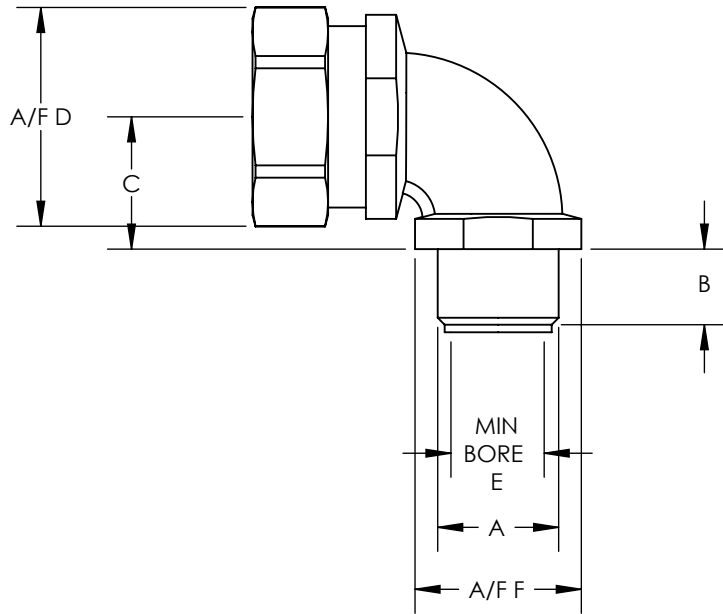


SW2014



Revision level			Revision Record	Changed	Date	Approved	Date
Drawing	State	Part					
00.0	Design Release		SEE ECN# 013639	GRW	12/1/2016	KAC	12/1/2016



Conduit Size		HellermannTyton Part Number	Manufacturer Reference Number	Metric Thread	Dimension (mm)									
in.	mm			A	B		C		D		E		F (A/F)	
5/16	12.0	LTP12-M16-C90	LTP12-M16-C90	M16 X 1.5	0.39	10.0	0.69	17.5	0.87	22.0	0.34	8.6	0.79	20.0
3/8	16.0	LTP16-M16-C90	LTP16-M16-C90	M16 X 1.5	0.39	10.0	0.69	17.5	1.02	26.0	0.42	10.7	0.79	20.0
3/8	16.0	LTP16-M20-CUL90	LTP16-M20-CUL90	M20 X 1.5	0.51	13.0	0.79	20.0	1.02	26.0	0.42	10.7	0.94	24.0
1/2	20.0	LTP20-M20-CUL90	LTP20-M20-CUL90	M20 X 1.5	0.51	13.0	0.79	20.0	1.14	29.0	0.57	14.5	0.94	24.0
3/4	25.0	LTP25-M25-CUL90	LTP25-M25-CUL90	M25 X 1.5	0.55	14.0	1.00	25.3	1.38	35.0	0.71	18.0	1.18	30.0
1	32.0	LTP32-M32-CUL90	LTP32-M32-CUL90	M32 X 1.5	0.59	15.0	1.22	31.0	1.65	42.0	0.97	24.6	1.42	36.0
1-1/4	40.0	LTP40-M40-CUL90	LTP40-M40-CUL90	M40 X 1.5	0.71	18.0	1.53	38.9	2.05	52.0	1.29	32.7	1.81	46.0
1-1/2	50.0	LTP50-M50-CUL90	LTP50-M50-CUL90	M50 X 1.5	0.71	18.0	1.91	48.5	2.28	58.0	1.48	37.7	2.24	57.0
2	63.0	LTP63-M63-CUL90	LTP63-M63-CUL90	M63 X 1.5	0.79	20.0	2.44	61.8	2.76	70.0	1.93	49.0	2.83	72.0

- NOTES:
- OPERATING TEMPERATURE
-58° F TO +275° F (-50° C TO +135° C)
 - RoHS
 - HF
 - IP RATING IP68 + IP67 + IP68 + IP69
 - FITS WITH UL360 SIZES
 - FLAMMABILITY SELF-EXTINGUISHING
(EN 61386)
 - UL LISTED TO UL514B
 - PULL-OFF TENSILE STRENGTH 265 LBS
(120KG)

Material
NICKEL PLATED BRASS
& POLYAMIDE 6

Units: **inches**
Dimension without
tolerances details to:
.xxxx = ±.0005
.xxx = ±.005
.xx = ±.01
.x = ±.03
None = ±.06
∠ = ±0.5°
Dimension Formatted in[mm]

The copyright of this
drawing is reserved by
HellermannTyton. It is
issued on condition that it is
not reproduced, copied, or
disclosed to a third party,
either wholly or in part,
without the consent of
HellermannTyton.

Drawn GRW 12/1/2016
Approved KAC 12/1/2016

HellermannTyton
North America
Email: corp@htamericas.com
Web: www.hellermann.tyton.com

Article/Type-No LTP-C90 SERIES
Title **HELAGUARD FIXED THREAD 90 DEGREE
ELBOW COMPRESSION FITTING FOR LTP
METALLIC CONDUIT WITH LIQUID-TIGHT COVER**
Drawing-No PRODUCTION : Phase
16-1970-001-CSU

Scale
Project Number PRP 16-1970
Format AH
Sheet 1/1