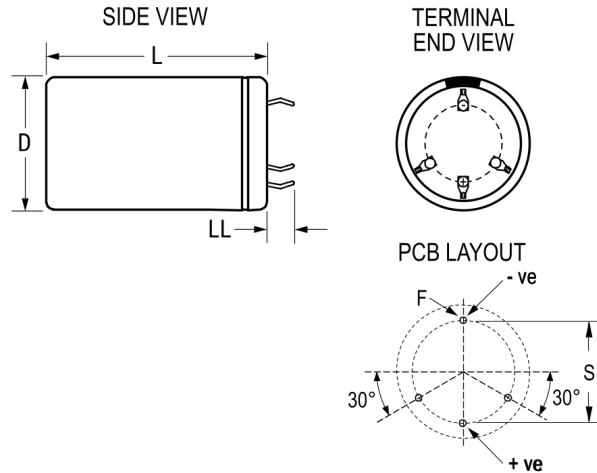


ALC80E221EB500

Aliases (A547HD221M500E)

ALC80, Aluminum Electrolytic, 220 uF, 20%, 500 VDC, -40/+105°C



Click [here](#) for the 3D model.

Dimensions

D	40mm +1mm
L	30mm +/-2mm
S	22.5mm +/-0.1mm
LL	4mm +/-1mm
F	2mm +/-0.1mm

Packaging Specifications

Sleeving	Yes
Packaging	Bulk, Bag

General Information

Series	ALC80
Dielectric	Aluminum Electrolytic
Description	Snap-In, Aluminum Electrolytic
RoHS	Yes
Lead	4 Pin Short
AEC-Q200	No
Halogen Free	Yes
Component Weight	55 g
Notes	Dimensions D And L Include Sleeving.
Shelf Life	156 Weeks

Specifications

Capacitance	220 uF
Capacitance Tolerance	20%
Voltage DC	500 VDC, 550 VDC (Surge)
Temperature Range	-40/+105°C
Rated Temperature	105°C
Life	9000 Hrs (Rated Voltage and Ripple Current at 105C), 14000 Hrs (Rated Voltage at 105C)
Resistance	791.4 mOhms (100Hz 20C), 549.4 mOhms (10kHz 20C)
Ripple Current	1.836 Amps (100Hz 105C), 4.403 Amps (10kHz 105C)
Leakage Current	330 uA (5min 20°C)