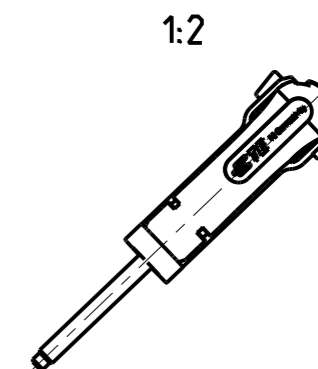
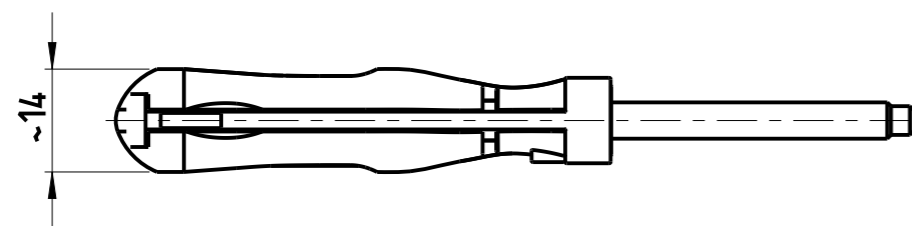
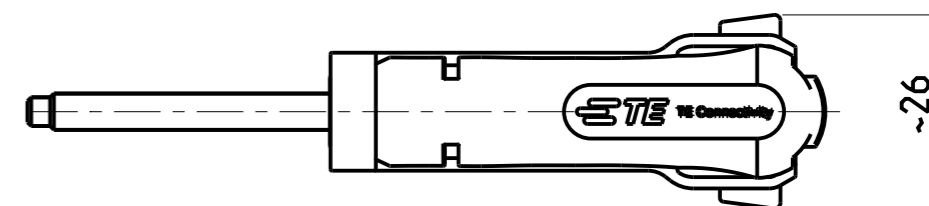
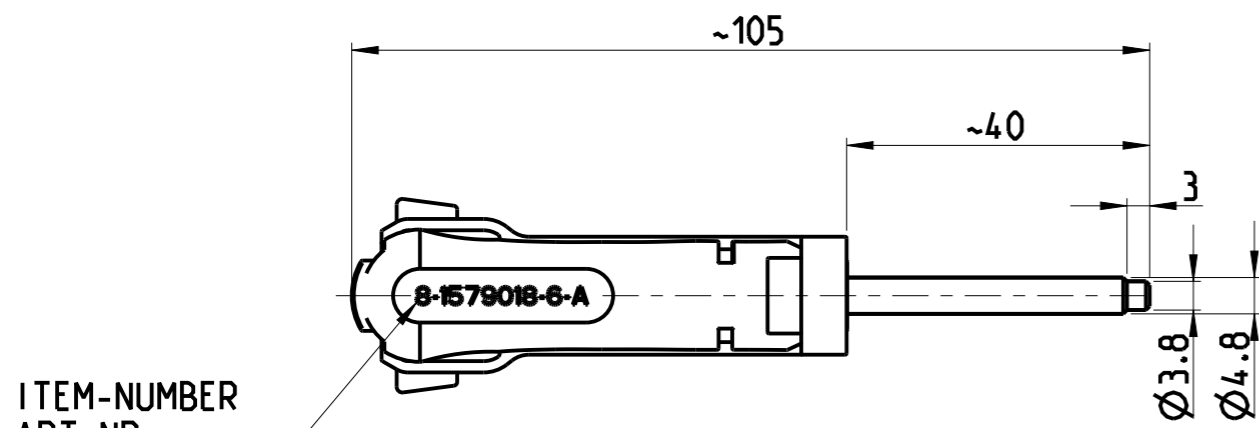


REVISIONS

P	LTR	DESCRIPTION	DATE	DWN	APVD
	A	INITIAL REVISION	20SEP2011	RG	GS
	A1	ECR-20-017979	02FEB2021	PNT	GS



Application range / Anwendungsbereich

For insert the cavity plug P/N 963143-1 into housing P/N 1801600.

THIS DRAWING IS A CONTROLLED DOCUMENT.		DWN R. Germann 20SEP2011			
DIMENSIONS: mm		CHK G. Stegmayer 20SEP2011			
TOLERANCES UNLESS OTHERWISE SPECIFIED:		APVD G. Stegmayer 20SEP2011	NAME Insertion tool Eindrueckwerkzeug		
		PRODUCT SPEC	RESTRICTED TO		
MATERIAL		APPLICATION SPEC	SIZE A3	CAGE CODE 00779	DRAWING NO C-8-1579018-6
FINISH		WEIGHT 0.017	-		
		CUSTOMER DRAWING	SCALE 1:1	SHEET 1 OF 1	REV A1