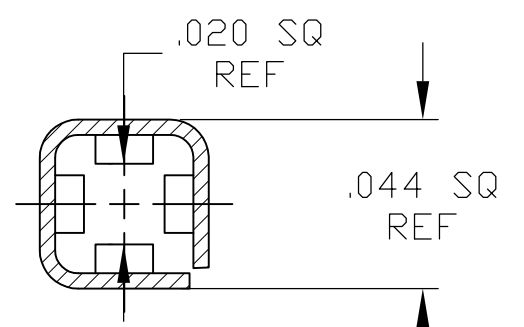
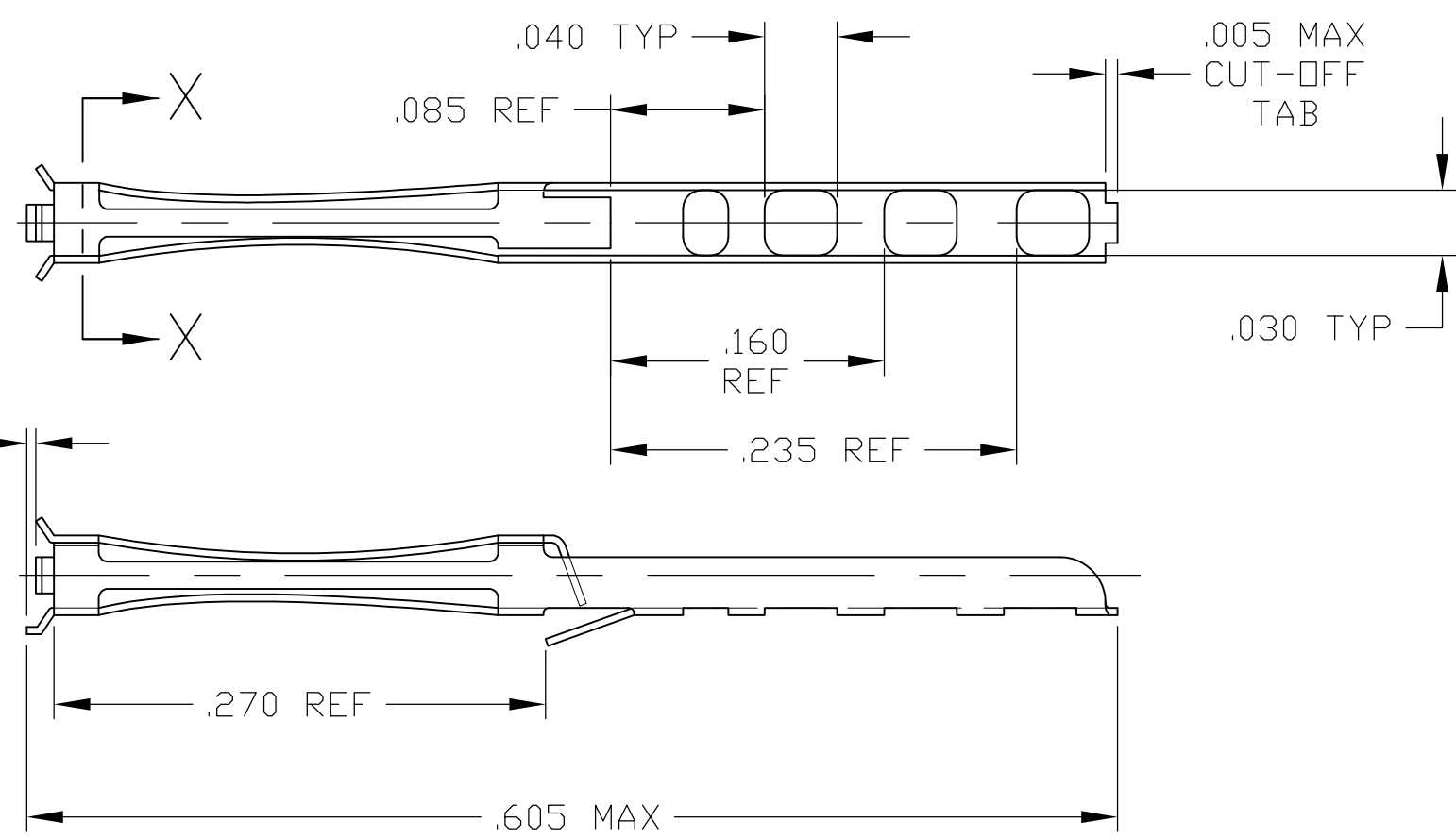


THIS DRAWING IS UNPUBLISHED. RELEASED FOR PUBLICATION
 © COPYRIGHT - By - ALL RIGHTS RESERVED.

LOC	DIST	REVISIONS			
P	LTR	DESCRIPTION	DATE	DWN	APVD
	G	REV PER ECO 14-008136	5-30-14	CT	RL



SECTION X-X
SCALE 20:1

- 1 MAT'L: BERYLLIUM COPPER PER ASTM-B-194.
- 2 MAT'L: COPPER-NICKEL-SILICON PER UNS C70260.
- 3 FINISH: .000030 GOLD PER ASTM-B-488 OVER .000030 NICKEL PER AMS-QQ-N-290 IN CONTACT AREA 60/40 TIN-LEAD OVER NICKEL IN TAIL AREA.
- 4 FINISH: .000050 GOLD PER ASTM-B-488 OVER .000030 NICKEL PER AMS-QQ-N-290 OVER ENTIRE CONTACT.
- 5 FINISH: .000050 GOLD PER ASTM-B-488 OVER .000030 NICKEL PER AMS-QQ-N-290 IN CONTACT AREA 60/40 TIN-LEAD OVER NICKEL IN TAIL AREA.

	5	2	583218-6
	4	2	583218-5
	3	2	583218-4
SUPERSEDED BY 583218-6	5	1	583218-3
SUPERSEDED BY 583218-5	4	1	583218-2
OBSOLETE	3	1	583218-1
	FINISH	MATERIAL	PART NO.

THIS DRAWING IS A CONTROLLED DOCUMENT.		DWN C.C.THOMAS 14OCT2005	TE Connectivity		
DIMENSIONS: INCHES		CHK D.MILLER 10-17-05			
TOLERANCES UNLESS OTHERWISE SPECIFIED:		APVD D.MILLER 10-17-05	PRODUCT SPEC		
0 PLC ± - 1 PLC ± - 2 PLC ± - 3 PLC ± .005 4 PLC ± - ANGLES ± -		APPLICATION SPEC		SIZE A3	CAGE CODE 00779
MATERIAL SEE TABLE		FINISH SEE TABLE		DRAWING NO C-583218	RESTRICTED TO -
CUSTOMER DRAWING			WEIGHT -	SCALE 10:1	SHEET 1 OF 1
			REV G		