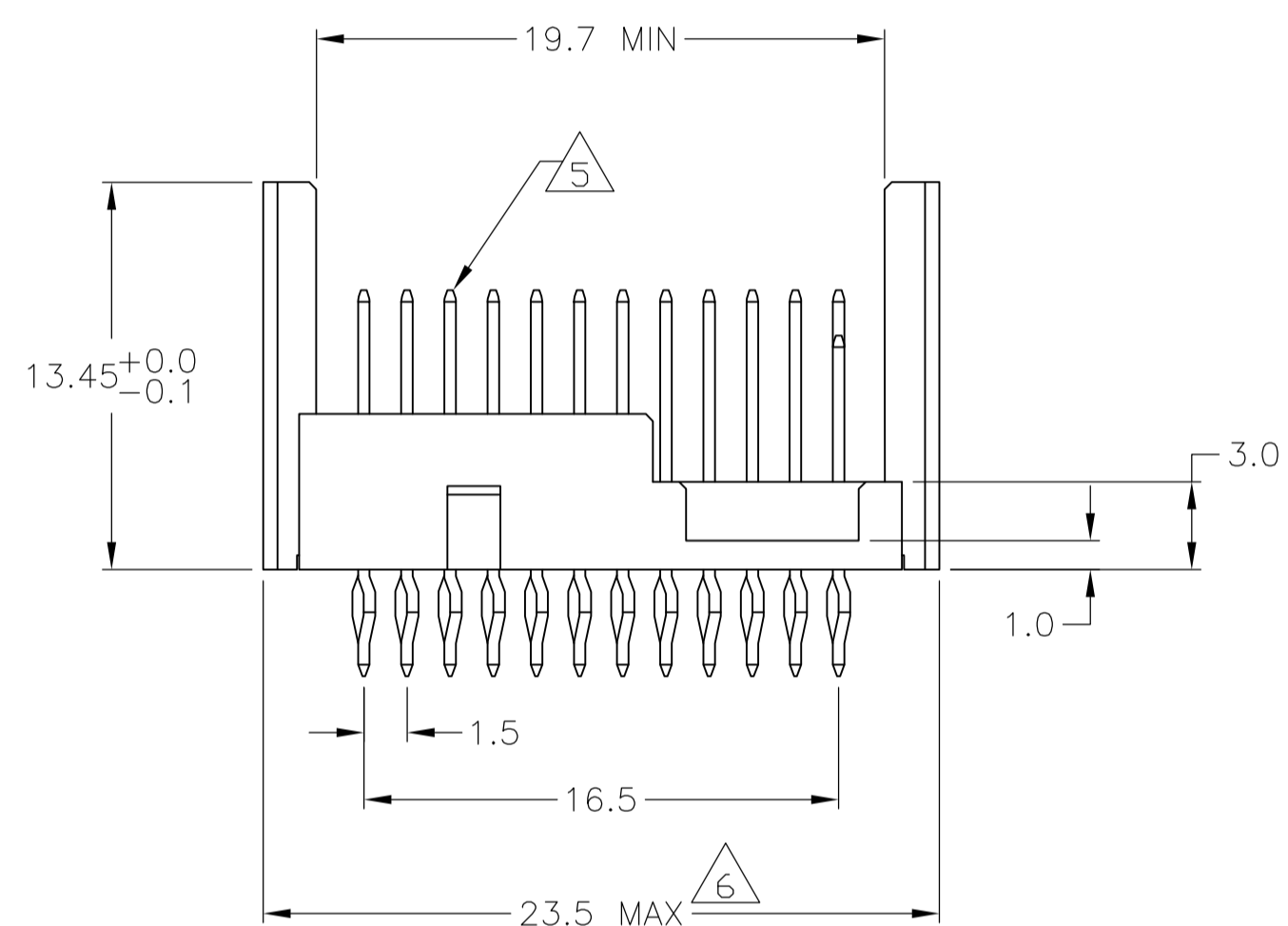
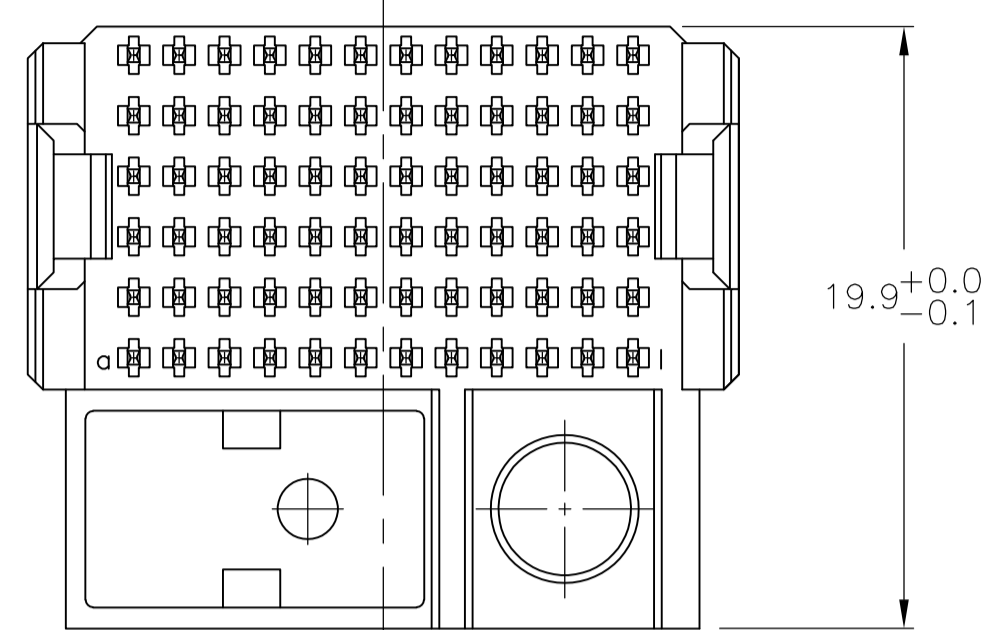
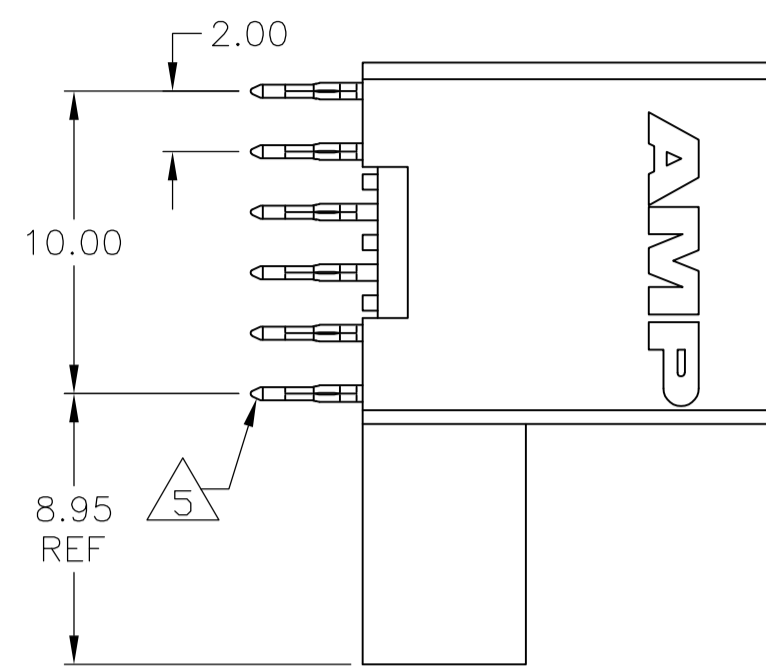
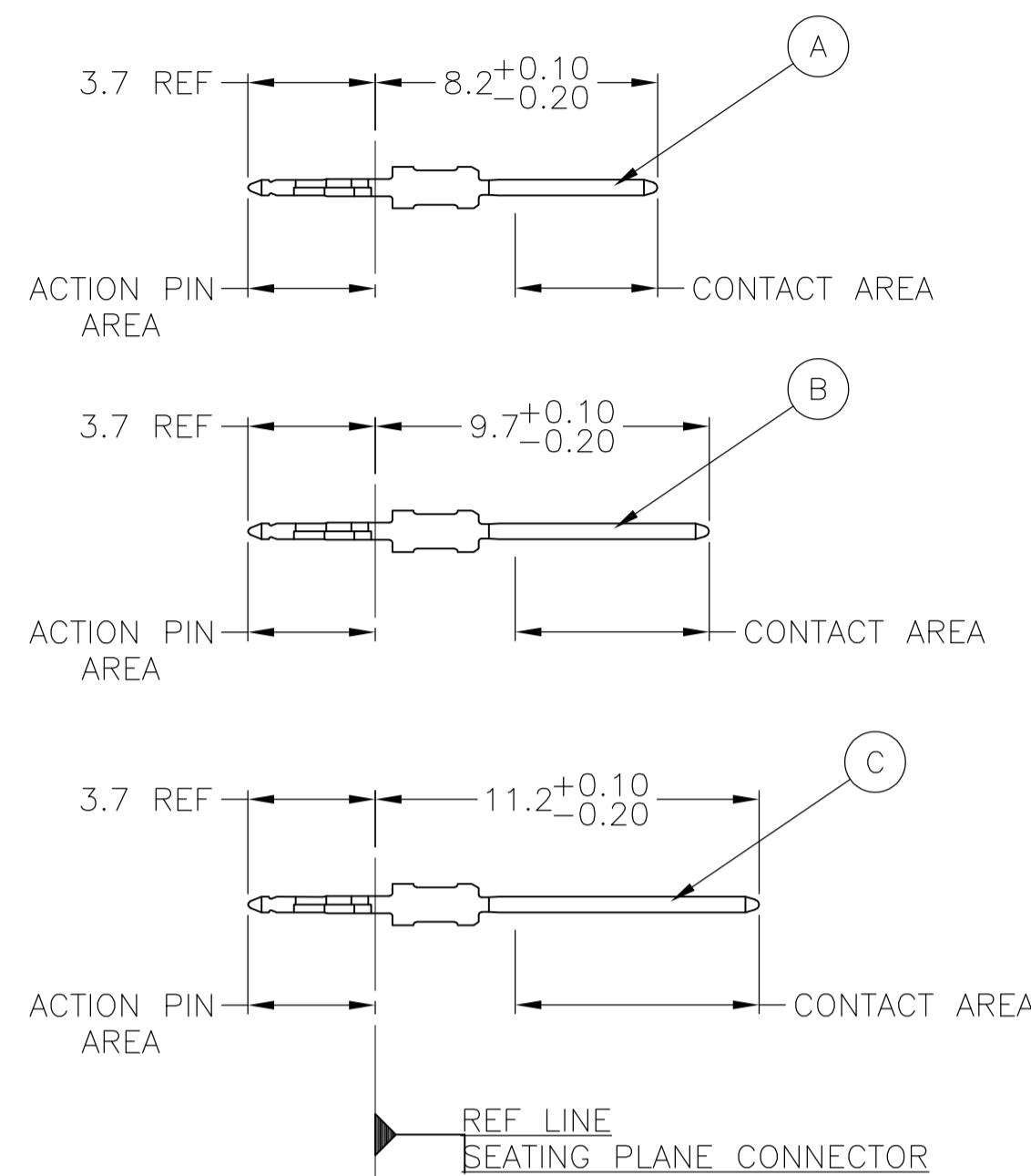


CONNECTOR ASSEMBLY EXAMPLARY LOADED $\triangle 4$

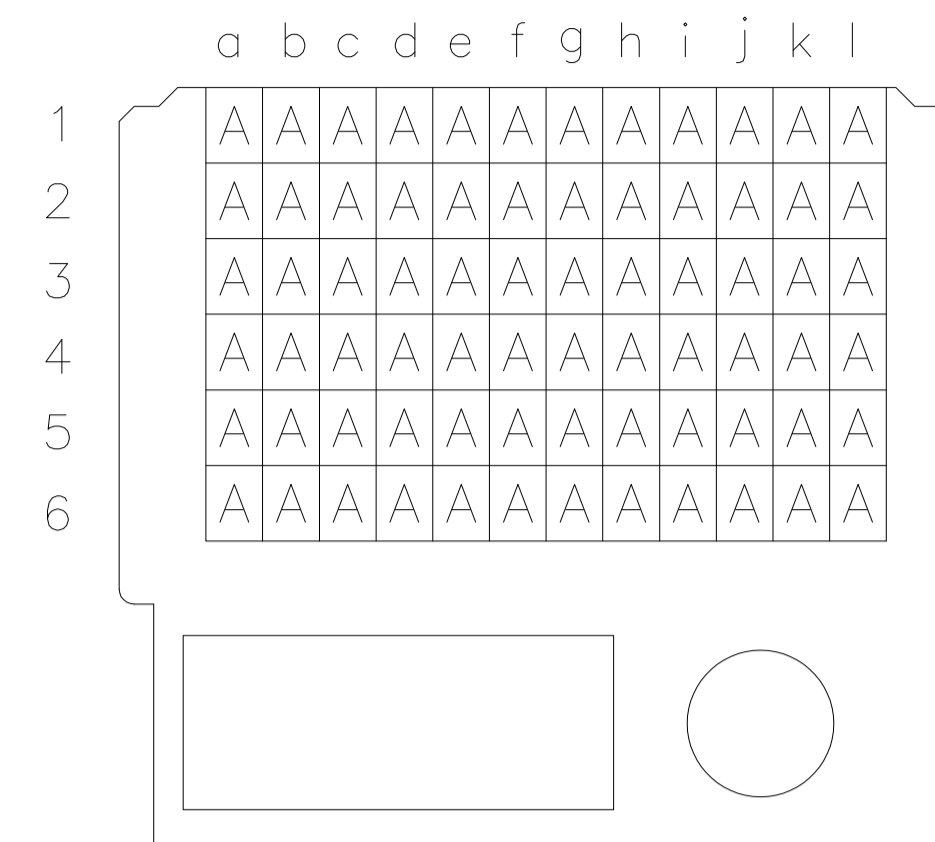


CONTACT DIMENSIONS

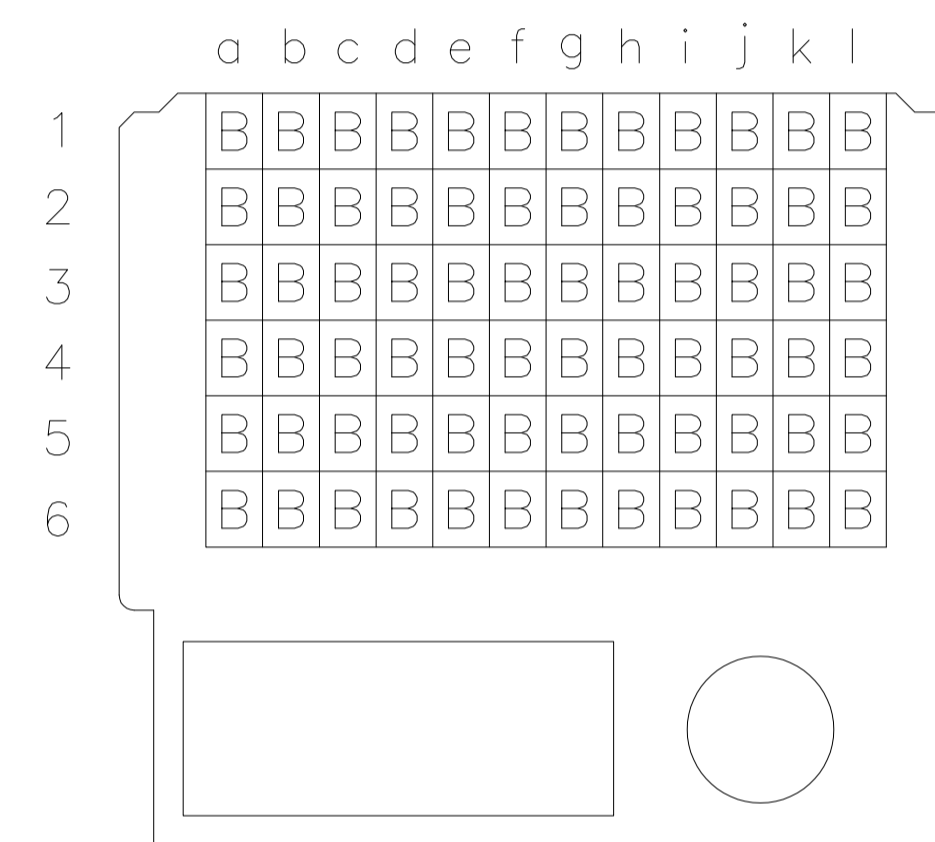
SCALE 5:1



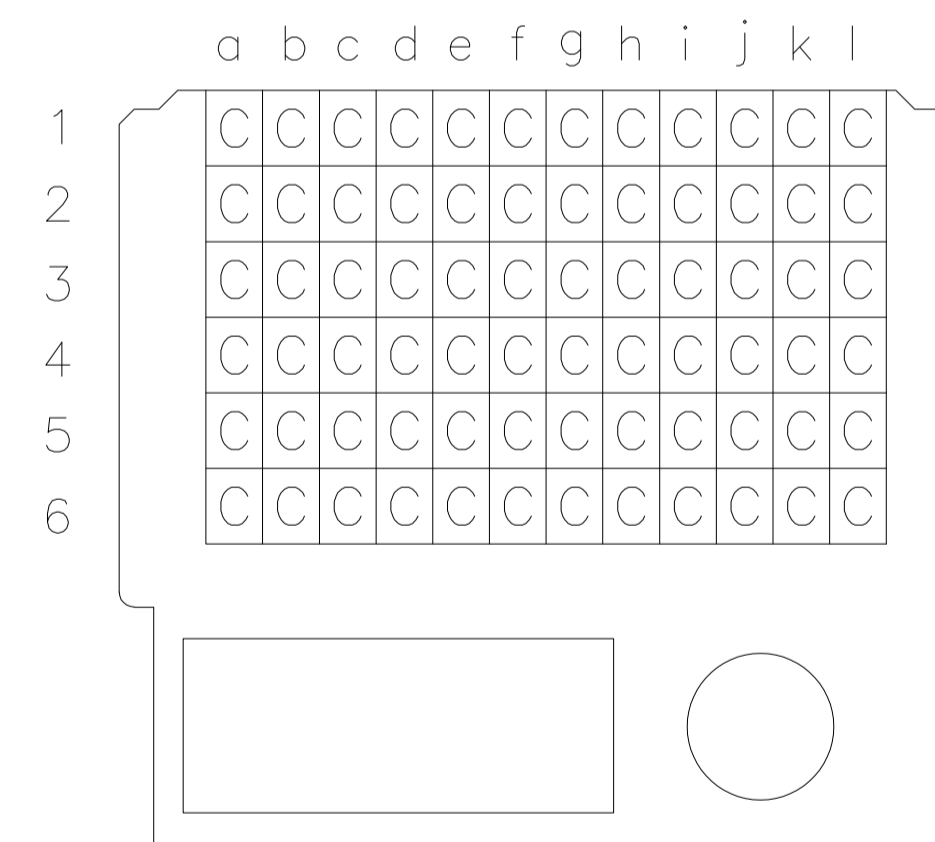
CONTACT LAYOUT



5120642-1 AS SHOWN



$\triangle 10$ 5120642-2 AS SHOWN

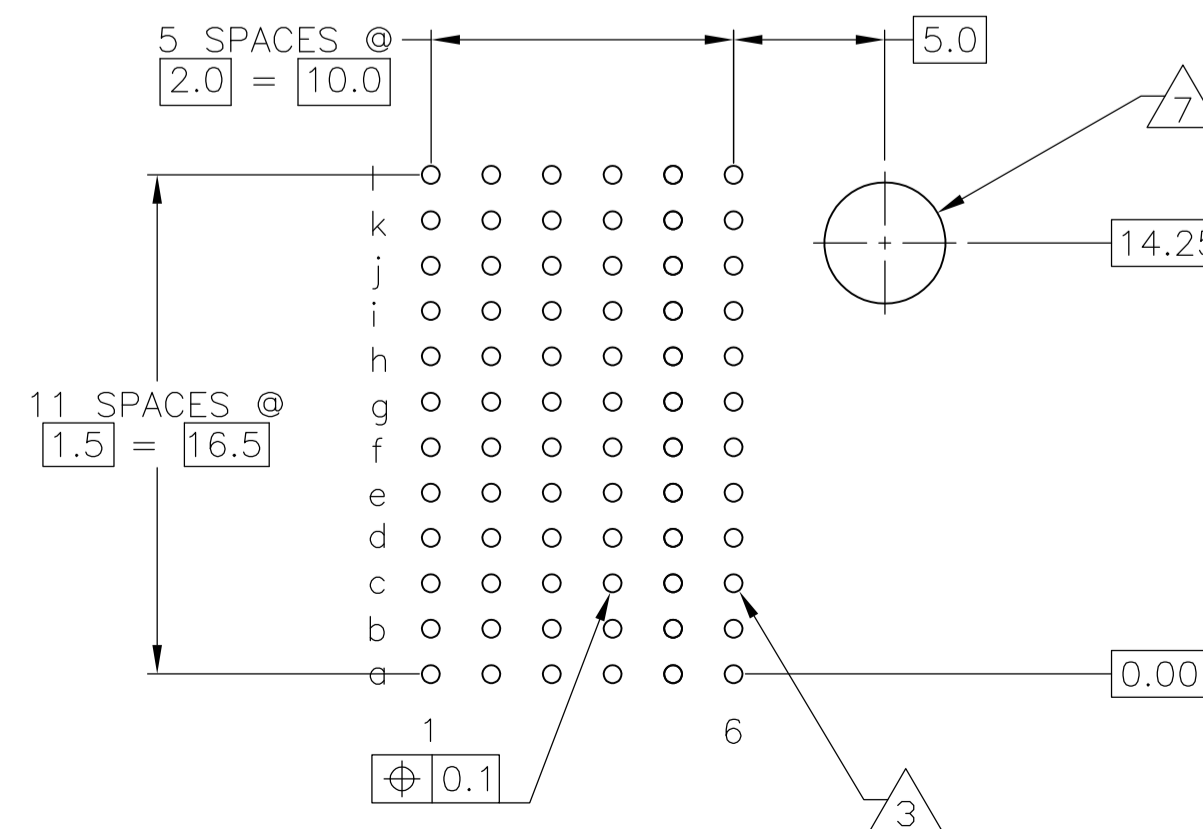


5120642-3 AS SHOWN

RECOMMENDED PCB-HOLE LAYOUT COMPONENT SIDE SHOWN

PLATED THRU HOLES PARAMETERS

REFERENCE APPLICATION SPECIFICATION



- $\triangle 1$ CONFORMS TO ALL TESTING ACCORDING TO IEC 61076-4-101 PERFORMANCE LEVEL 2.
- $\triangle 2$ MATERIAL:
CONTACT: PHOSPHOR BRONZE.
HOUSING: GLASS-FILLED POLYESTER.
- $\triangle 3$ PLATED-THROUGH HOLES AT 2x2mm SQUARE GRID PATTERN DEFINED BY CONTACT LAYOUT.
- $\triangle 4$ FOR ACTUAL PIN LOADING SEE "CONTACT LAYOUT".
- $\triangle 5$ FOR ACTUAL PIN DIMENSIONS SEE "CONTACT DIMENSIONS".
- $\triangle 6$ TO BE MEASURED AT BOTTOM OF SHROUD.
- $\triangle 7$ GUIDE PIN HOLE DIAMETER CLEARANCE DEFINED BY CHOICE OF GUIDE PIN.
- 8. KEY AND ALIGNMENT PIN ASSEMBLED BY END USER AT APPLICATION.
- $\triangle 9$ GENERAL PLATING SPECIFICATION: UNDERPLATING (ENTIRE CONTACT): 1.27 μ m MIN NICKEL AND ACTION PIN: 0.5 μ m MIN TIN. FOR PLATING OF MATING SURFACES SEE APPLICABLE SPECIFICATION REFERENCE FOR EACH DASH NUMBER
- $\triangle 10$ OBSOLETE PARTS: OBSOLETE CIS STREAMLINING PER D.RENAUD/D.SINISI

THIS DRAWING IS A CONTROLLED DOCUMENT.		DIN B. CARBO 01JUN05		Tyco Electronics Corporation Harrisburg, PA 17105-3608	
DIMENSIONS: mm		TOLERANCES UNLESS OTHERWISE SPECIFIED:		APPROVED: G. SKIPPER 01JUN05	
0-PLC ±		±0.2		NAME: MALE ASSEMBLY, Z-PACK 2mm HM, LEFT HAND, 12 ROW	
1-PLC ±		±0.2		APPLICATION SPEC: 108-1738	
2-PLC ±		±0.2		SIZE: A1	
3-PLC ±		±0.2		CAGE CODE: 00779	
4-PLC ±		±0.2		DRAWING NO: 5120642	
ANGLES: ±		±0.2		RESTRICTED TO: -	
MATERIAL: $\triangle 2$		FINISH: $\triangle 1$ $\triangle 9$		CUSTOMER DRAWING	
WEIGHT: -		SCALE: 4:1		SHEET 1 OF 1	
REV: -		REV: -		REV: -	