

Electronic housing - UM100-PROFIL 200CM - 2906319

Please be informed that the data shown in this PDF Document is generated from our Online Catalog. Please find the complete data in the user's documentation. Our General Terms of Use for Downloads are valid (<http://phoenixcontact.com/download>)

Profile housing and board base, with a constructional width of 100 mm and a fixed length of 200 cm



RoHS

Key Commercial Data

| | |
|--------------|---------------|
| Packing unit | 1 pc |
| GTIN | |
| GTIN | 4017918277451 |

Technical data

General

| | |
|------------------|---------------------|
| Housing type | Panel mounting base |
| Housing material | PVC |
| Color (RAL) | green |

Ambient conditions

| | |
|---------------------------------|------------------|
| Ambient temperature (operation) | -15 °C ... 50 °C |
|---------------------------------|------------------|

Dimensions

| | |
|--------|----------|
| Length | 2 m |
| Width | 2000 mm |
| Depth | 122.6 mm |

Standards and Regulations

| | |
|--|----|
| Flammability rating according to UL 94 | V0 |
|--|----|

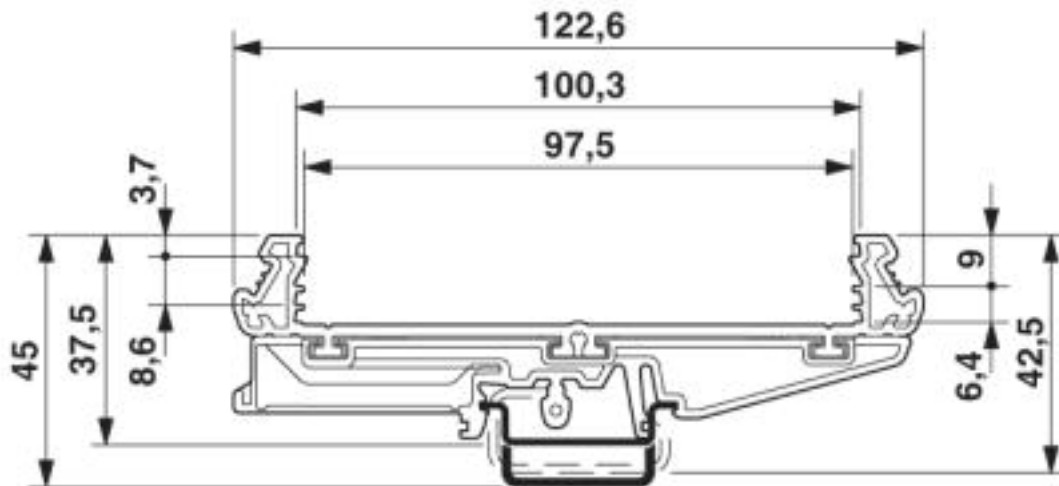
Environmental Product Compliance

| | |
|------------|---|
| China RoHS | Environmentally friendly use period: unlimited = EFUP-e |
| | No hazardous substances above threshold values |

Drawings

Electronic housing - UM100-PROFIL 200CM - 2906319

Dimensional drawing



Approvals

Approvals

Approvals

EAC

Ex Approvals

Approval details

| | | |
|-----|--|---------|
| EAC | | B.01742 |
|-----|--|---------|

Phoenix Contact 2019 © - all rights reserved
<http://www.phoenixcontact.com>

PHOENIX CONTACT GmbH & Co. KG
Flachsmarktstr. 8
32825 Blomberg
Germany
Tel. +49 5235 300
Fax +49 5235 3 41200
<http://www.phoenixcontact.com>