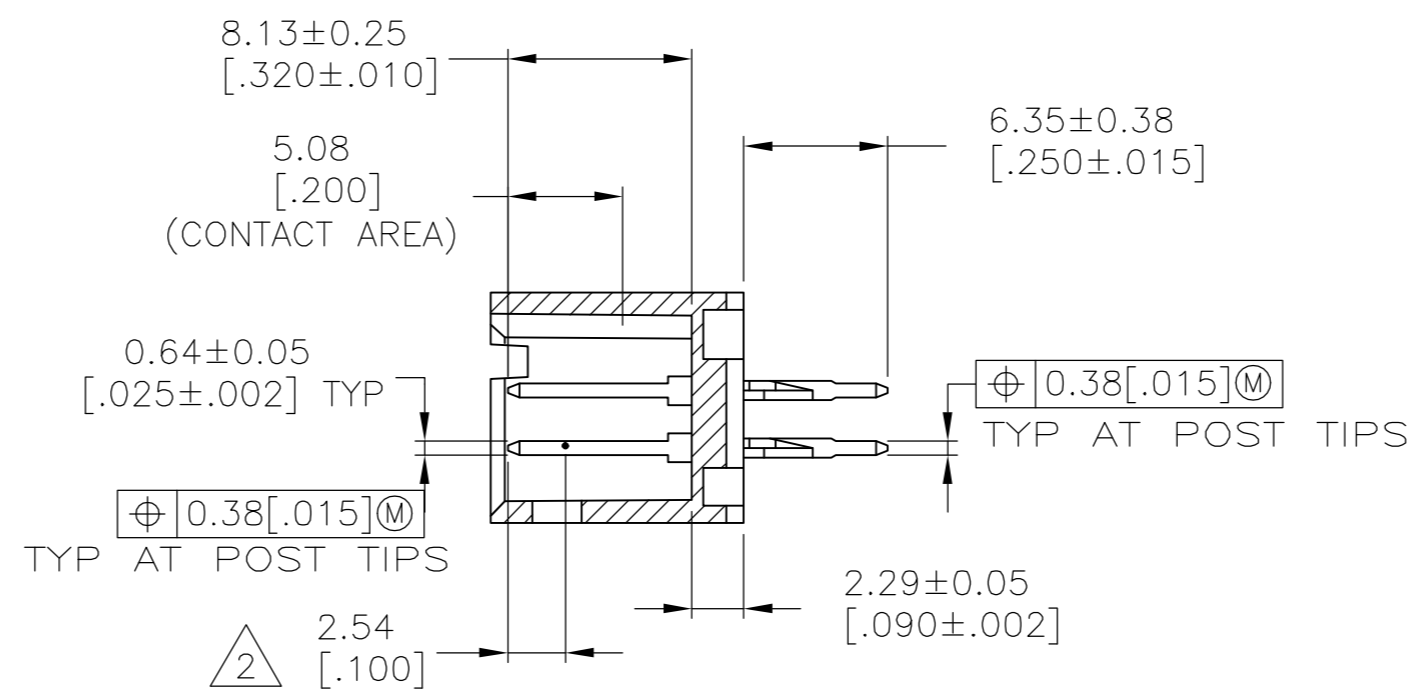
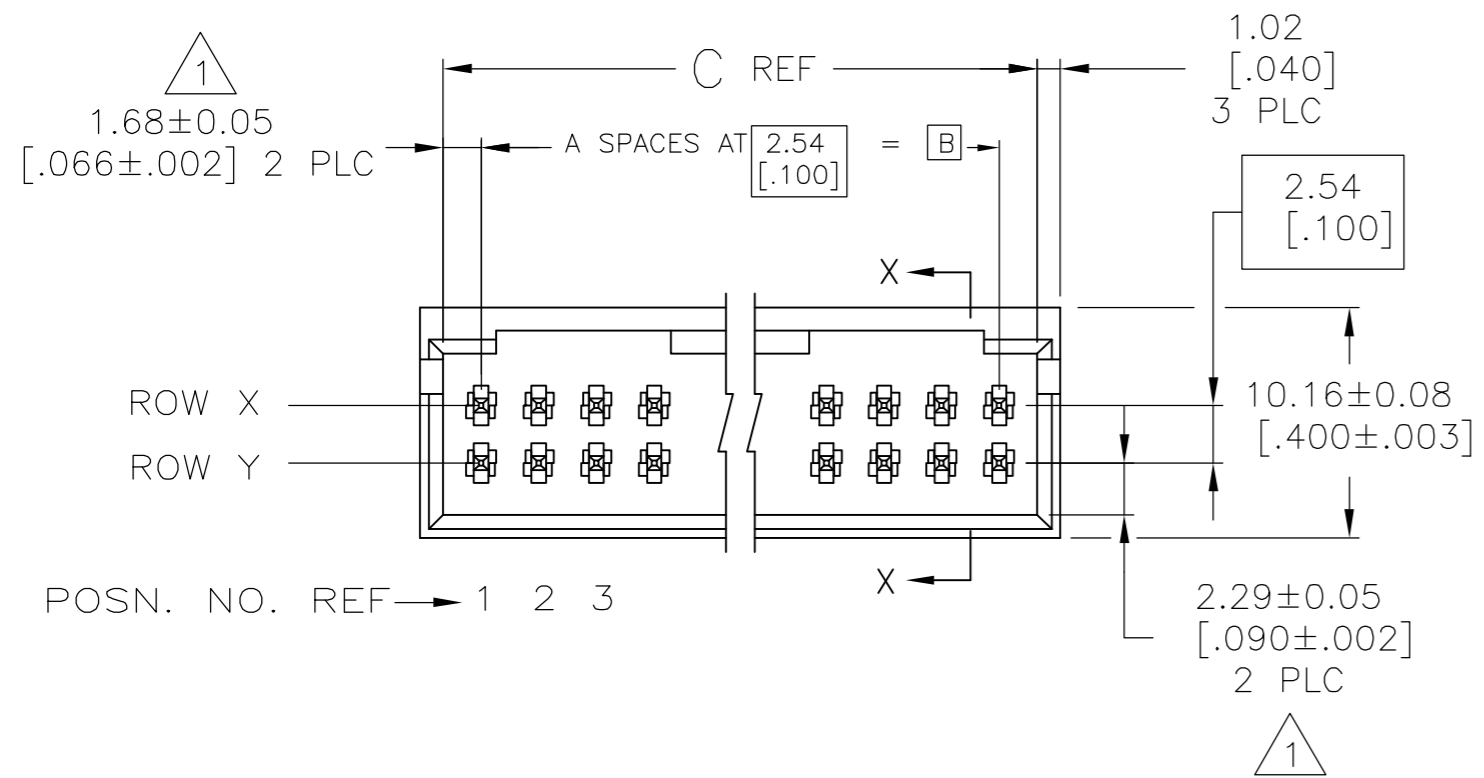
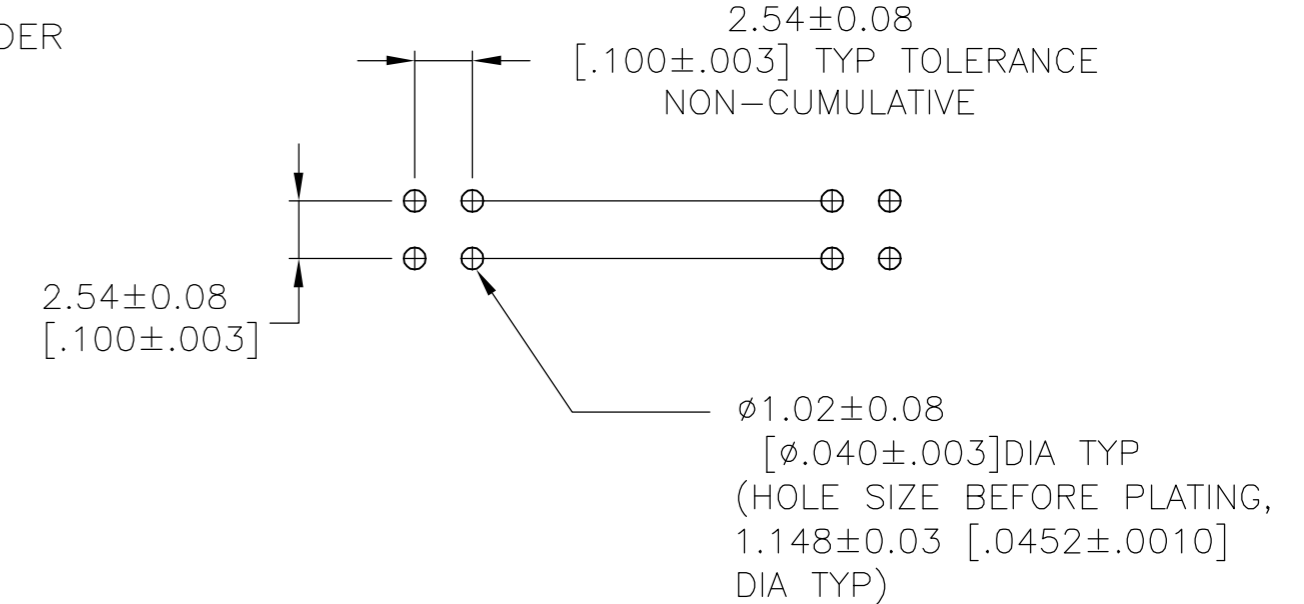
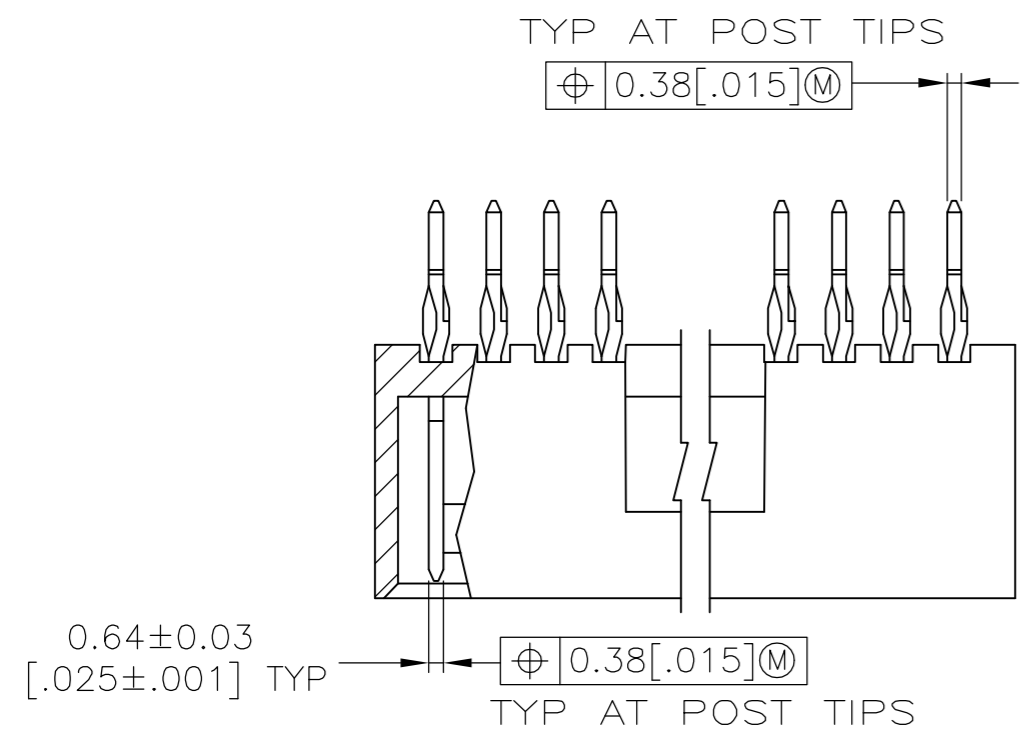


THIS DRAWING IS UNPUBLISHED. RELEASED FOR PUBLICATION
 © COPYRIGHT BY TYCO ELECTRONICS CORPORATION. ALL RIGHTS RESERVED.

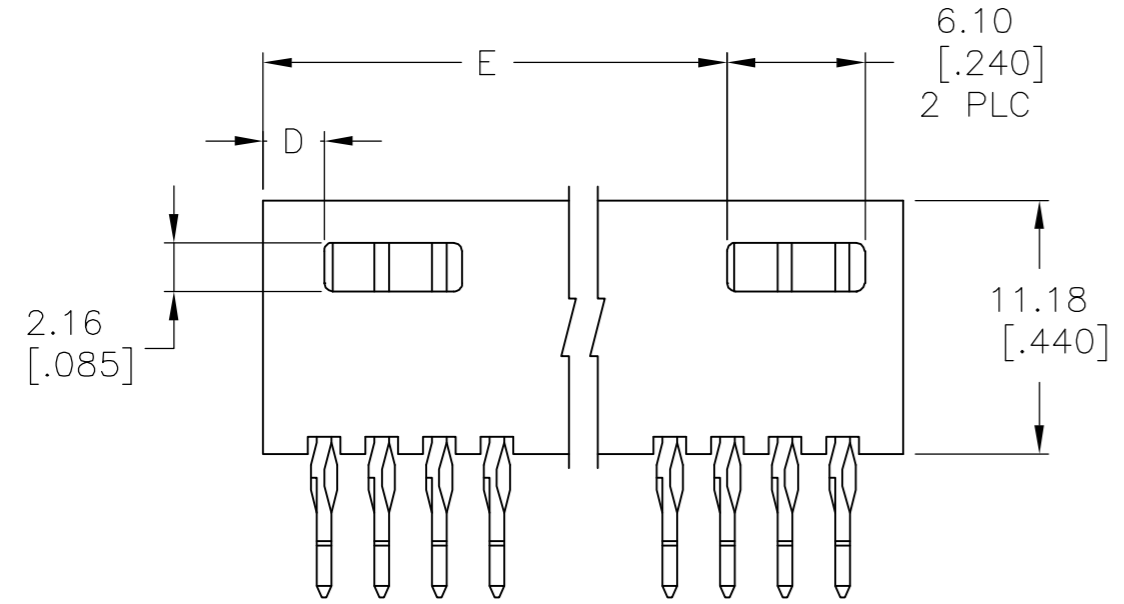
LOC		DIST		REVISIONS				
AD	00	P	LTR	DESCRIPTION	DATE	DWN	APVD	
		C		EC 0G3C 0224 05	04MAY05	BSV	JLG	

- 1 THE NOTED DIMENSIONS APPLY AT THE INTERSECTION OF THE POST AND HOUSING
- 2 POINT OF MEASUREMENT FOR PLATING THICKNESS
- 3 HOUSING: FLAME RETARDANT THERMOPLASTIC, COLOR-BLACK
- 4 POSTS: CU-NI-SN
- 5 POSTS: 0.000762 [.000030] GOLD ON CONTACT AREA, 0.00254-0.00508 [.000100-.000200] MATTE TIN LEAD ON SOLDER TAIL, ALL OVER 0.00127 [.000050] NICKEL.
- 6 POSTS: 0.000762 [.000030] GOLD ON CONTACT AREA, 0.00254-0.00508 [.000100-.000200] MATTE TIN ON SOLDER TAIL, ALL OVER 0.00127 [.000050] NICKEL.



RECOMMENDED HOLE LAYOUT

SECTION X-X



PLATING	ROW Y	ROW X	E	D	C	B	A	NO OF POSN	ASSEMBLY PART NUMBER
6	5,15,20,25	8,13	58.57 [2.306]	2.69 [1.06]	64.31 [2.532]	60.96 [2.400]	24	50	5-147078-4
6	1,6,11,21	13,18	58.57 [2.306]	2.69 [1.06]	64.31 [2.532]	60.96 [2.400]	24	50	5-147078-3
6	9	9,10	20.47 [.806]	2.69 [1.06]	26.21 [1.032]	22.86 [.900]	9	20	5-147078-2
6	2,4,9	2,4,9	20.47 [.806]	2.69 [1.06]	26.21 [1.032]	22.86 [.900]	9	20	5-147078-1
5	5,15,20,25	8,13	58.57 [2.306]	2.69 [1.06]	64.31 [2.532]	60.96 [2.400]	24	50	147078-4
5	1,6,11,21	13,18	58.57 [2.306]	2.69 [1.06]	64.31 [2.532]	60.96 [2.400]	24	50	147078-3
5	9	9,10	20.47 [.806]	2.69 [1.06]	26.21 [1.032]	22.86 [.900]	9	20	147078-2
5	2,4,9	2,4,9	20.47 [.806]	2.69 [1.06]	26.21 [1.032]	22.86 [.900]	9	20	147078-1
POSTS OMITTED									

THIS DRAWING IS A CONTROLLED DOCUMENT.

DWN B. HAYMAKER 18AUG98	 Tyco Electronics Corporation Harrisburg, Pa 17105-3608
CHK J. GESFORD 18AUG98	
APVD J. GESFORD 18AUG98	
NAME J. GESFORD	

PRODUCT SPEC: _____
 APPLICATION SPEC: _____
 WEIGHT: -

SIZE: A2 CAGE CODE: 00779 DRAWING NO: C=147078 RESTRICTED TO: -

CUSTOMER DRAWING SCALE: 3:1 SHEET 1 OF 1 REV C