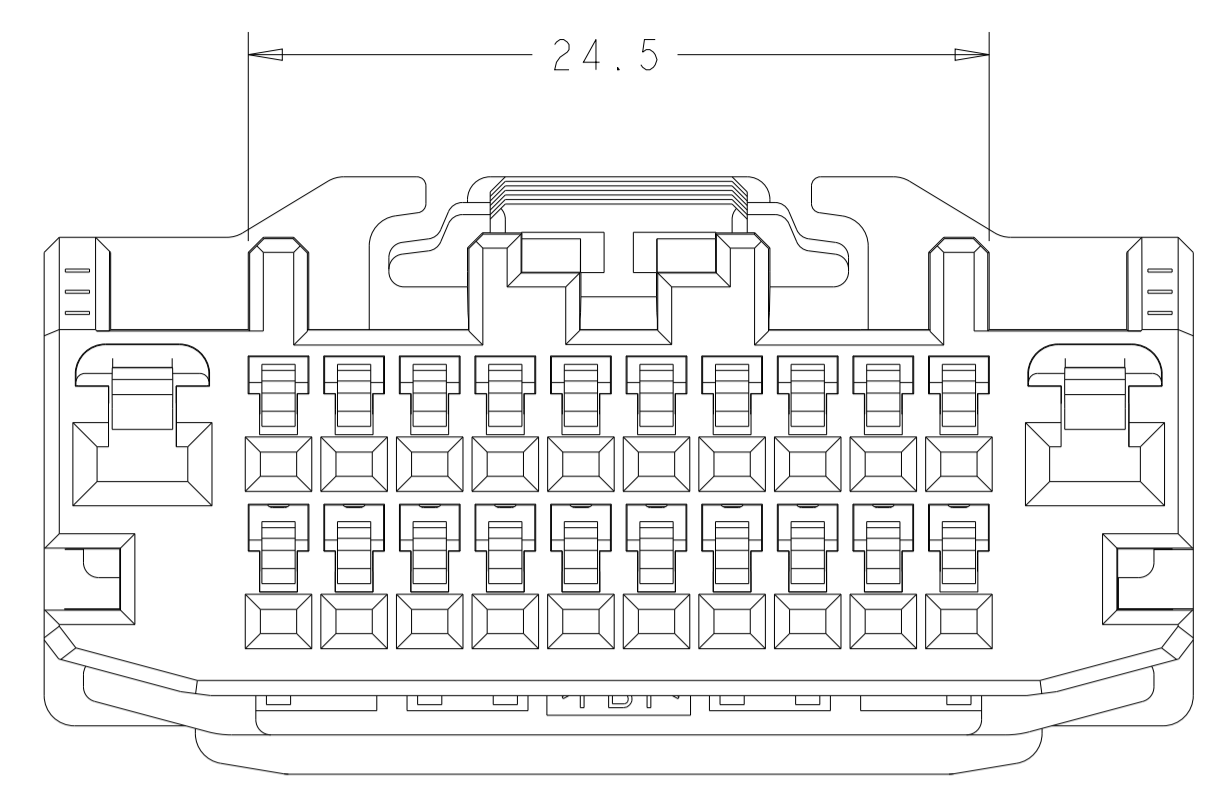
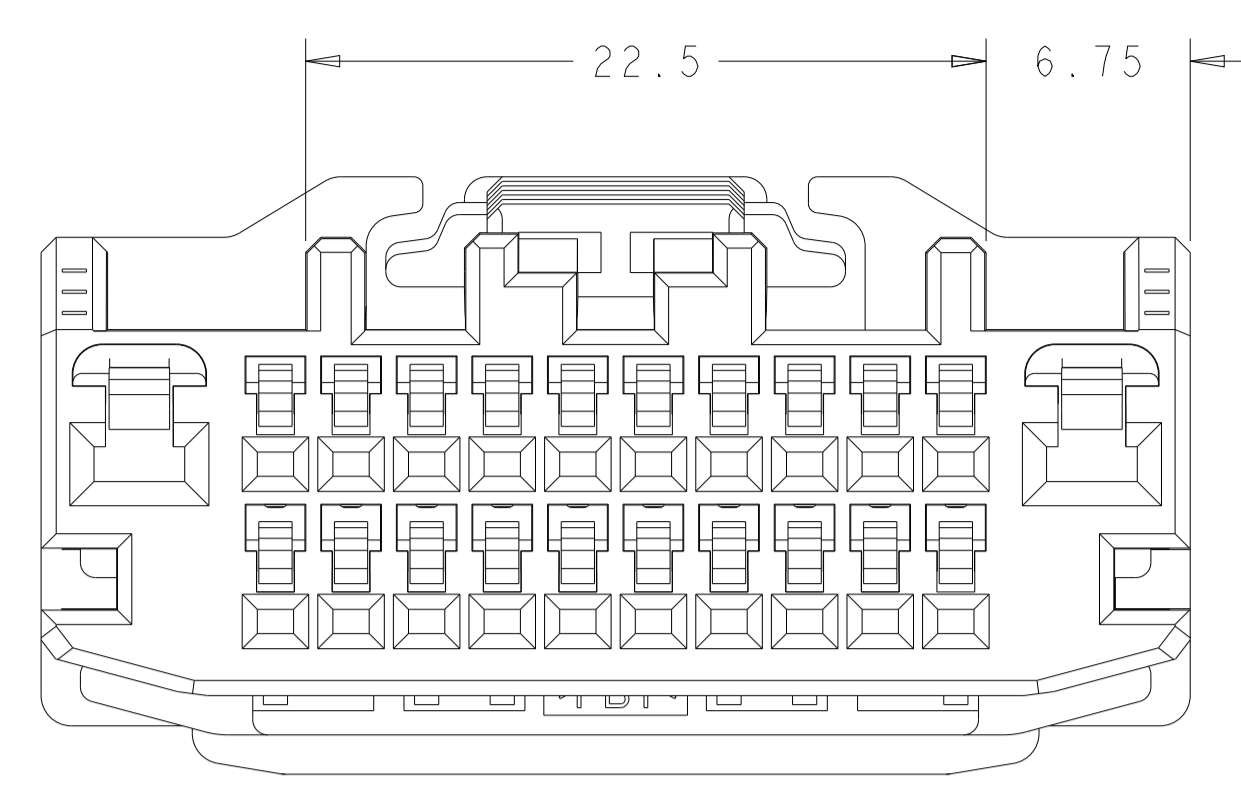


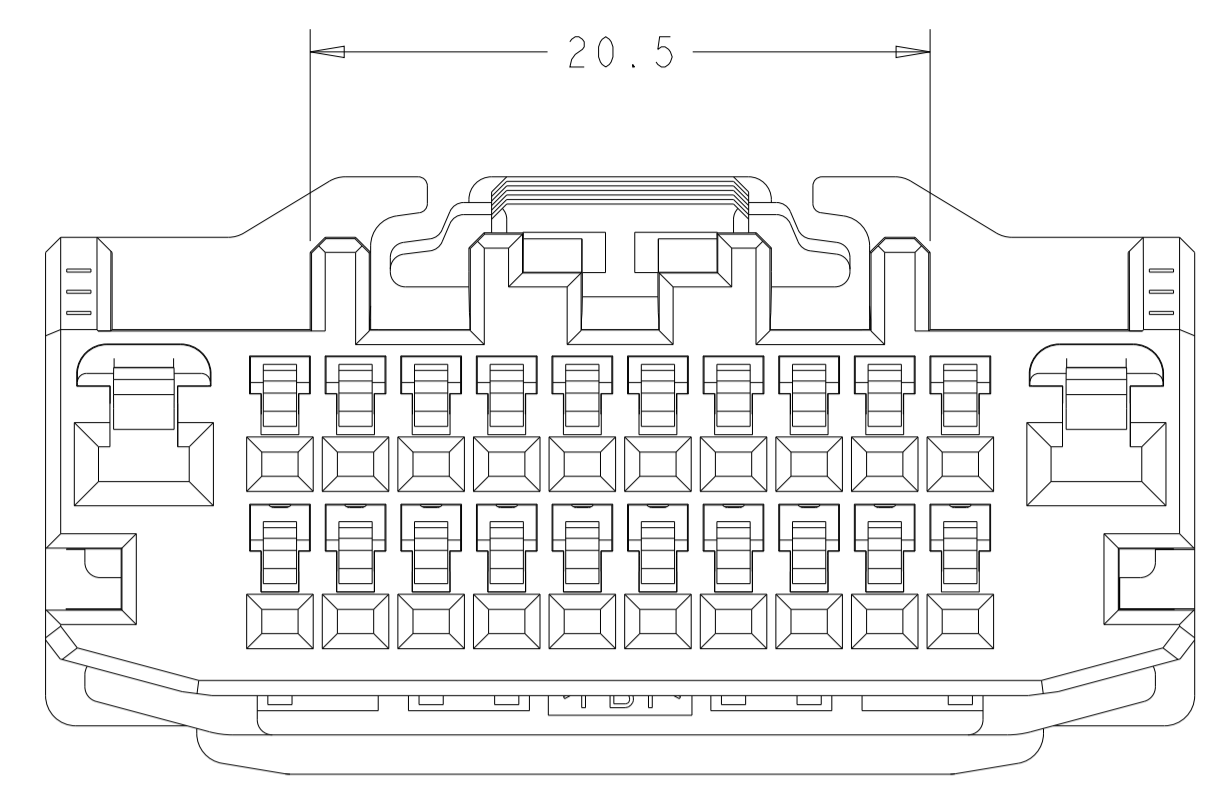
REVISIONS				
P	LTN	DESCRIPTION	DATE	APVD
E		REVISED PER ECO-14-00xxxx	24JAN2014	DD SA
E1		REVISED PER ECN-22-137482, ECN-22-138779	03FEB2022	MC DW



1438759-1
KEY "B"
WHITE

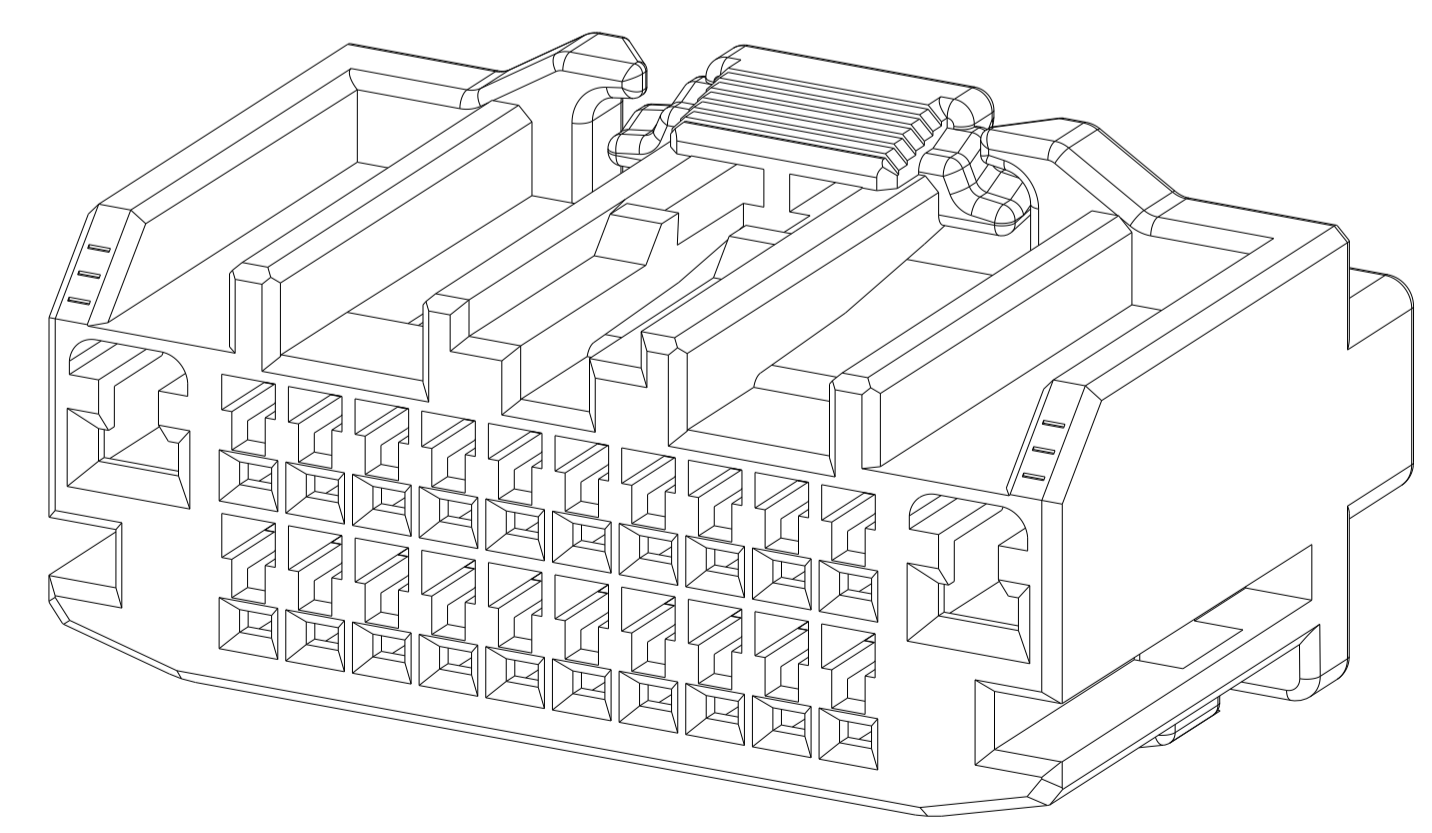
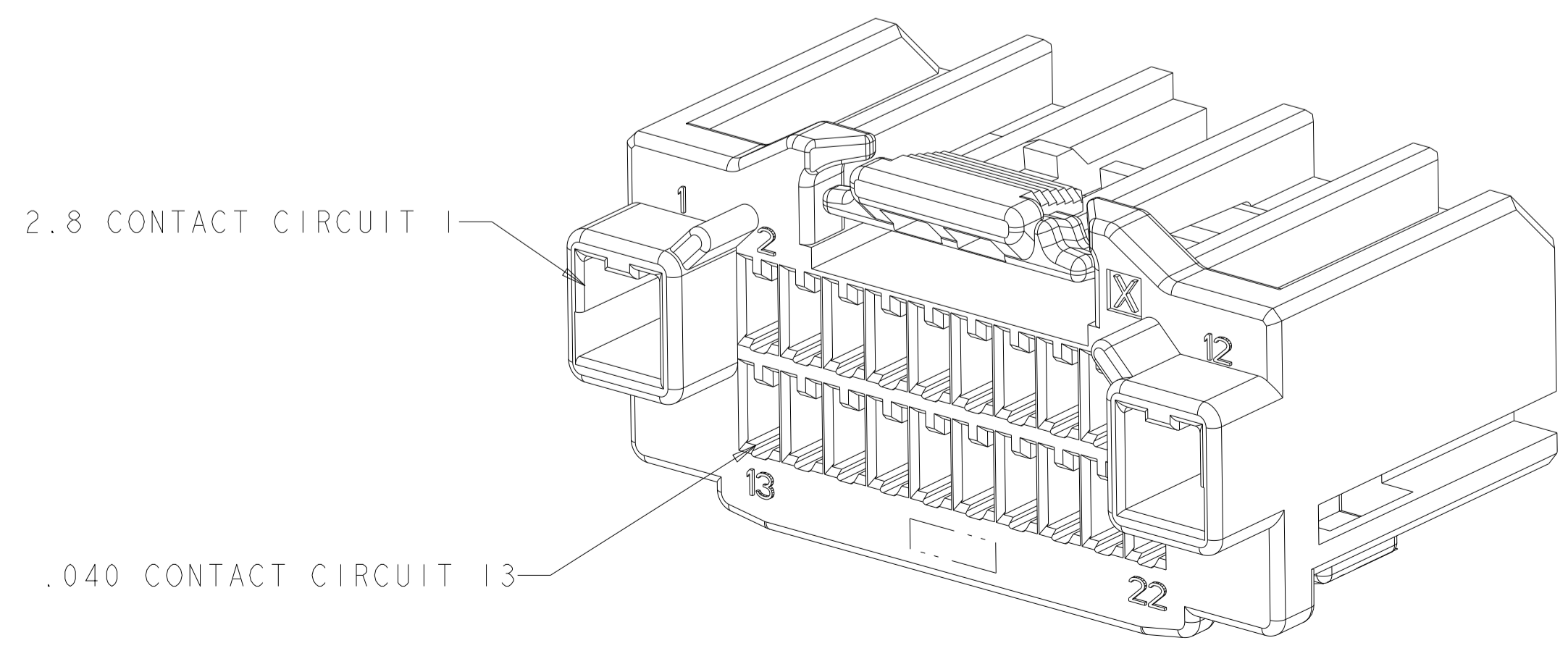
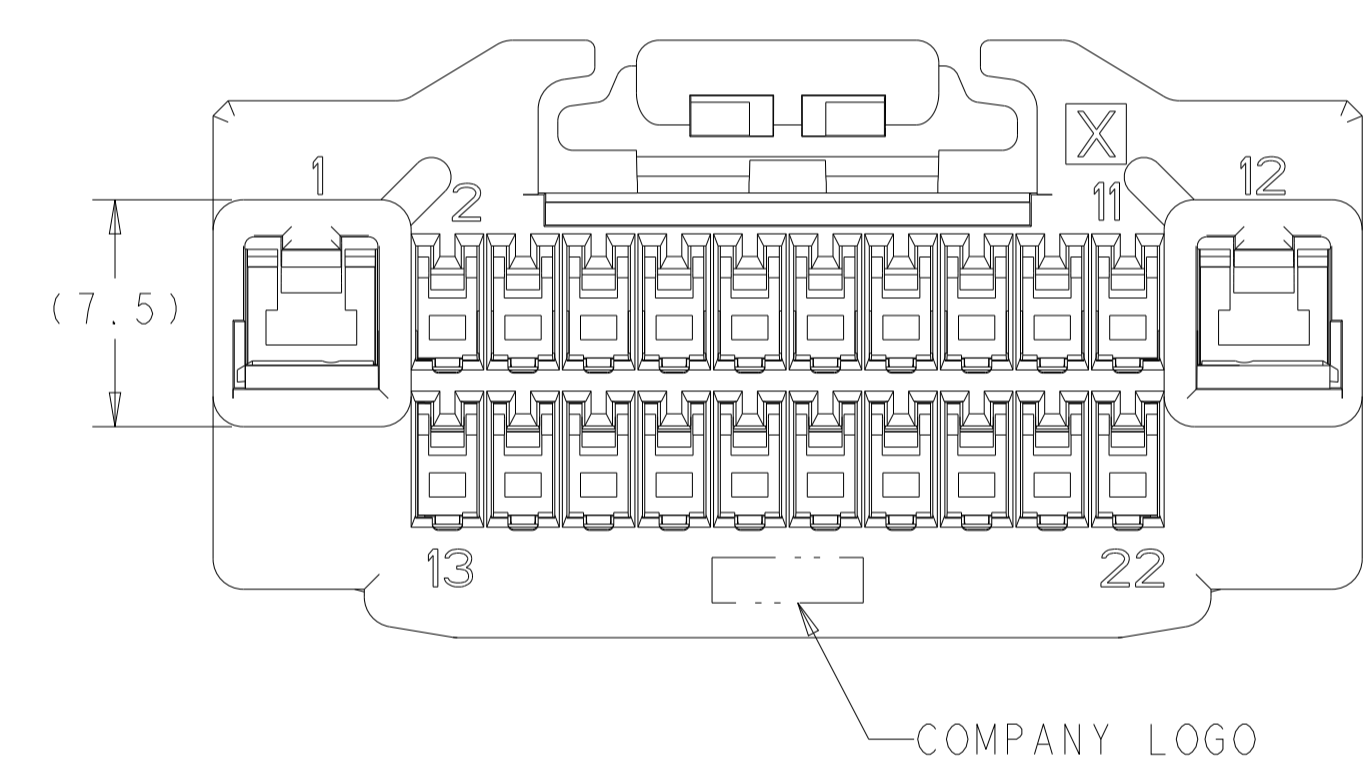
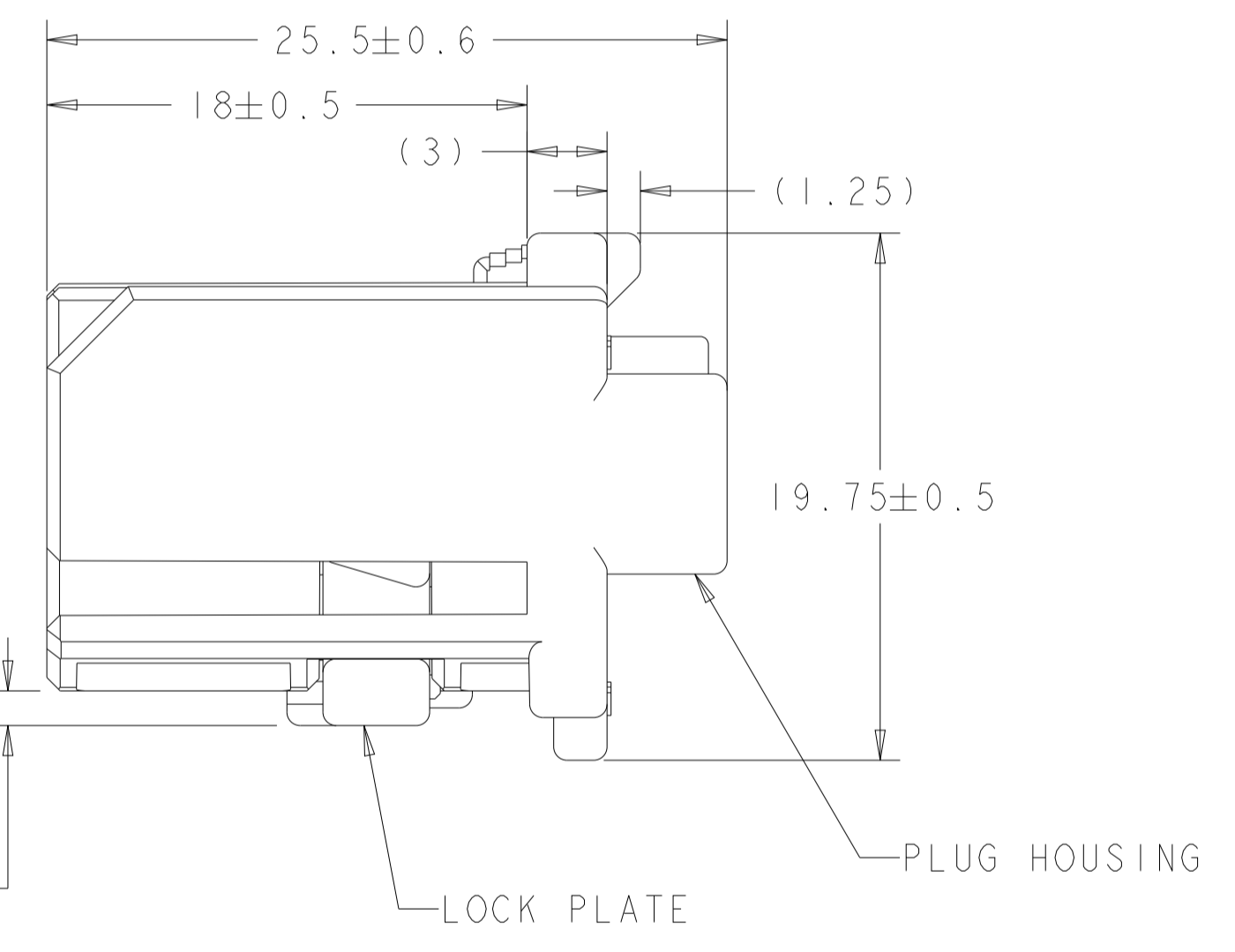
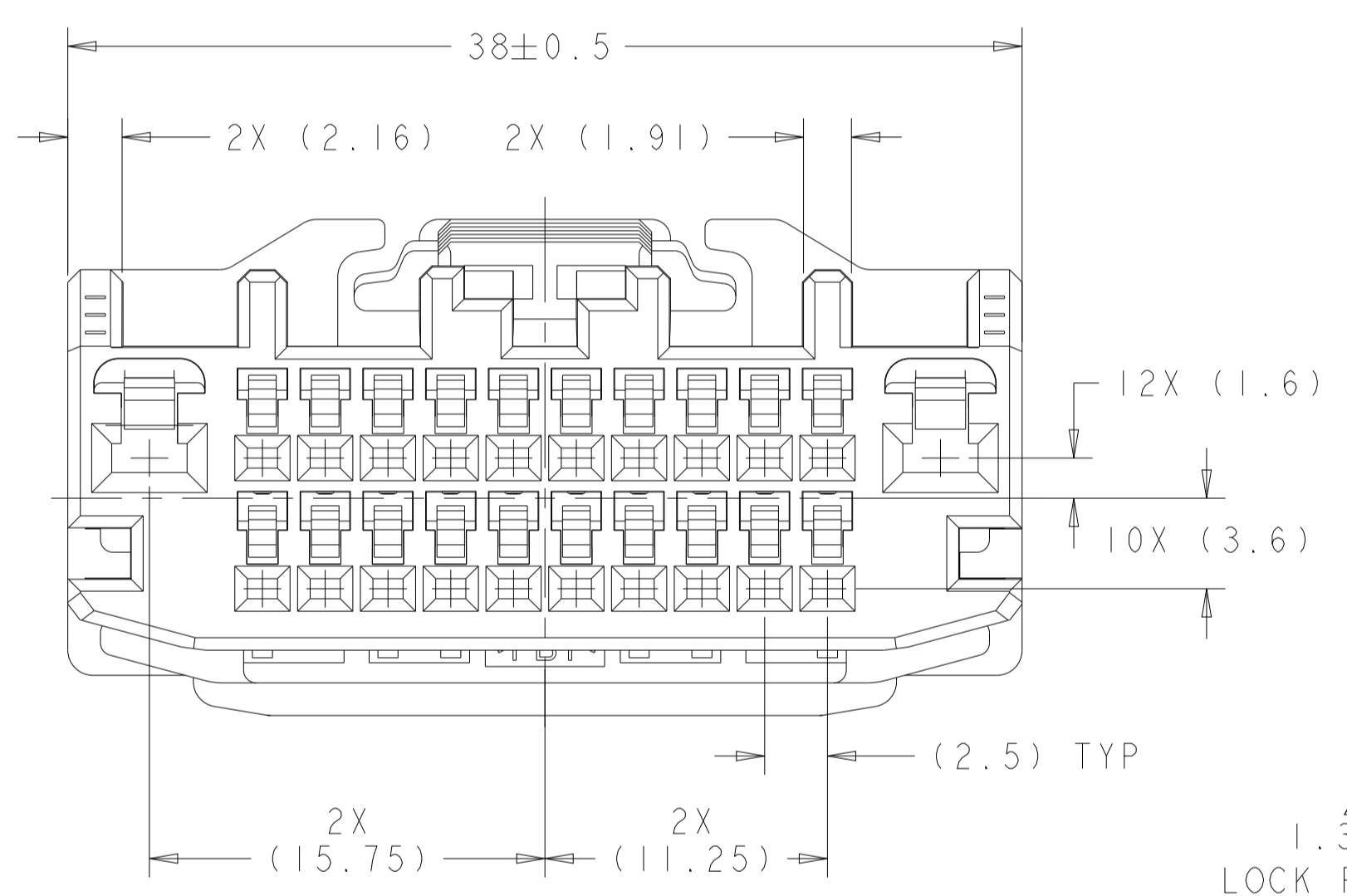


1438759-2
KEY "C"
BLACK



1438761-6
KEY "A"
GRAY

- APPLIED CONTACT PART NUMBERS:
175265 TIN PLATING, 040 CONTACT
175266 SELECT GOLD PLATING, 040 CONTACT
1326030 TIN PLATING, 2.8 CONTACT
- LOCK PLATE SHOWN IN THE SHIPPING POSITION.
- VISUAL BLEMISHES MAY BE PRESENT ON EXTERNAL SURFACES DUE TO BULK PACKAGING METHODS. THESE BLEMISHES THAT DO NOT AFFECT CONNECTOR FORM, FIT, OR FUNCTION ARE CONSIDERED ACCEPTABLE.
- LOCK PLATE COMPONENT FORCES:
INSERTION FORCE (SEATING): 75N MAX.
REMOVAL FROM PLUG HOUSING: 15N MIN.
- PRELIMINARY-NOT RELEASED TO PRODUCTION.



-KEY "1438759-1" SHOWN IN DETAILING-

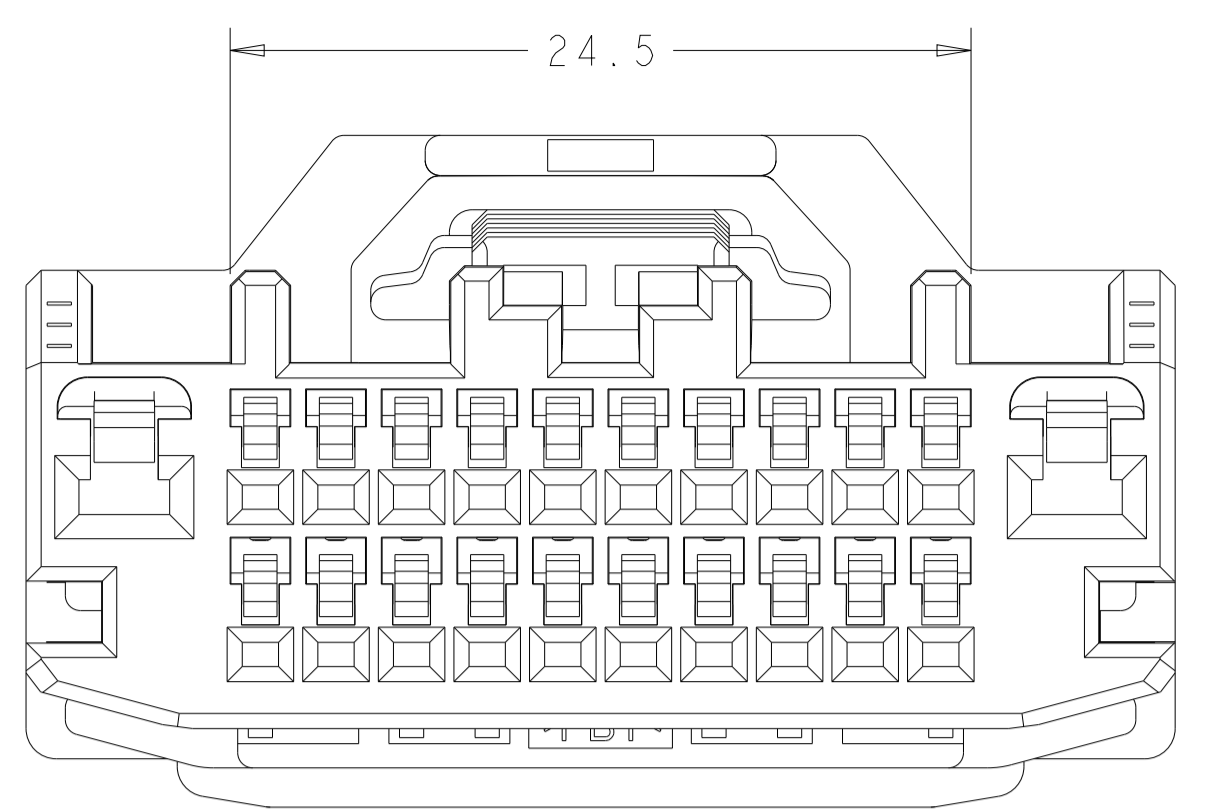
ALTERNATE LATCH BRIDGE	COLOR	KEY	PART NUMBER
SEE SHEET 2	GRAY	A	1-1438761-6
SEE SHEET 2	BLACK	C	1-1438759-2
SEE SHEET 2	WHITE	B	1-1438759-1
-	GRAY	A	1438761-6
-	BLACK	C	1438759-2
-	WHITE	B	1438759-1

THIS DRAWING IS A CONTROLLED DOCUMENT.

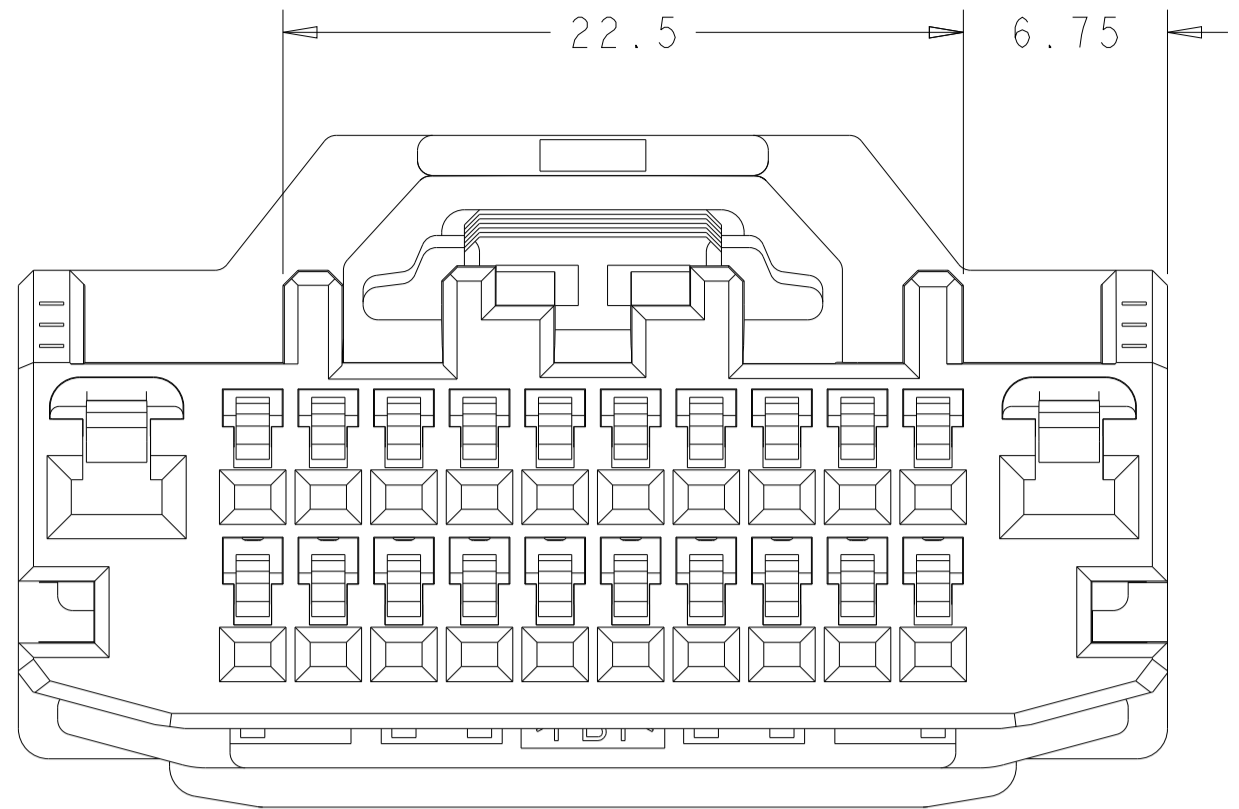
DIMENSIONS:	TOLERANCES UNLESS OTHERWISE SPECIFIED:	APVD	NAME
mm	0 PLC ±.3 2 PLC ±0.1 3 PLC ±.1 4 PLC ±.1 ANGLES ±°	T. MEHAFFEY	PLUG ASSEMBLY, 22-WAY HYBRID 040/2.8
MATERIAL:	FINISH:	SIZE	RESTRICTED TO
PBT	-	A100779	-

Customer Drawing SCALE 4:1 SHEET 1 OF 2 REV E1

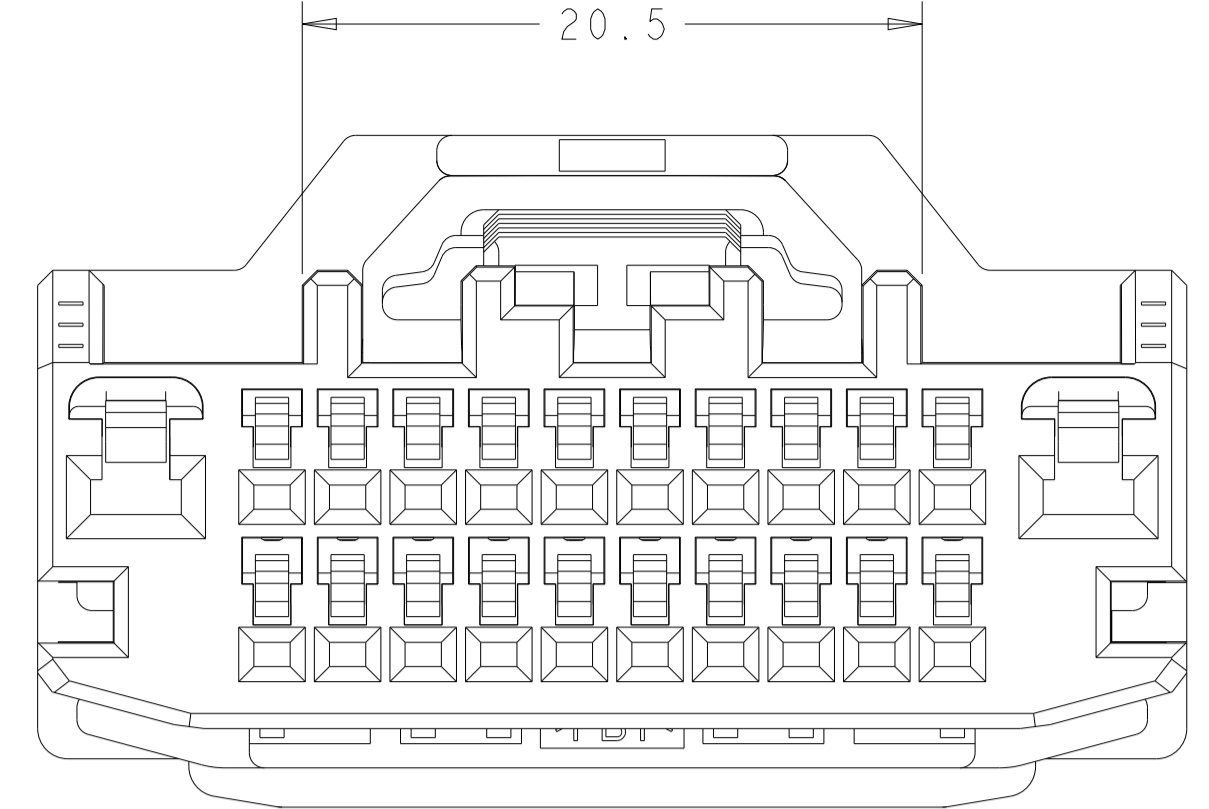
REVISIONS				
P.	LTN.	DESCRIPTION	DATE	APVD.
-	-	SEE SHEET 1	-	-



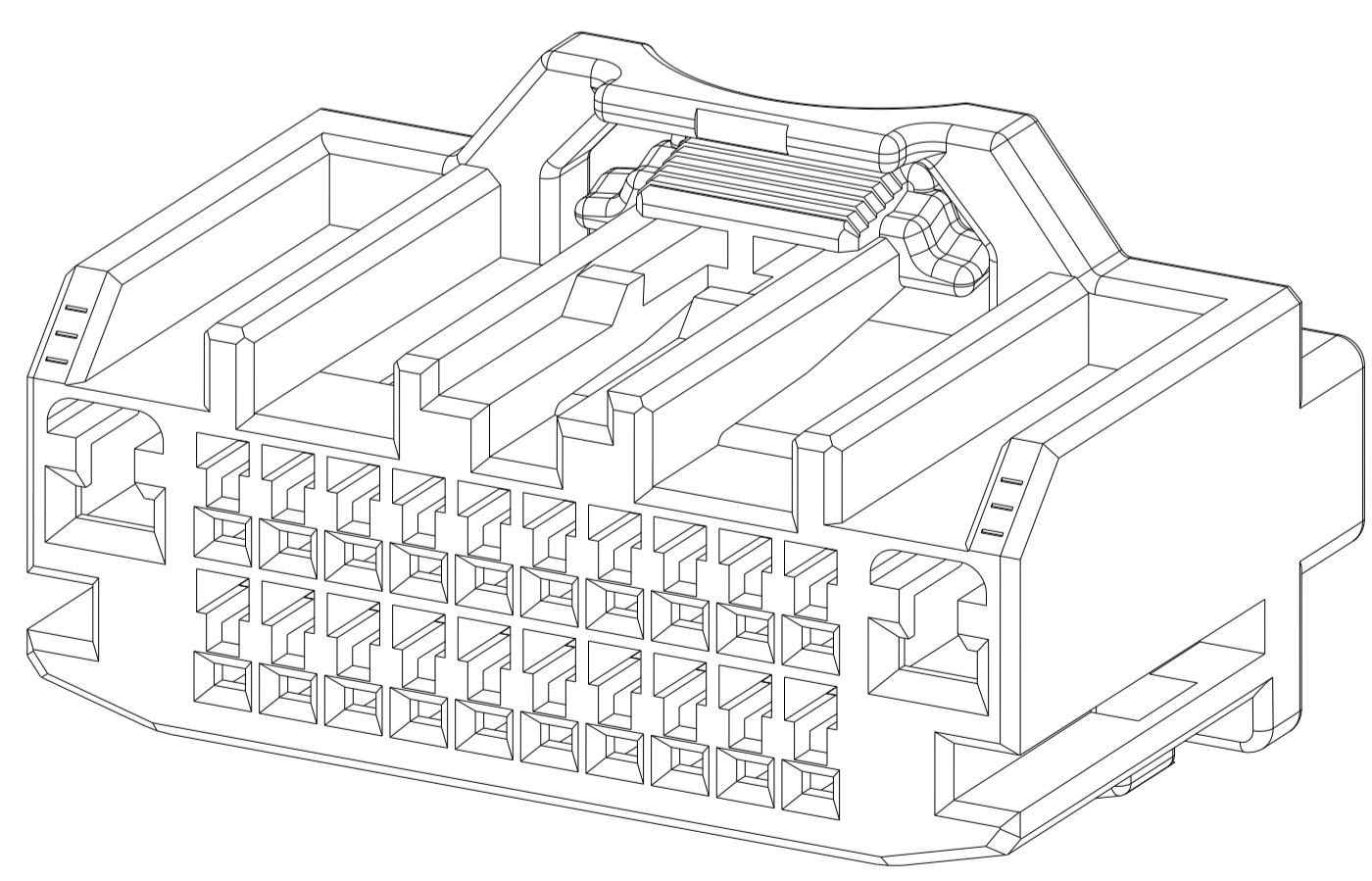
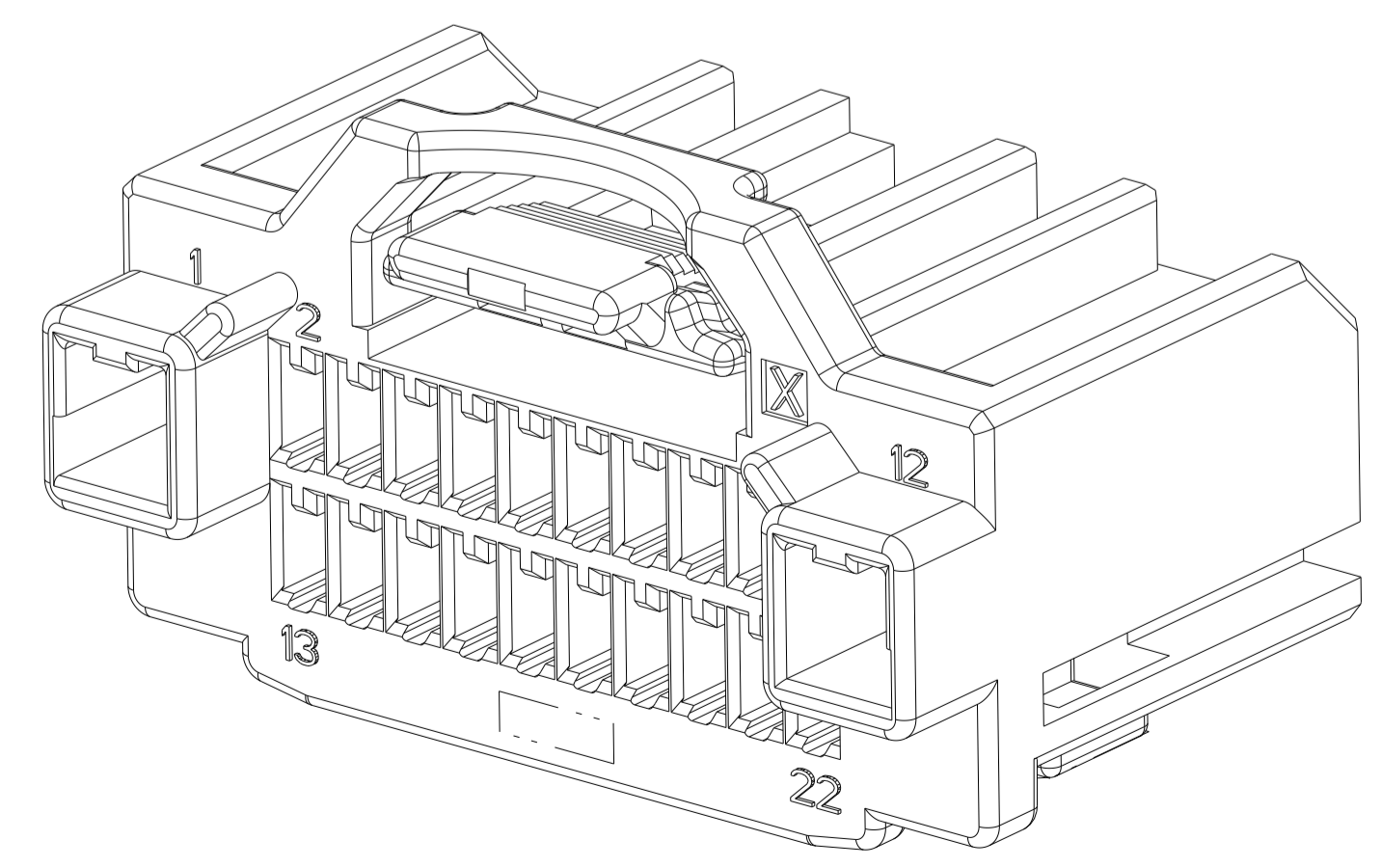
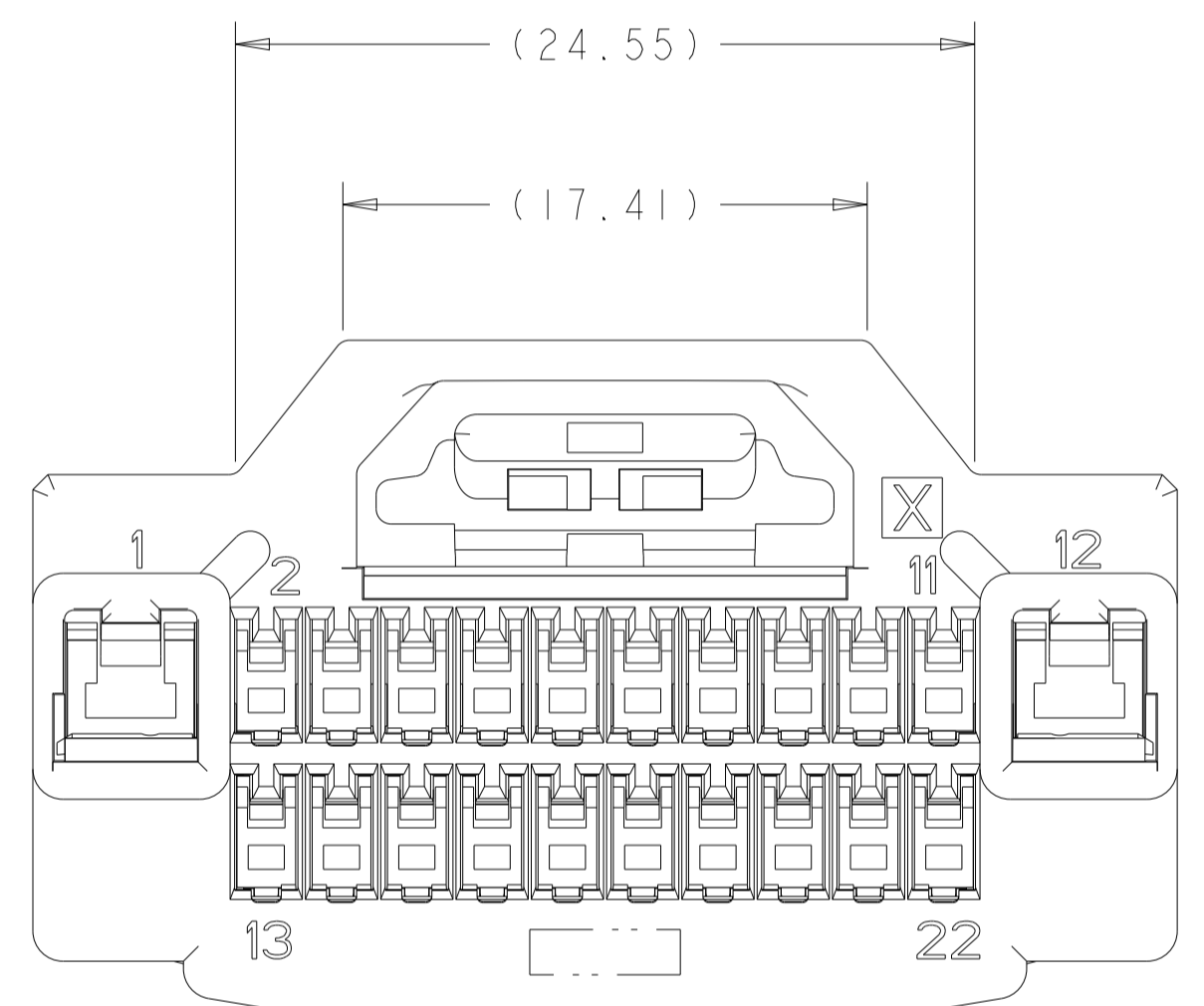
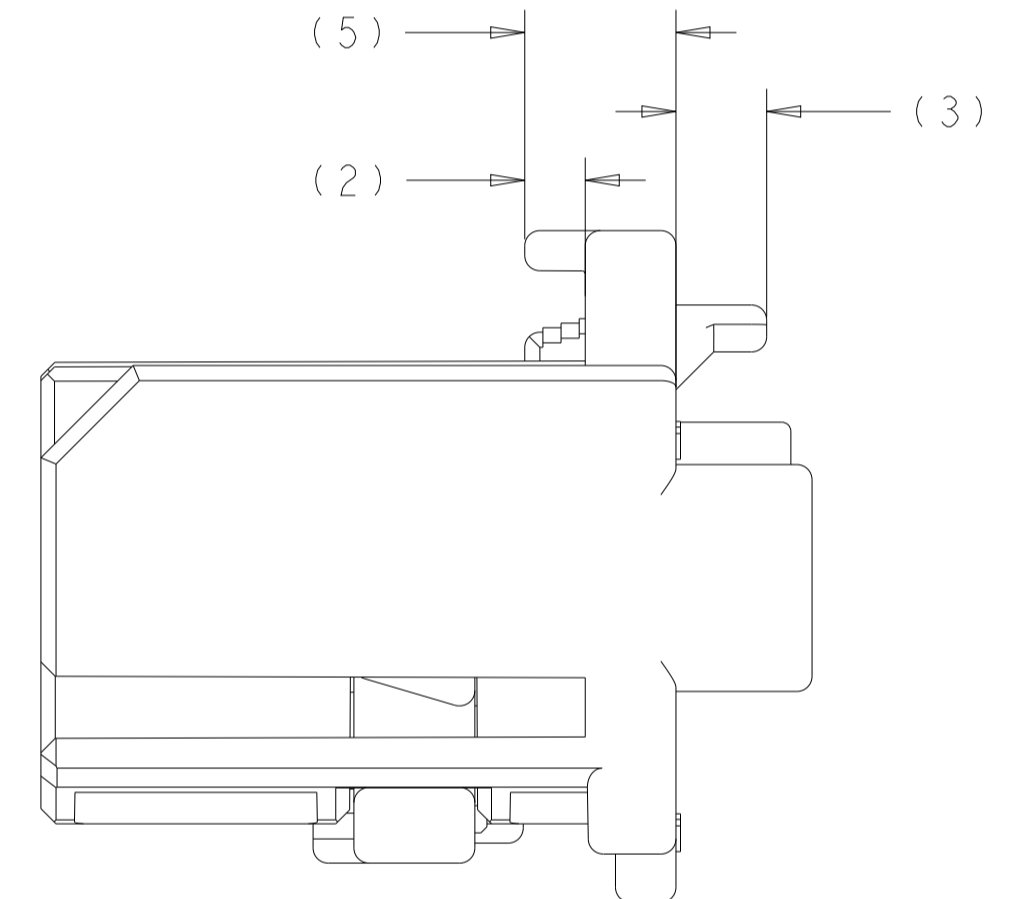
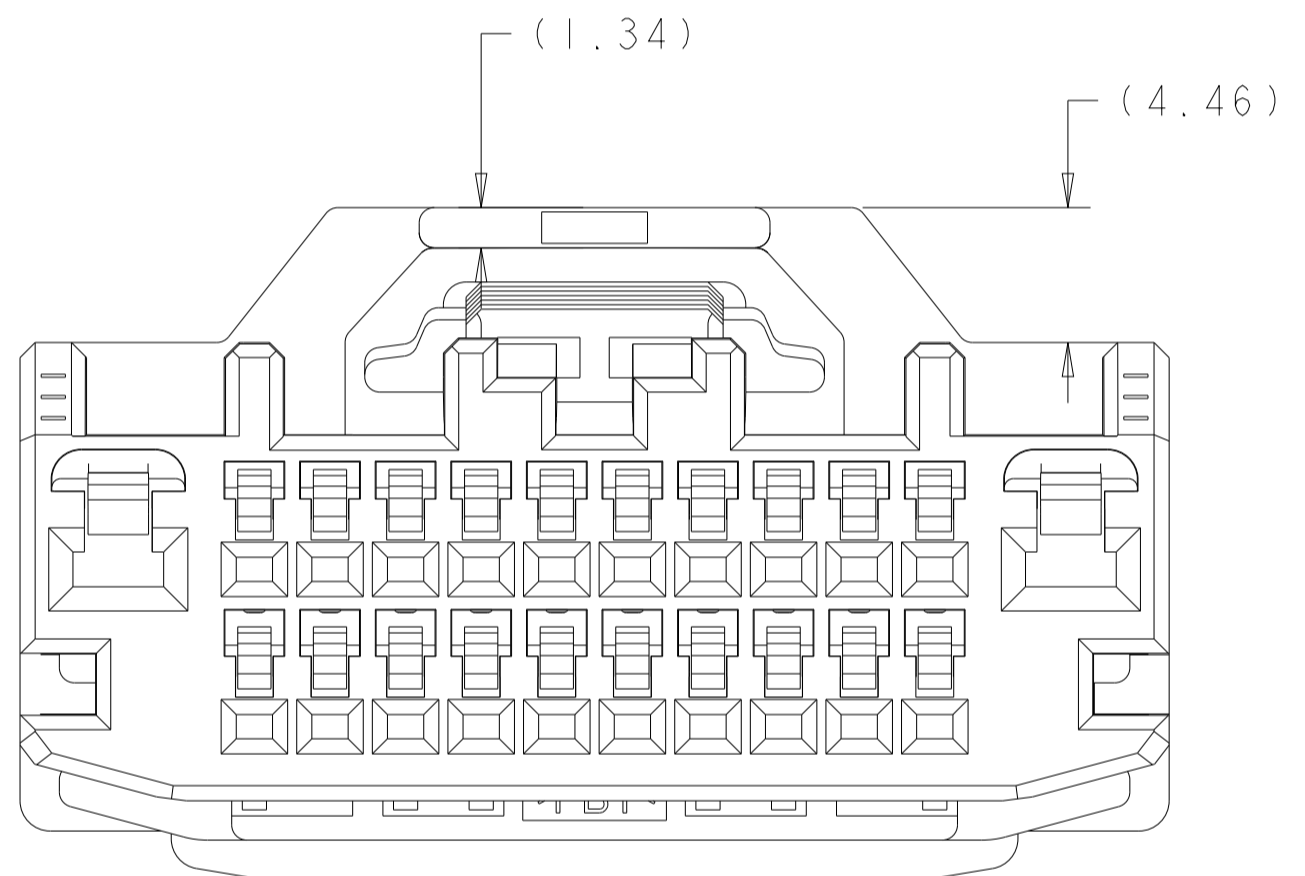
1-1438759-1
KEY "B"
WHITE



1-1438759-2
KEY "C"
BLACK



1-1438761-6
KEY "A"
GRAY



ALL DIMENSIONS ARE SAME AS WITHOUT LATCH BRIDGE VERSION EXCEPT THE DIMENSIONS SHOWN.

-KEY "1-1438759-1" SHOWN IN DETAILING-

THIS DRAWING IS A CONTROLLED DOCUMENT.		OWN: M. HITCHCOCK 16SEP2004	TE Connectivity
DIMENSIONS: mm		CHK: G. MARTIN 16SEP2004	
TOLERANCES UNLESS OTHERWISE SPECIFIED:		APVD: T. McHAFFEY 16SEP2004	NAME: PLUG ASSEMBLY, 22-WAY HYBRID 040/2.8
0 PLC	±	PRODUCT SPEC	SIZE: CAGE CODE DRAWING NO. RESTRICTED TO
1 PLC	±0.3	108-2217	A100779C=1438759
2 PLC	±0.1	APPLICATION SPEC	SCALE: 4:1 SHEET 2 OF 2 REV: E1
3 PLC	±	114-13158	
4 PLC	±	WEIGHT: -	
ANGLES	±*	Customer Drawing	
MATERIAL: PBT			